



A 20-40 S

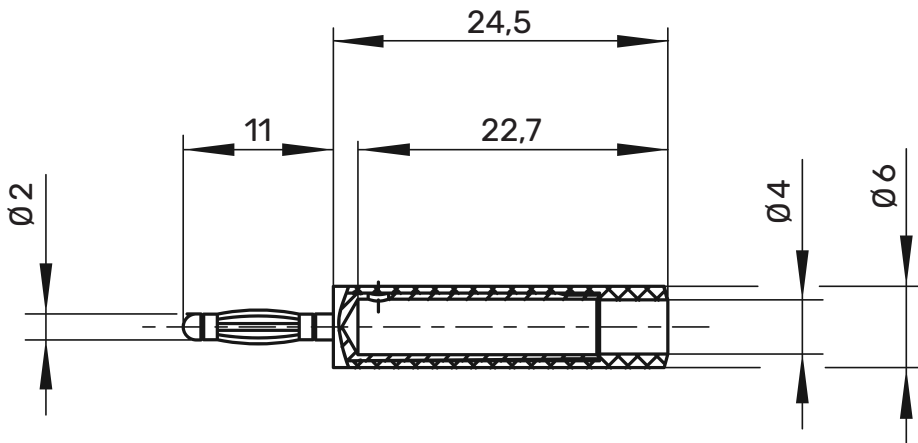
Adapter

2 mm

30 V_{AC} / 60 V_{DC}

10 A

- for adaption Ø 2 mm system to Ø 4 mm safety system



! WH 019



General information

Order No. ¹⁾	A 20-40 S Ni Au / ..(colour)
colours	black, red, blue, yellow, green, grey, brown, white, purple
contact parts	nickel-plated gold-plated
insulation	PA6.6 (UL94-V2)

Technical data

terminal	inline socket
transition resistance ⁴⁾	6 mΩ (Ni) 3 mΩ (Au)
rated voltage ²⁾	30 V _{AC} / 60 V _{DC}
rated current ²⁾	10 A
operating temperature	from -25 °C to +80 °C

¹⁾ other contact platings, colours and designs on request
²⁾ at normal ambient temperatures
⁴⁾ depending on contact plating

A 20-40 S

Ni

Au

●	SW	Schwarz	Black	99000019	99000024
●	RT	Rot	Red	99010621	99000023
●	BL	Blau	Blue	99000015	99000020
●	GE	Gelb	Yellow	99000016	99000021
●	GN	Grün	Green	99000017	99000022
●	GR	Grau	Grey	99016111	99016115
●	BR	Braun	Brown	99016112	99016116
○	WS	Weiß	White	99016113	99016117
●	VI	Violett	Purple	99016114	99016118