



A 40-20

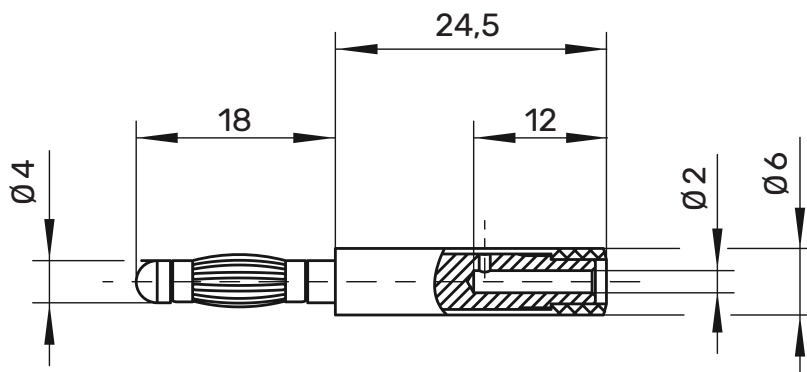
Adapter

2 mm

30 V_{AC} / 60 V_{DC}

10 A

- or adaption of Ø 4 mm system to Ø 2 mm system



! WH 019



General information

Order No. ¹⁾	A 40-20 Ni Au / ..(colour)
colours	black, red, blue, yellow, green, grey, brown, white, orange, purple
contact parts	nickel-plated gold-plated
insulation	PA6.6 (UL94-V2)

Technical data

terminal	inline socket
transition resistance ⁴⁾	6 mΩ (Ni) 3 mΩ (Au)
rated voltage ²⁾	30 V _{AC} / 60 V _{DC}
rated current ²⁾	10 A
operating temperature	from -25 °C to +80 °C

¹⁾ other contact platings, colours and designs on request
²⁾ at normal ambient temperatures
⁴⁾ depending on contact plating

A 40-20

Ni

Au

●	SW	Schwarz	Black	99000059	99000064
●	RT	Rot	Red	99010516	99016123
●	BL	Blau	Blue	99000055	99000060
●	GE	Gelb	Yellow	99000056	99000061
●	GN	Grün	Green	99000057	
●	GR	Grau	Grey	99016119	99016124
●	BR	Braun	Brown	99016120	99016125
○	WS	Weiß	White	99016121	99016126
●	VI	Violett	Purple	99016122	99016127
●	OR	Orange	Orange		