



A 40-40 S

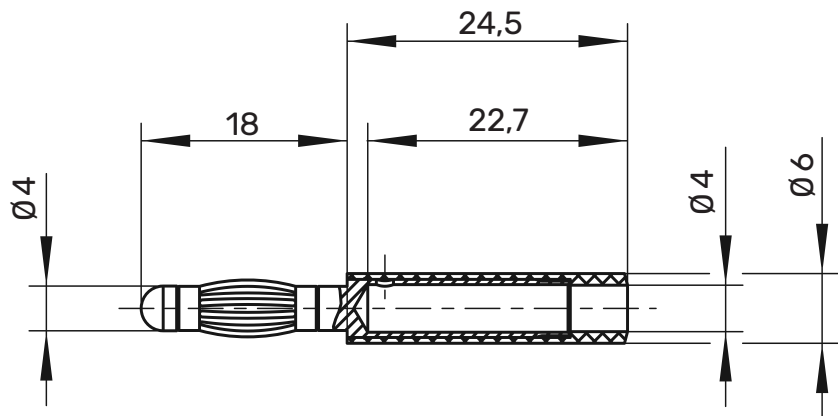
Adapter

4 mm

30 V_{AC} / 60 V_{DC}

32 A

- for adaption from Ø 4 mm system to Ø 4 mm safety system



⚠ WH 020



General information

| | |
|-------------------------|---|
| Order No. ¹⁾ | A 40-40 S Ni Au / ..(colour) |
| colours | black, red, blue, yellow, green, grey, brown, white, purple |
| contact parts | nickel-plated gold-plated |
| insulation | PA6.6 (UL94-V2) |

Technical data

| | |
|-----------------------------|---|
| terminal | inline socket |
| transition resistance | 6 mΩ (Ni) 3 mΩ (Au) |
| rated voltage ²⁾ | 30 V _{AC} / 60 V _{DC} |
| rated current ²⁾ | 32 A |
| operating temperature | from -25 °C to +80 °C |

¹⁾ other contact platings, colours and designs on request
²⁾ at normal ambient temperatures

A 40-40 S

Ni

Au

| | | | | | |
|---|----|---------|--------|----------|----------|
| ● | SW | Schwarz | Black | 99000083 | 99000088 |
| ● | RT | Rot | Red | 99000082 | 99000087 |
| ● | BL | Blau | Blue | 99000079 | 99000084 |
| ● | GE | Gelb | Yellow | 99000080 | 99000085 |
| ● | GN | Grün | Green | 99000081 | 99000086 |
| ● | GR | Grau | Grey | 99013278 | |
| ● | BR | Braun | Brown | 99013277 | |
| ○ | WS | Weiß | White | 99013281 | |
| ● | VI | Violett | Purple | 99013280 | |