



A 2116

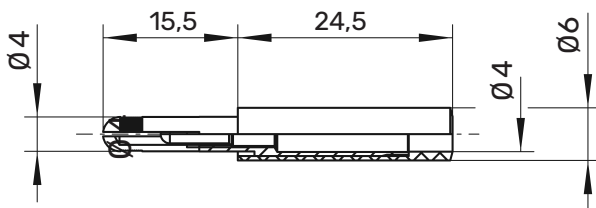
Sicherheits-Umrüstadapter

4 mm Sicherheit

1000 V CAT II

32 A

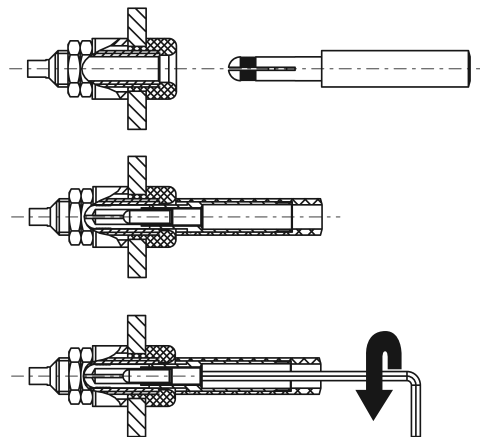
- The safety adapter can be fitted into all \varnothing 4 mm sockets. This ensures compatibility with safety measuring leads with rigid sleeves. By screwing a locking screw (SW 1.5) into the splay plug, the safety adapter can be tightly connected to the \varnothing 4 mm socket. The safety adapter can then no longer be removed without tools.



- Please note the technically required left-handed thread of the hexagonal socket screw. The existing socket body cannot be screwed out of its insulating head when tightening the screw. When installing the safety adapter please heed the five safety rules as stipulated in DIN VDE 0105-100. In short:

1. Disconnect
2. Secure against restoration of power
3. Establish that voltage is cut off
4. Earthing and short-circuiting
5. Cover or enclose adjacent live parts

The air gaps and creep paths given for the appliances for the installed socket must also be taken into consideration when using the safety adapter. These may determine the operating voltage



! WH 002



General information

Order No. ¹⁾	A 2116 Ni ...(colour)
colours	black, red, blue, yellow, green
contact parts	nickel-plated
insulation	PA6.6 (UL94-V2)

Technical data

terminal	see assembly instructions
transition resistance ⁴⁾	5 m Ω (Ni)
rated voltage ²⁾	1000 V CAT II
rated current ²⁾	32 A
operating temperature	from -25 °C to +80 °C

¹⁾ other colours on request
²⁾ at normal ambient temperatures
⁴⁾ depending on appliance

A 2116

Ni

●	SW	Schwarz	Black	99000029
●	RT	Rot	Red	99000028
●	BL	Blau	Blue	99000027
●	GE	Gelb	Yellow	99009477
●	GN	Grün	Green	99015336