



## BRST 7922

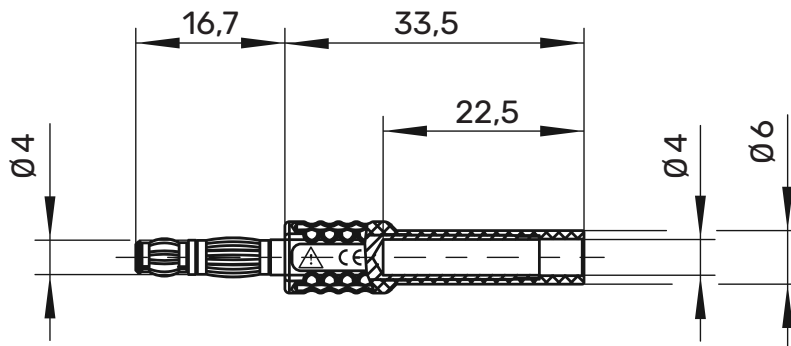
### Brückenstecker

4 mm

30 V<sub>AC</sub> / 60 V<sub>DC</sub>

16 A

- or connecting both poles of our connecting sockets with a socket Ø 4 mm
- for our connecting socket BRBU 7924 L .. / ..(colour)



! WH 003



### General information

Order No.<sup>1)</sup> **BRST 7922 Ni ... (colour)**

colours black, red

contact parts nickel-plated

insulation PA6.6 (UL94-V2)

### Technical data

terminal inline socket

transition resistance 6 mΩ (Ni)

rated voltage<sup>2)</sup> 30 V<sub>AC</sub> / 60 V<sub>DC</sub>

rated current<sup>2)</sup> 16 A

operating temperature from -25 °C to +80 °C

<sup>1)</sup> other contact platings, colours and terminals on request  
<sup>2)</sup> at normal ambient temperatures

**BRST 7922**

Ni

---

|   |    |         |       |          |
|---|----|---------|-------|----------|
| ● | SW | Schwarz | Black | 99017015 |
| ● | RT | Rot     | Red   | 99016661 |

---