

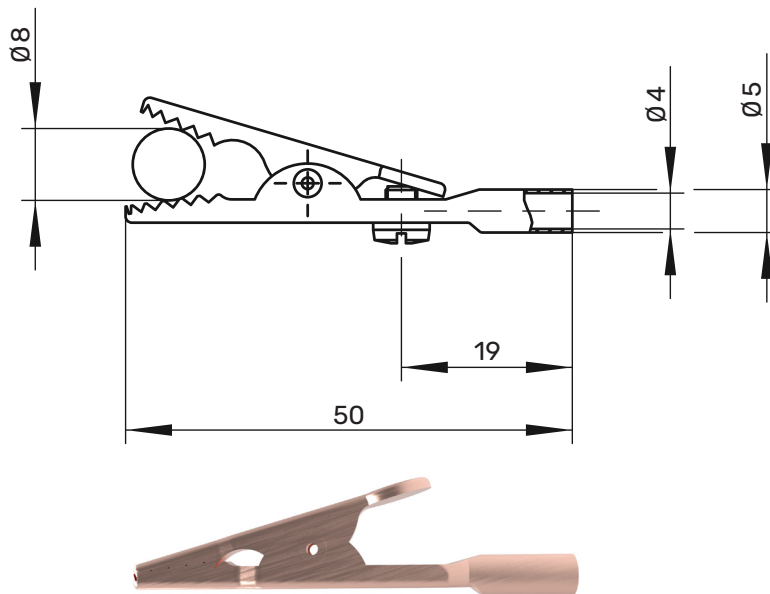
AK 4732 Crocodile clip

Ø 4mm

30 V_{AC} / 60 V_{DC}

10 A

- not insulated
- socket terminal Ø 4 mm and additional screw terminal
- contact: crocodile jaws
- contact material: solid copper
- Protective flexible vinyl insulator available (TÜ 4023)



! WH 019



General information

Order No.¹⁾ **AK 4732 Cu**

contact parts **solid copper**

Technical data

| | |
|-----------------------------|---|
| terminal | inline socket |
| grips up to | Ø 8 mm |
| transition resistance | 5 mΩ (Cu) |
| rated voltage ²⁾ | 30 V _{AC} / 60 V _{DC} |
| rated current ²⁾ | 10 A |
| operating temperature | from -25 °C to +80 °C |

¹⁾ other designs on request
²⁾ at normal ambient temperatures

AK 4732

Cu

99010138