



POL 102 L

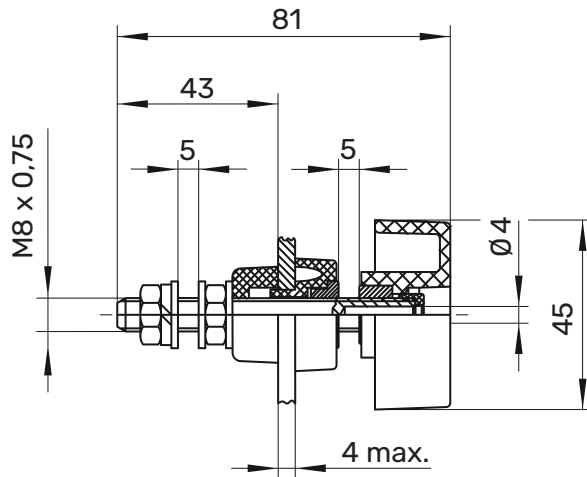
Terminal post

Ø 4mm

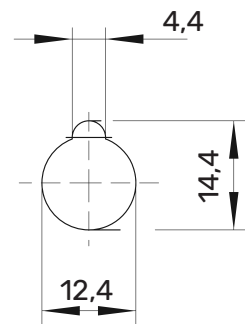
1000 V

100 A

- with unscrewable toggle head
- max. conducting wall thickness 4 mm



Montagebohrung / hole:



General information

Order No. ¹⁾	POL 102 L / ..(colour)
colours	black, red, blue, yellow, green, green-yellow
contact parts	brass
insulation	polycarbonate

Technical data

terminal	M8 x 0,75, solder lug, cable lug, inline socket
transition resistance	0,4 mΩ
rated voltage ²⁾	1000 V
rated current ²⁾¹⁰⁾	100 A
operating temperature	from -25 °C to +115 °C
max. torque	600 Ncm
fastening nut	

¹⁾ other designs on request
²⁾ at normal ambient temperatures
¹⁰⁾ plug connection max. 16 A

POL 102 L

Ms

 SW	Schwarz	Black	99015079
 RT	Rot	Red	99015080
 BL	Blau	Blue	99015081
 GE	Gelb	Yellow	99015082
 GN	Grün	Green	99015083
 GNGE	Grüngelb	Green-yellow	99015315