



POL 201 L

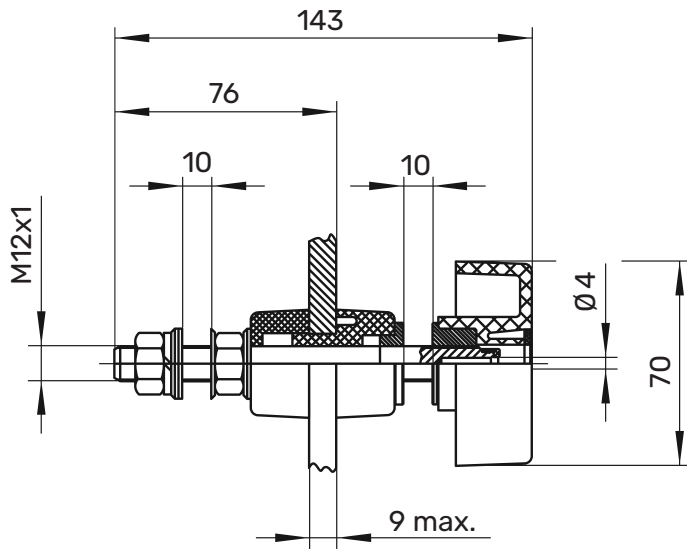
Polklemme

Ø 4mm

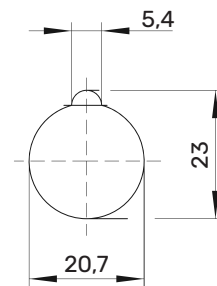
1000 V

200 A

- with uncrewable toggle head
- max. conducting wall thickness 9 mm



Montagebohrung / hole:



General information

Order No. ¹⁾	POL 201 L / ..(colour)
colours	black, red, blue, yellow, green, green-yellow
contact parts	brass
insulation	polycarbonate

Technical data

terminal	M12 x 1, solder lug, cable lug, inline socket
transition resistance	0,3 mΩ
rated voltage ²⁾	1000 V
rated current ²⁾	200 A
operating temperature	from -25 °C to +115 °C
max. torque	1500 Ncm
fastening nut	

¹⁾ other designs on request
²⁾ at normal ambient temperatures

POL 201 L

Ms

 SW	Schwarz	Black	99004006
 RT	Rot	Red	99004005
 BL	Blau	Blue	99008547
 GE	Gelb	Yellow	99010770
 GN	Grün	Green	99007005
 GNGE	Grüngelb	Green-yellow	99011046