



POL 6718

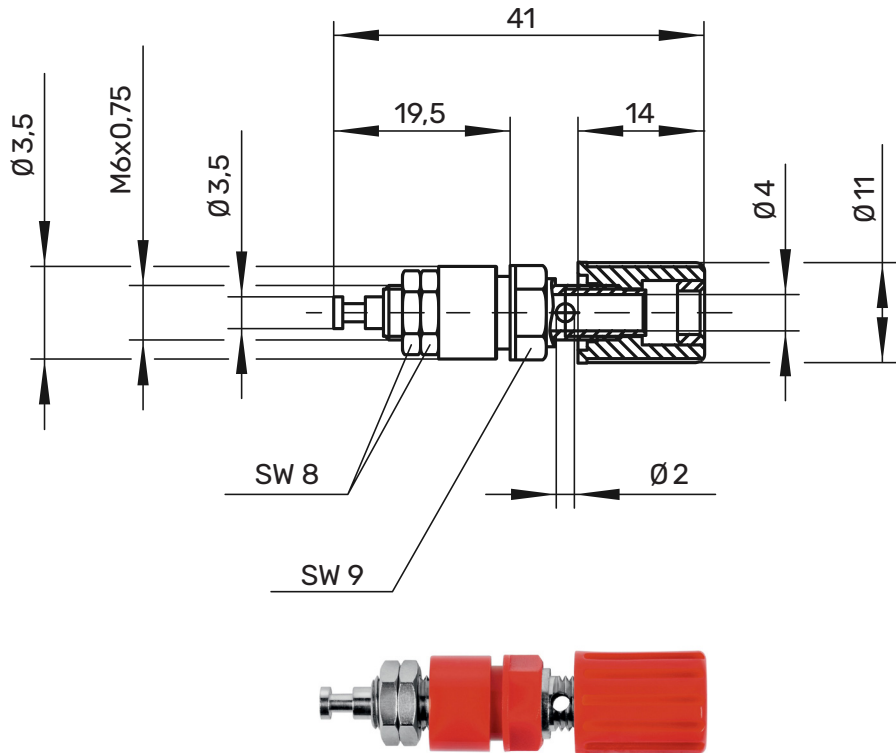
Terminal post

Ø 4 mm

30 V_{AC} / 60 V_{DC}

36 A

- socket Ø 4 mm
- with radial cable quick terminal Ø 2 mm
- with captive head
- hole Ø 6+0.1 mm



General information

Order No. ¹⁾	POL 6718 Ni/ ...(colour)
colours	black, red, blue, yellow, green
contact parts	nickel-plated
insulation	POM (Polyoxymethylen)

Technical data

terminal	solder terminal, solder lug or cable lug, M6 x0.75
transition resistance	20 mΩ
rated voltage ²⁾	30 V _{AC} / 60 V _{DC}
rated current ²⁾	36 A
operating temperature	from -20 °C to +80 °C
max. torque	200 Ncm
fastening nut	

¹⁾ other contact platings, colours, designs and terminals on request
²⁾ at normal ambient temperatures

POL 6718

Ni

●	SW	Schwarz	Black	99013319
●	RT	Rot	Red	99013320
●	BL	Blau	Blue	99013481
●	GE	Gelb	Yellow	99013482
●	GN	Grün	Green	99013483