



POL 8760 L

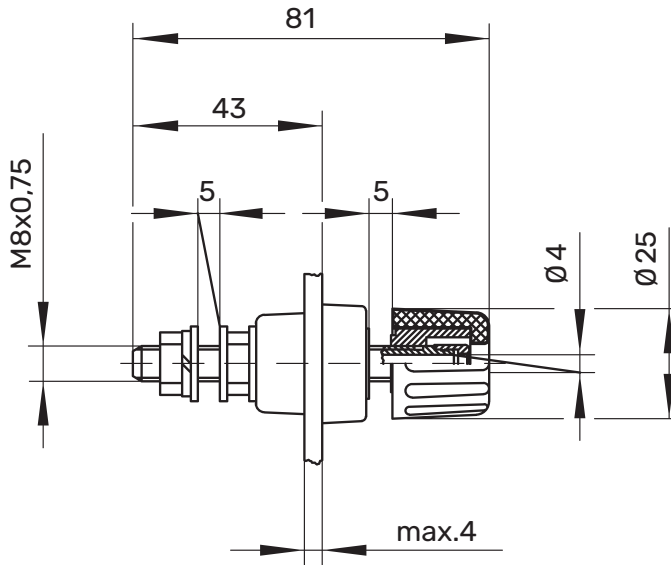
Terminal post

Ø 4 mm

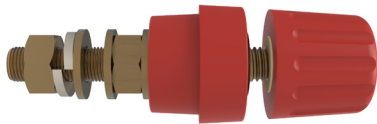
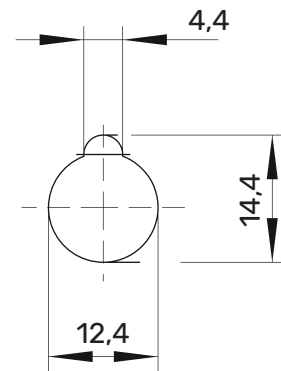
1000 V

100 A

- with unscrewable toggle head
- max. conducting wall thickness 4 mm
- mounting auxiliary tool: special tool MWZ 8760 / POL
- Plug-in option for a 4 mm plug



Montagebohrung / hole:



! WH 040



General information

Order No.¹⁾ **POL 8760 L/ ...(colour)**

colours black, red

contact parts **brass**

insulation polycarbonate

Technical data

terminal M8 x 0,75, solder lug, cable lug, inline socket

transition resistance 0,4 mΩ

rated voltage²⁾ 1000 V

rated current^{2) 10)} 100 A

operating temperature from -25 °C to +115 °C

max. torque 600 Ncm

fastening nut

¹⁾ other designs on request
²⁾ at normal ambient temperatures
¹⁰⁾ plug connection max. 16 A

POL 8760 L

Ms

●	SW	Schwarz	Black	99019441
●	RT	Rot	Red	99019442