



## ESD 6554

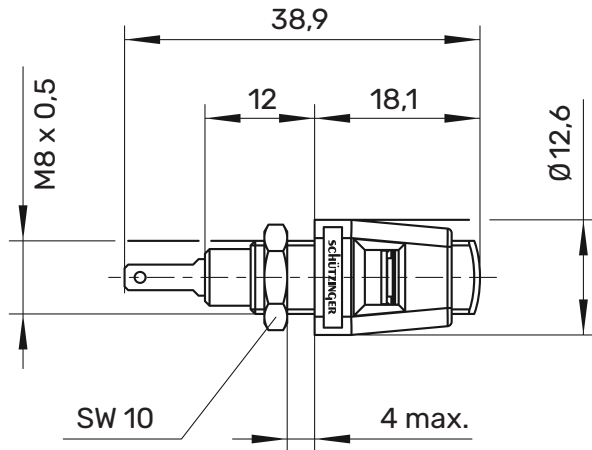
Quick-release terminal

Ø 4mm

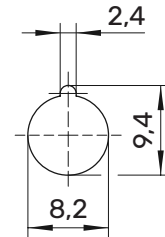
30 V<sub>AC</sub> / 60 V<sub>DC</sub>

5 A

- fully insulated for metal panels



Montagebohrung/hole



### General information

Order No. <sup>1)</sup>	<b>ESD 6554 / ..(colour)</b>
colours	black, red, blue, yellow, green, grey, brown, white, orange, green-yellow
contact parts	nickel-plated
insulation	PA 6.6 (UL94-V2)

### Technical data


terminal	FSH 2,8 x 0,5 oder Löten
transition resistance	5 mΩ
rated voltage <sup>2)</sup>	30 V <sub>AC</sub> / 60 V <sub>DC</sub>
rated current <sup>2)</sup>	5 A
operating temperature	von -25 °C bis +90 °C
panel thickness	0,8 mm-4 mm
insertion window	6 mm x 3,7 mm
tab	2,8 mm x 0,5 mm
spring force	12 N
max. torque	30 Ncm
fastening nut	

<sup>1)</sup> other colours, terminals and springs on request

<sup>2)</sup> at normal ambient temperatures

**ESD 6554**

Ni

	<b>SW</b>	<b>Schwarz</b>	<b>Black</b>	99013072
	<b>RT</b>	<b>Rot</b>	<b>Red</b>	99013100
	<b>BL</b>	<b>Blau</b>	<b>Blue</b>	99013776
	<b>GE</b>	<b>Gelb</b>	<b>Yellow</b>	99013777
	<b>GN</b>	<b>Grün</b>	<b>Green</b>	99013778
	<b>GR</b>	<b>Grau</b>	<b>Grey</b>	99016329
	<b>BR</b>	<b>Braun</b>	<b>Brown</b>	99013779
	<b>WS</b>	<b>Weiß</b>	<b>White</b>	99013780
	<b>OR</b>	<b>Orange</b>	<b>Orange</b>	99017042
	<b>GNGE</b>	<b>Grüngelb</b>	<b>Green-yellow</b>	99013781