



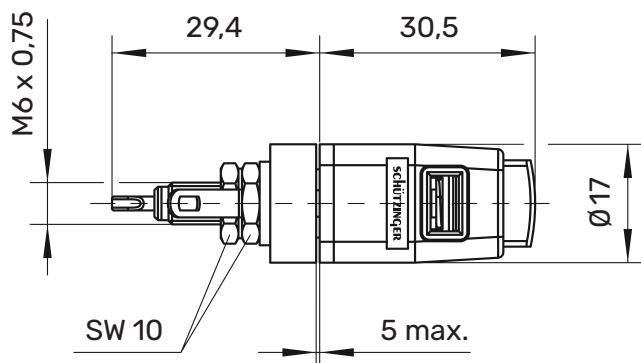
## KSDK 7730

### Kelvin quick-release terminal

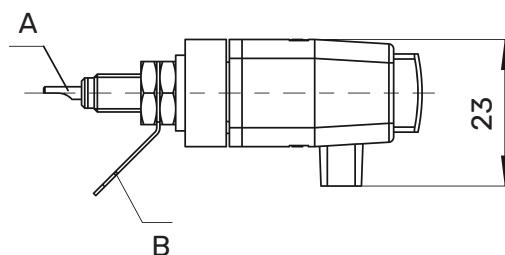
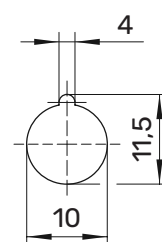
Kelvin

30 V<sub>AC</sub> / 60 V<sub>DC</sub>

- fully insulated for metal panels
- this kelvin quick-release terminal has been especially developed for four-wire measurement



#### Montagebohrung



#### General information

Order No. <sup>1)</sup> **KSDK 7730 Ni/ ...(colour)**

colours black, red

contact parts nickel-plated

insulation PA 6.6 (Polyamid)

#### Technical data

terminal solder terminal, solder lug or cable lug

rated voltage <sup>2)</sup> 30 V<sub>AC</sub> / 60 V<sub>DC</sub>

rated current A <sup>2)</sup> 1 A

rated current B <sup>2)</sup> 16 A

operating temperature from -25 °C to +90 °C

panel thickness 0,8 mm-5 mm

insertion window 8 mm x 4 mm

spring force 20 N

max. torque 120 Ncm

fastening nut

<sup>1)</sup> other colours, terminals and springs (approx. 15 N or 33 N) on request

<sup>2)</sup> at normal ambient temperatures

**KSDK 7730**

Ni

●	SW	Schwarz	Black	99016294
●	RT	Rot	Red	99016307