

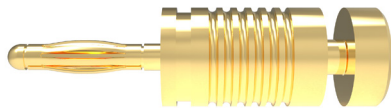
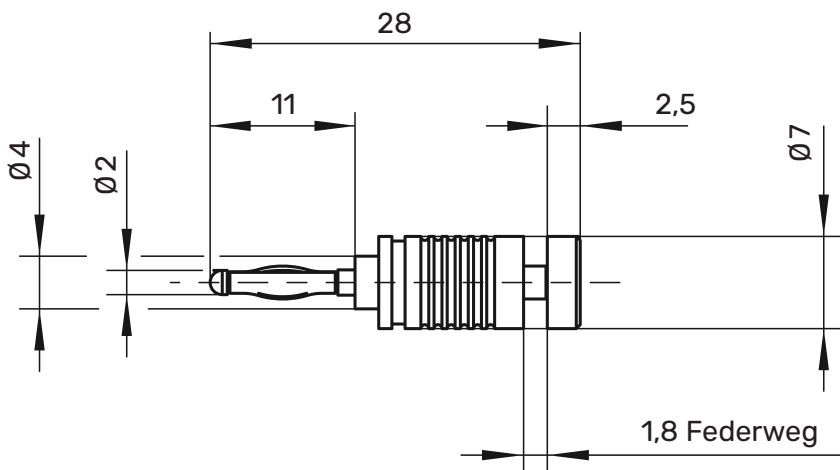
FKK 6166 Spring-Terminal

Ø 2mm

30 V_{AC} / 60 V_{DC}

10 A

- spring-terminal, suitable for very thin wires and strands
- not insulated
- to plug into Ø 2 mm sockets
- spring force 7 N



General information

Order No.¹⁾ **FKK 6166 Au**

contact parts **gold-plated**

Technical data

terminal	plug
transition resistance	< 3 mΩ
rated voltage ²⁾	30 V _{AC} / 60 V _{DC}
rated current 2) ²⁾	10 A
operating temperature	von -40 °C bis +110 ° C

¹⁾ other contact platings and designs on request
²⁾ at normal ambient temperatures

FKK 6166

Au

99011609