



SDK 5230

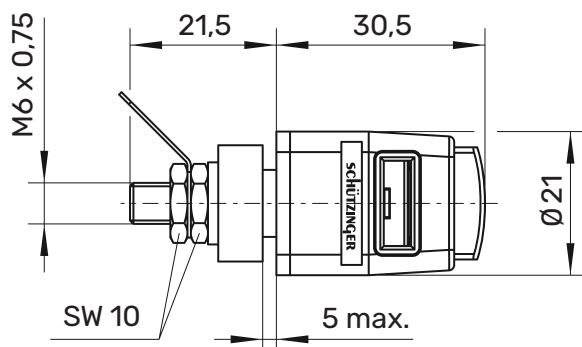
Safety quick-release terminal

Ø 4mm safety

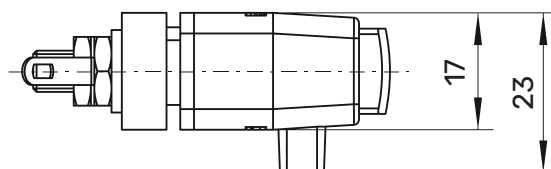
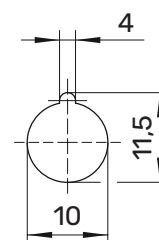
300 V CAT II

16 A

- fully insulated for metal panels



Montagebohrung



General information

Order No. ¹⁾	SDK 5230 Ni / ...(colour)
colours	black, red, blue, yellow, green, grey, brown, white, purple, green-yellow
contact parts	nickel-plated
insulation	PA 6.6 (Polyamid)



Technical data

terminal	solder or cable lug
transition resistance	5 mΩ
rated voltage ²⁾	300 V CAT II
rated current ²⁾	16 A
operating temperature	from -25 °C to +90 °C
panel thickness	0,8 mm-5 mm
insertion window	12,5 mm x 4 mm
spring force	20 N
max. torque	120 Ncm
fastening nut	

¹⁾ other colours, terminals and springs (approx. 15 N or 33 N) on request
²⁾ at normal ambient temperatures

SDK 5230

Ni

	SW	Schwarz	Black	99010761
	RT	Rot	Red	99010762
	BL	Blau	Blue	99011852
	GE	Gelb	Yellow	99011853
	GN	Grün	Green	99011854
	GR	Grau	Grey	99014955
	BR	Braun	Brown	99011856
	WS	Weiß	White	99011857
	VI	Violett	Purple	99014956
	GNGE	Grüngelb	Green-yellow	99011855