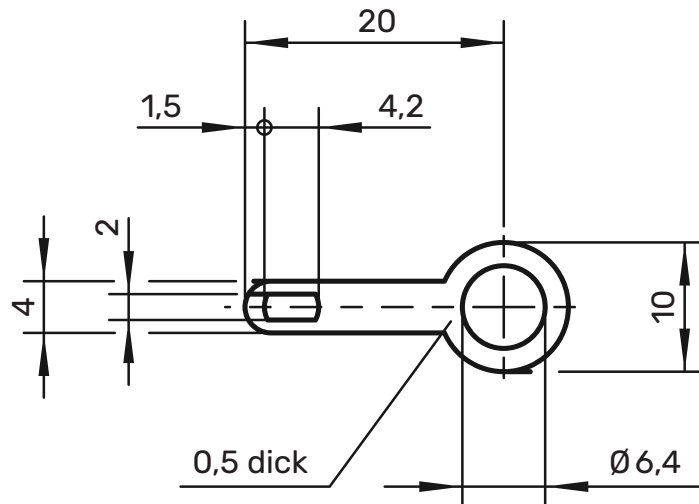


LOE 6.4 x 20

Solder log

- accessory to products IBU 401, BU 403, BU 404, BU 405, SDK 503, SDK 504, SDK 800, SDK 801, SDK 5230



General information

Order No.³⁾ **LOE 6.4x20**
 contact parts tin-plated

Technical data

Anschluss solder
 Betriebstemperatur from -40 °C to +110 °C



SCHÜTZINGER

LOE 6.4 x 20

99002413