



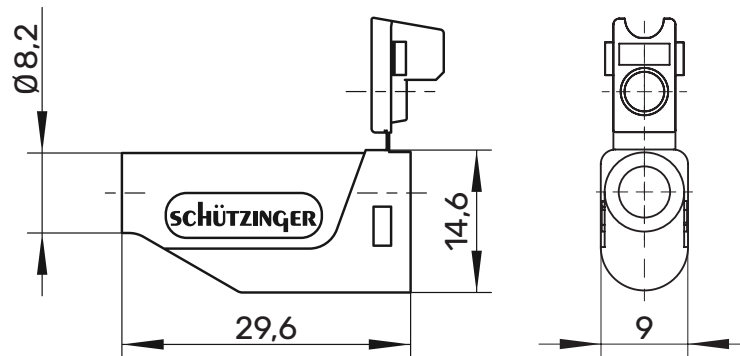
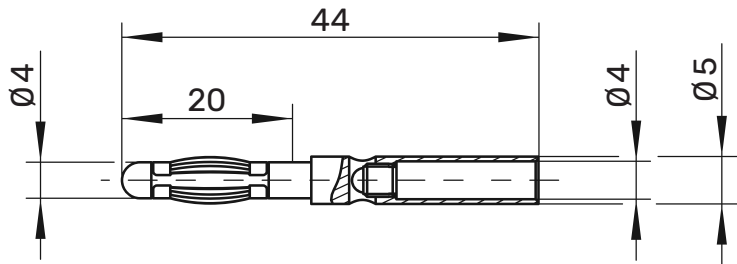
FK 15 L

Lamella-basket plug

Ø 2mm

30 V_{AC} / 60V_{DC}

- straight, with inline socket and solder terminal for cables from 1 - 2,5 mm²
- with sleeve, unassembled



General information

Order No. ¹⁾	FK 15 L Ni Au / ..(colour)
colours	black, red, blue, yellow, green, grey, brown, white, purple
contact parts	vernickelt vergoldet
sleeves	PA6.6 (UL94-V2)

Technical data

terminal	solder from 1 - 2,5 mm ²
for wire cross-section	up to 2,5 mm ²
for cable diameter	up to 4 mm
transition resistance	3 mΩ (Ni) 2 mΩ (Au)
rated voltage ²⁾	30 V _{AC} / 60 V _{DC}
rated current ²⁾	depending on the wire cross-section
operating temperature	from -25 °C to +75 °C

¹⁾ andere Kontaktflächen, Farben und Griffhülsen für andere Leitungsdurchmesser auf Anfrage

²⁾ bei normalen Umgebungstemperaturen

FK 15 L				Ni	Au
●	SW	Schwarz	Black	99022511	99022525
●	RT	Rot	Red	99022512	99022526
●	BL	Blau	Blue	99022513	99022527
●	GE	Gelb	Yellow	99022514	99022528
●	GN	Grün	Green	99022515	99022529
●	GR	Grau	Grey		
●	BR	Braun	Brown		
○	WS	Weiß	White		
●	VI	Violett	Purple		