

ABNC 7007

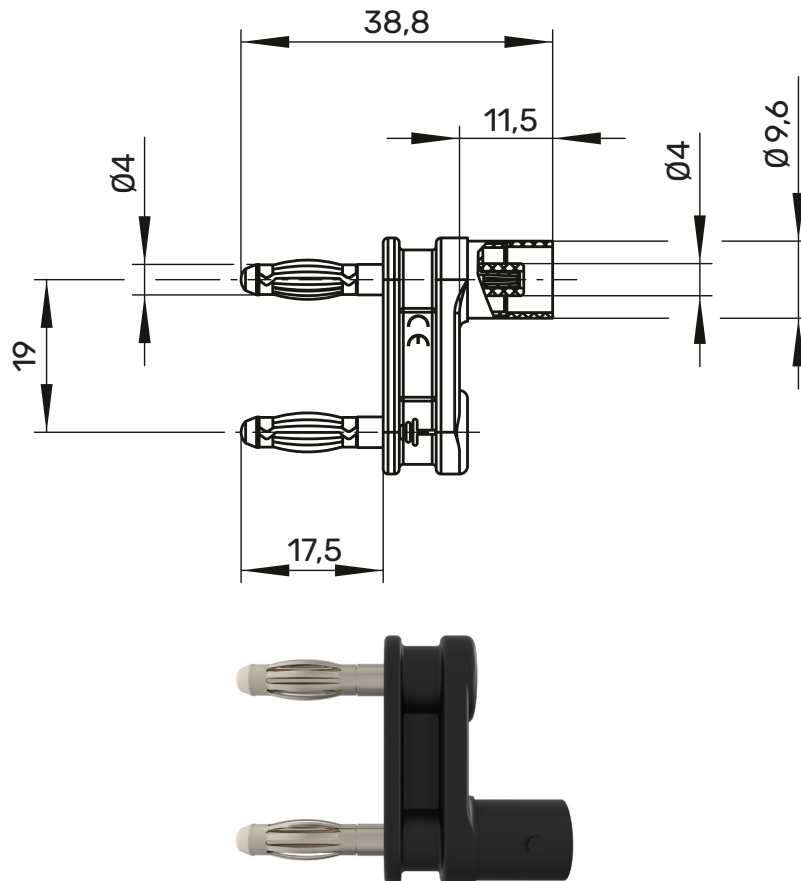
Adapter BNC

BNC

30 V_{AC} / 60 V_{DC}

< 3 A

- moulded insulation
- for adaption from 4 mm system to BNC system
- Ø 4 mm lamella-basket plugs to safety BNCsocket



General information

Order No. ¹⁾	ABNC 7007 / F / SW
colours	black
contact parts	nickel-plated
insulation	Polyamid

Technical data

terminal	safety BNC socket
transition resistance	< 0,8 mΩ
rated voltage ²⁾	30 V _{AC} / 60 V _{DC}
rated current ²⁾	< 3 A
operating temperature	from -20 °C to +80 °C

²⁾ at normal ambient temperatures

ABNC 7007

Ni



SW

Schwarz

Black

99014017