

SABNC 7006

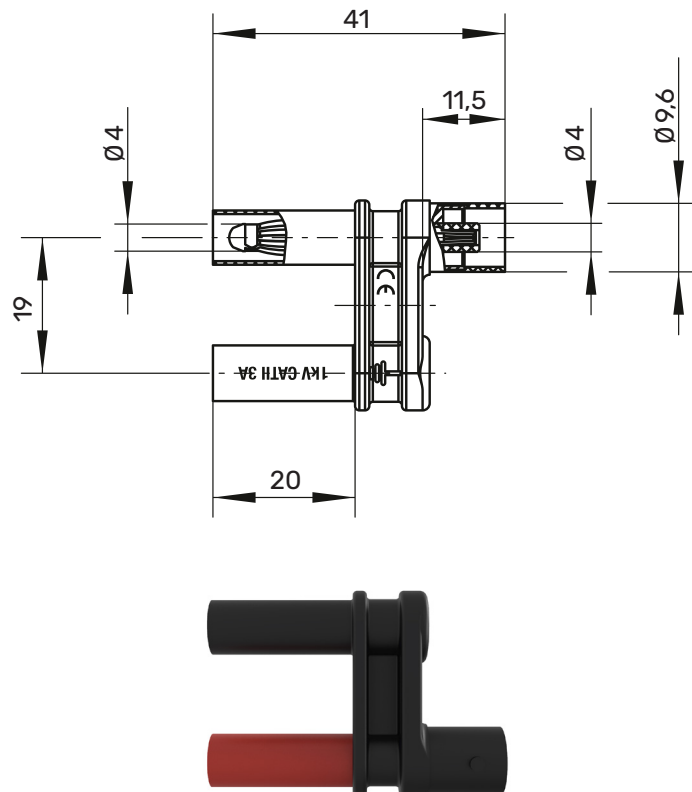
Safety adapter BNC

BNC

1.000 V CAT II

3 A

- fully insulated
- for adaptation from Ø 4 mm safety system to BNC system
- Ø 4 mm safety sockets to safety BNC plug



General information

Order No. ¹⁾ **SABNC 7006 / F / SW**

colours black

contact parts nickel-plated

insulation Polyamid

Technical data

terminal safety BNC socket

transition resistance < 0,8 mΩ

rated voltage ²⁾ 1000 V CAT II

rated current ²⁾ 3 A

operating temperature from -20 °C to +80 °C

²⁾ at normal ambient temperatures

SABNC 7006

● SW

99014016