

# SKO 89-58-100

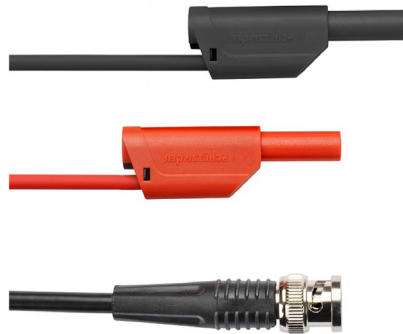
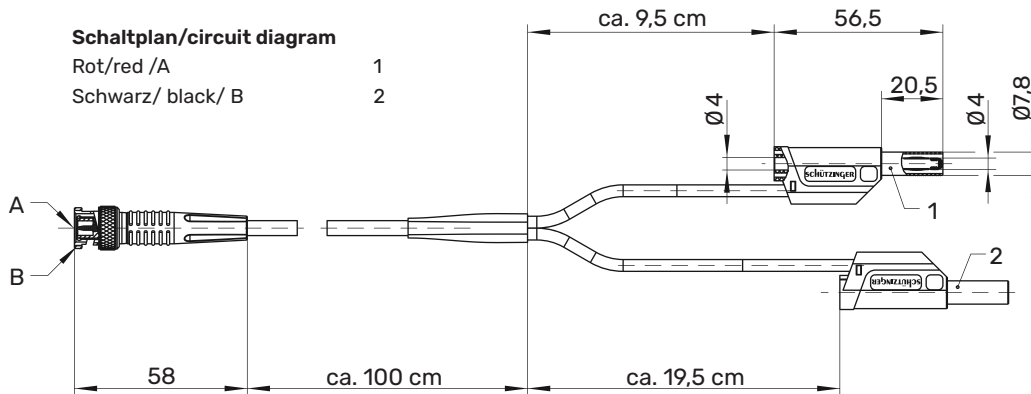
## BNC adapter lead

BNC

600 V CAT III

3 A

- 1st side: BNC-connector with bend relief, assembled on coaxial cable RG 58 C/U
- 2 side: 2 x Ø 4 mm safety lamella-basket plugs with inline socket, assembled on highly flexible double-insulated PVC cable 1 mm<sup>2</sup>
- with Y splitter



### General information

Order No.<sup>1)</sup> **SKO 89-58 / 100 / SW**

colours black/red

contact parts nickel-plated

lengths 100 cm

### Technical data

cable coaxial wire RG 58 C/U

transition resistance 50 mΩ

rated current<sup>2)</sup> 3 A

operating temperature from -10 °C to +50 °C

<sup>1)</sup> other lengths on request

<sup>2)</sup> at normal ambient temperatures

**SKO 89-58 /100**

---

99017162