

KML 7460

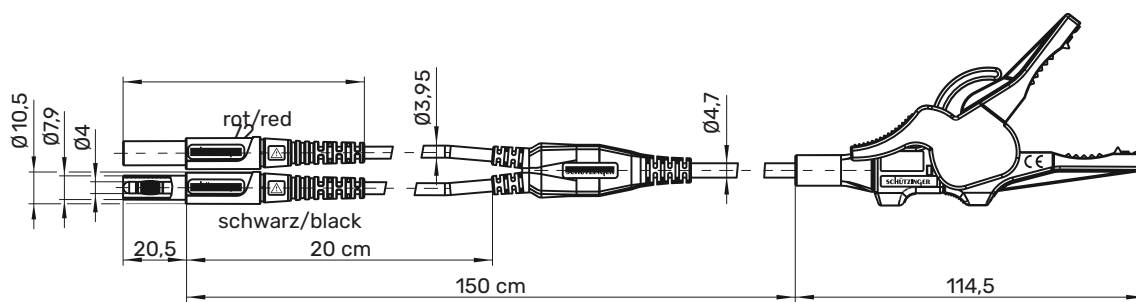
Kelvin measuring lead

Kelvin

30 V_{AC} / 60 V_{DC}

10 A per lead

- 2 safety lamella-basket plugs assembled on highly flexible, double-insulated PVC cable 1 mm² and safety kelvin clip
- this kelvin measuring lead has been especially developed for four-wire measurement
- safety kelvin clip with grips up to Ø 34 mm



! WH 019



General information

Order No. ¹⁾	KML 7460 / SAK / 1 / ..(length)
colour	black/red
contact parts	nickel-plated
insulation	PA 6.6 (Polyamid)
lengths	150 cm

Technical data

cable	PVC doppelt-isol. 1 mm ²
rated voltage ²⁾	30 V _{AC} / 60 V _{DC}
rated current	10 A per Leitung
operating temperature	from -10 °C to +70 °C

¹⁾ other contact platings, colours and lengths on request

²⁾ at normal ambient temperatures

SCHÜTZINGER

KML 7460

99015136