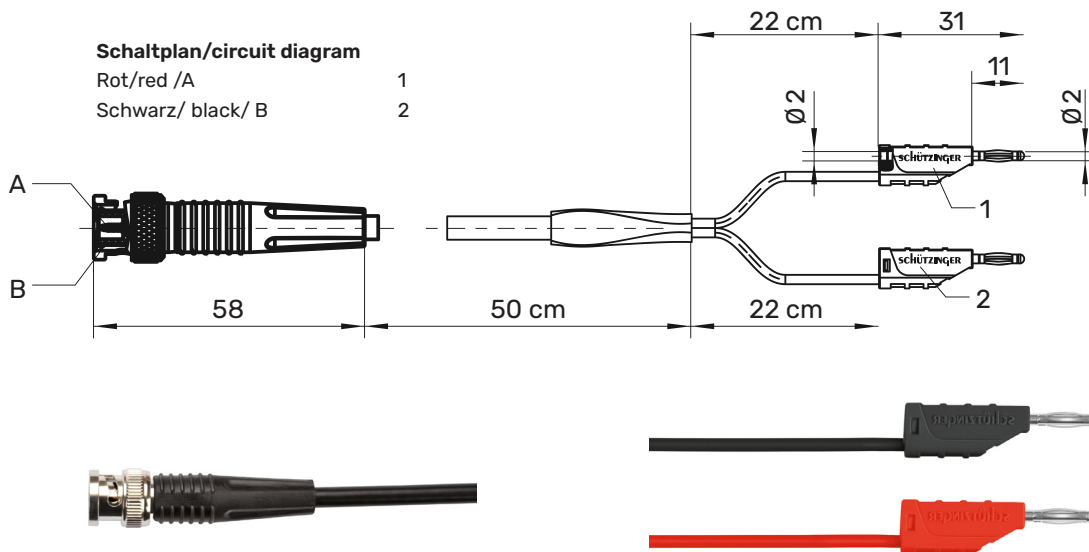


## KO 8162 BNC-Adapterleitung

BNC

- 1st side: BNC-connector with bend relief, assembled on coaxial cable RG 58 C/U
- 2nd side: 2x Ø 2 mm lamella-basket plugs with inline socket, assembled on highly flexible insulated PVC cable 0.5 mm<sup>2</sup>
- with Y splitter



### General information

Order No. <sup>1)</sup> **KO 8162 / RG 58 / 0.5 / 50 / SW**

### Technical data

RG type acc. to MIL-C-17	RG 58 C / U
characteristic impedance	50±2 mΩ
1st side BNC connector	UG 1785 /U-Crimp
1st side bend relief	K 50 / SW
2nd side lamella-basket plug red, assembled on RG 58 C/U- core, cable length	22 cm
2nd side lamella-basket plug black, assembled on RG 58 C/U-shield, cable length	22 cm
cable length	50 cm
operating temperature	from -10 °C to +50 °C

<sup>1)</sup> other colours and lengths on request

**KO 8162**

---

● SW

99017288