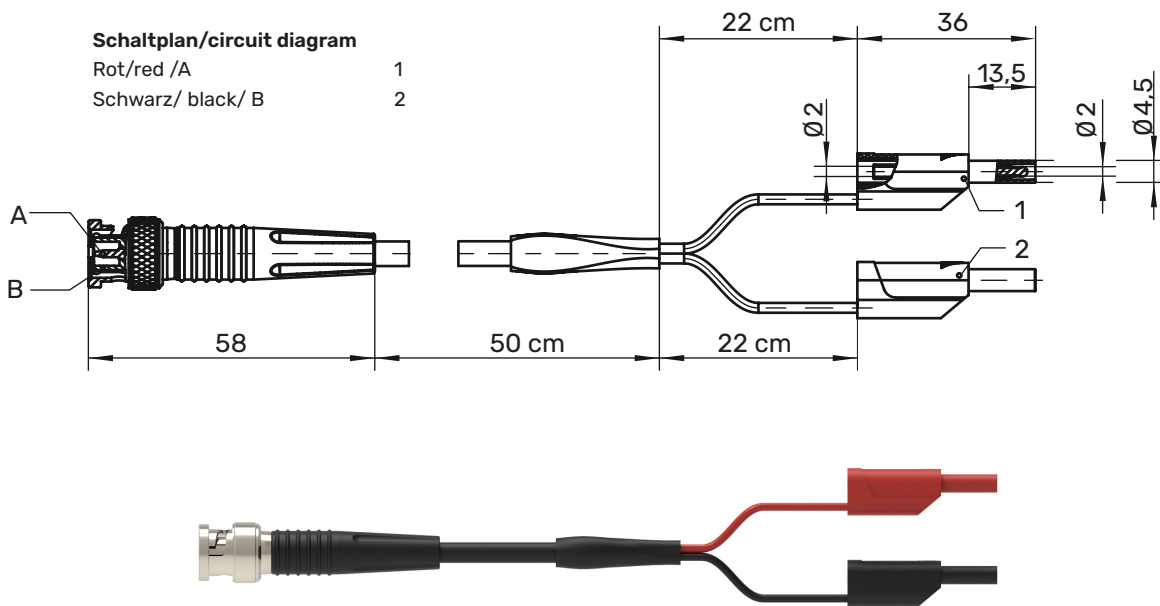


KO 8358

BNC adapter lead

BNC

- 1st side: BNC-connector with bend relief, assembled on coaxial cable RG 58 C/U
- 2nd side: 2x Ø 2 mm safety lamella-basket plugs with inline socket, assembled on highly flexible insulated PVC cable 0.5 mm²
- with Y splitter



General information

Order No.¹⁾ **KO 8358 / RG58 / 0.5 / 50 / SW**

contact parts **nickel-plated**

Technical data

RG type acc. to MIL-C-17	RG 58 C / U
characteristic impedance	50±2 mΩ
1st side BNC connector	UG 1785 /U-Crimp
1st side bend relief	K 50 / SW
2nd side lamella-basket plug red, assembled on RG 58 C/U- core, cable length	22 cm
2nd side lamella-basket plug black, assembled on RG 58 C/U-shield, cable length	22 cm
cable length	50 cm
operating temperature	from -10 °C to +50 °C

¹⁾ other colours and lengths on request

KO 8358

● SW

99017881