

KWML 7420

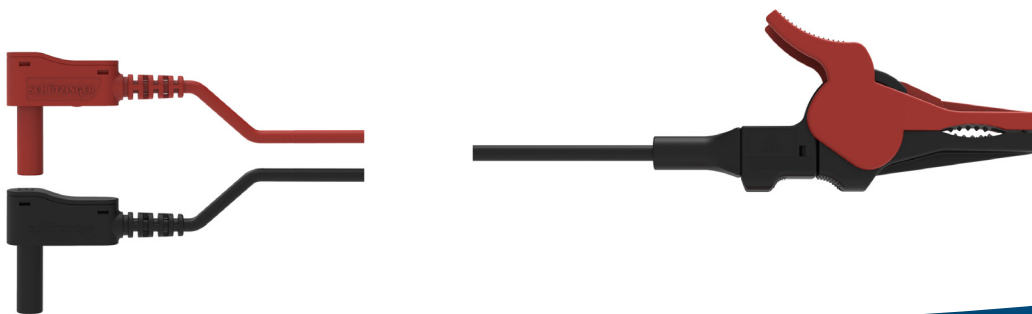
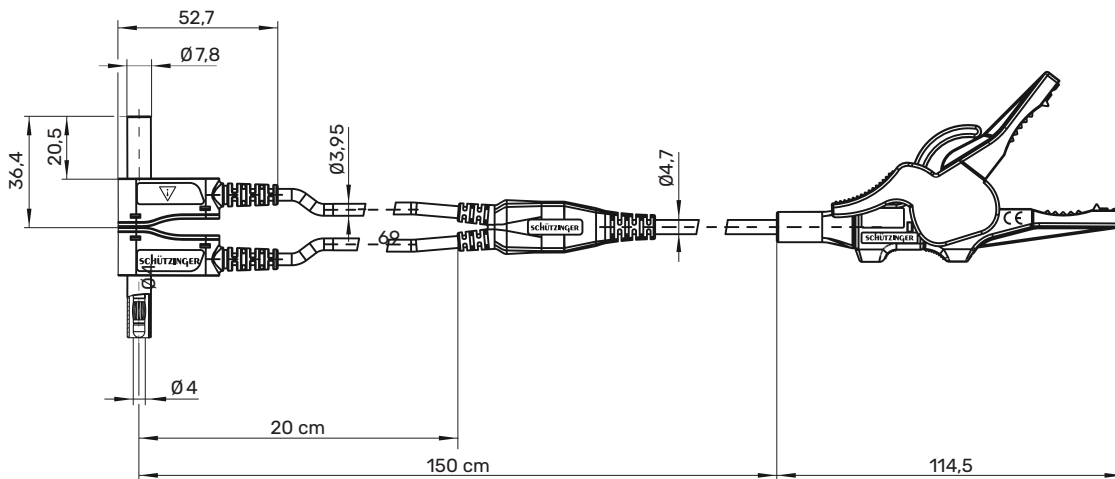
Kelvin measuring lead

Kelvin

30 V_{AC} / 60 V_{DC}

10 A per lead

- 2 safety lamella-basket angle plugs assembled on highly flexible, double-insulated PVC cable and safety kelvin clip
- this kelvin measuring lead has been especially developed for four-wire measurement
- safety kelvin clip with grips up to Ø 34 mm



! WH 019



General information

Order No. ¹⁾	KWML 7420 / SAK / 150
colours	black/red
contact parts	nickel-plated
insulation	PA 6.6 (Polyamid)
length	150 cm

Technical data

cable	PVC-doppelt-isoliert
transition resistance outside	320 mΩ
transition resistance inside	60 mΩ
rated voltage ²⁾	30 V _{AC} / 60 V _{DC}
rated current ²⁾	10 A pro Leitung
operating temperature	from -10 °C to +80 °C

¹⁾ other contact platings, colours and lengths on request

²⁾ at normal ambient temperatures

KWML 7420

99015037