

KWML 8542

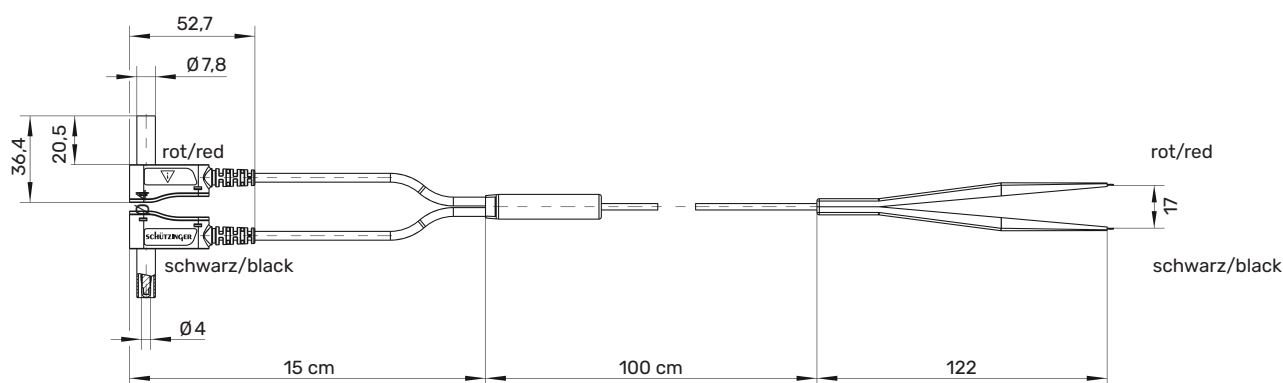
Kelvin measuring lead

Kelvin

30 V_{AC} / 60 V_{DC}

1 A per lead

- 2 safety lamella-basket angle plugs, assembled on double-insulated PVC cable 0.75 mm² and tweezers, assembled on coaxial cable RG 174/U
- this kelvin measuring lead has been especially developed for four-wire measurement
- tweezer opening 17 mm max.



! WH 027



General information

Order No. ¹⁾	KWML 8452 / PZ / 0.75 / 100
colour	black/red
contact parts	plugs nickel-plated tweezers gold-plated
insulation	PA 6.6 (Polyamid)
length	100 cm

Technical data

cable	0.75 mm ² PVC double-insul., coaxial cable RG 174/U
rated voltage ²⁾	30 V _{AC} / 60 V _{DC}
rated current ²⁾	1 A pro Leitung
operating temperature	from -10 °C to +70 °C

¹⁾ other contact platings, colours and lengths on request
²⁾ at normal ambient temperatures

KWML 8452

99018196