

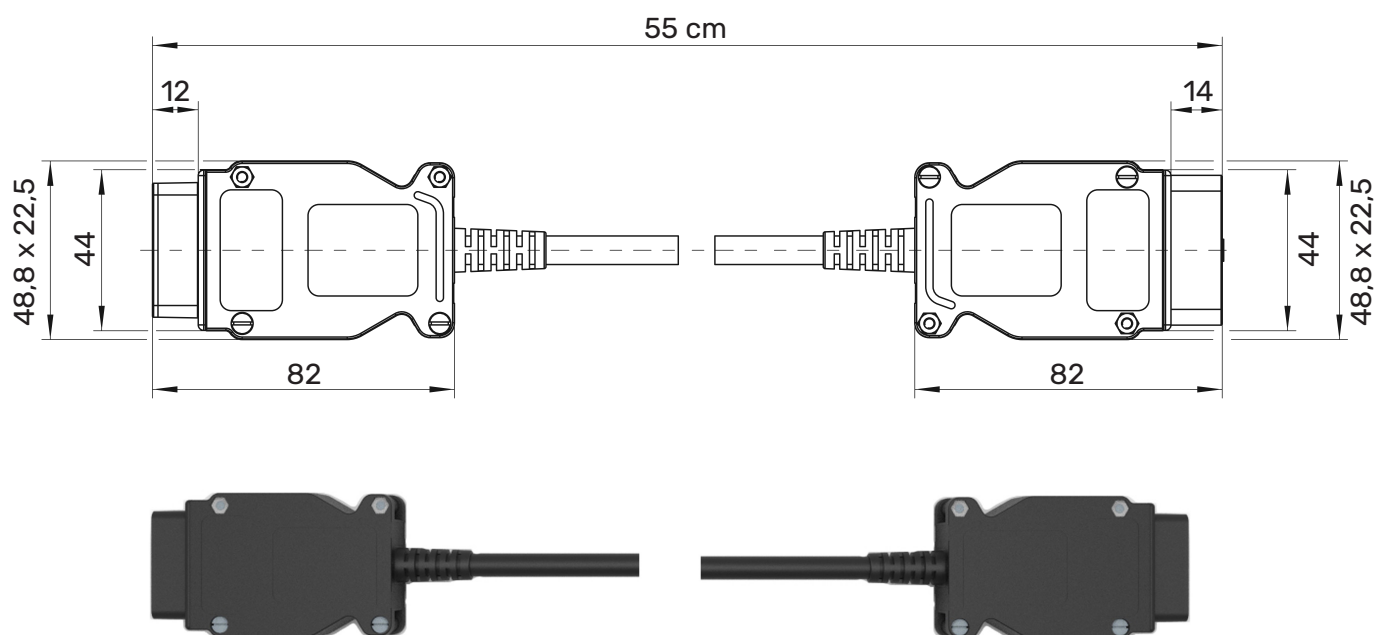
# AL 8305/ OBD II/ 12V

## OBD adapter lead

Automotive

12 A

- 1 site: OBD II socket OBDBU 7632 Au / 12V / SW with housing made of PA6 reinforced with glass fibres, 12 V, assembled on shielded control cable PVC 16 x 0.22 mm<sup>2</sup>
- 2 side: OBD II connector OBDST 6830 AUR0 / 12V / SW with housing made of PA6 reinforced with glass fibres, 12 V, assembled on shielded control cable PVC 16 x 0.22 mm<sup>2</sup>



### General information

Order No. <sup>1)</sup>	AL 8305 / OBD II / 12V / 50 / SW
colours	black
contact parts	gold-plated
length	50 cm

### Technical data

cable	control cable PVC 16x0.22 mm <sup>2</sup>
transition resistance	0 mΩ
rated voltage <sup>2)</sup>	12 V
operating temperature	von -10 °C bis +80 °C

<sup>1)</sup> other contact platings and colours on request  
<sup>2)</sup> at normal ambient temperatures

**AL 8305/ OBD II/ 12V**

---

99018908