

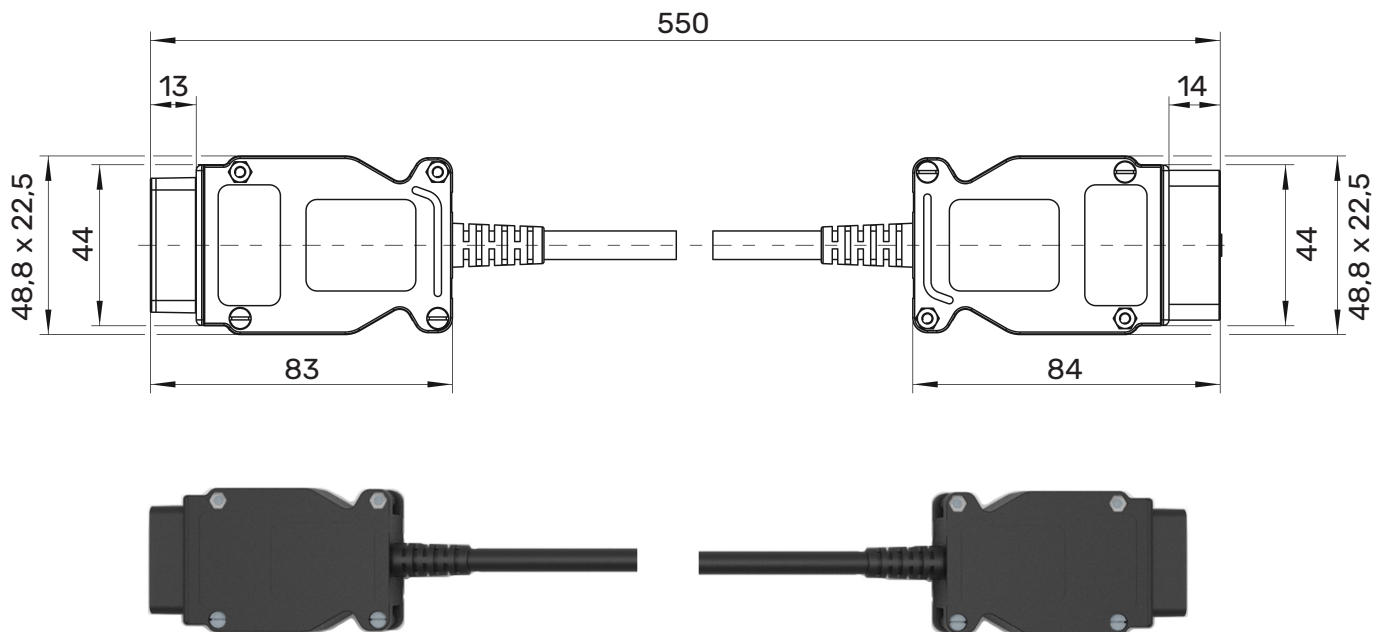
AL 8305/ OBD II/ 24V

OBD adapter lead

Automotive

24 A

- site: OBD II socket OBDBU 7640 Au / 24V / SW with housing made of PA6 reinforced with glass fibres, 24 V, with solder pins and solder terminal for wire strand up to \varnothing 1.3 mm
- 2 side: OBD II connector OBDST 7388 AURO / 24V / SW with housing made of PA6 reinforced with glass fibres, 24 V, with solder pins, rectangle pins 1.6x0.82 and with solder terminal for wire strand up to \varnothing 1.3 mm, assembled on shielded control cable 16x0.22 mm²



General information

Order No. ¹⁾	AL 8305 / OBD II / 24V / 50 / SW
colours	black
contact parts	gold-plated
length	50 cm

Technical data

cable	control cable PVC 16x0.22 mm ²
transition resistance	0 m Ω
rated voltage ²⁾	24 V
operating temperature	von -10 °C bis +80 °C

¹⁾ other contact platings and colours on request
²⁾ at normal ambient temperatures

AL 8305/ OBD II/ 24V

99017666