

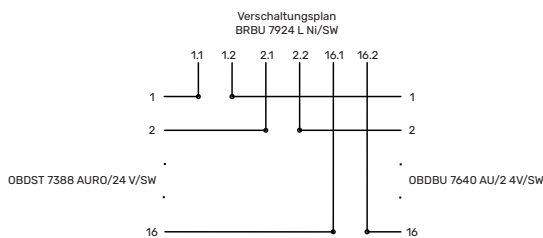
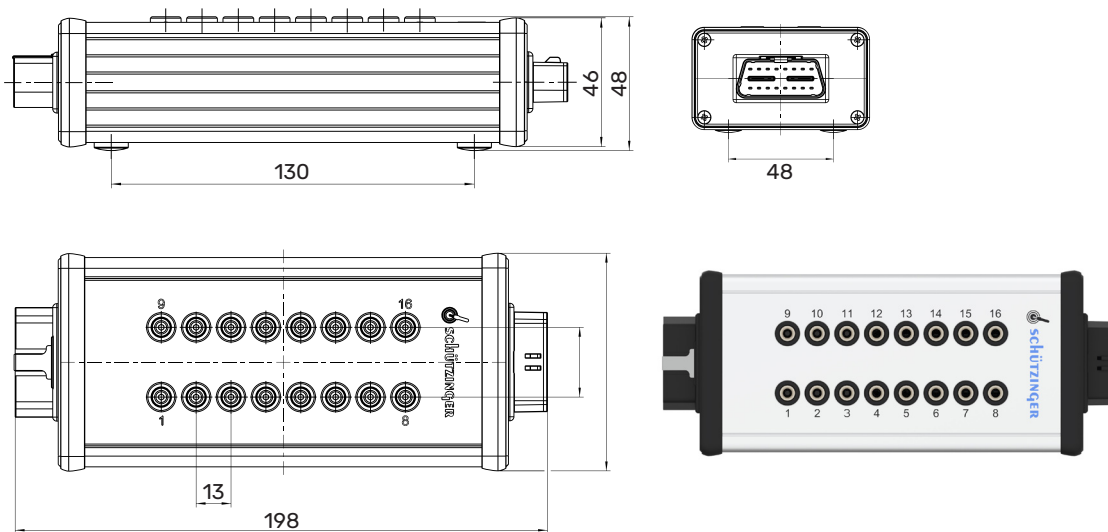
OBDBOB 8280 / 12 V

OBD breakout box



Automotive 30 V_{AC} / 60 V_{DC} 10 A

- diagnostic box for the OBD II interface of the vehicle
- x OBD II socket OBDBU 7632 Au / 12V / SW and 1 x OBD II connect or OBDDST 6830 AURO / 12V / SW on the face
- 16 x connecting sockets BRBU 7924 L Ni / SW, marked with the OBD pin number in the
- grid dimension of 13 mm / 21 mm
- Available option: We recommend you 16 connecting plugs BRST 7922 Ni / ..(colour) to bridge the contacts in the connecting socket (see circuit diagramm)



General information

Order No ¹⁾	OBDBOB 8280 AI / 12V / SW
colours	black
housing	Alluminium
insulation	PA 6.6 (Polyamid)
contact parts	nickel-plated und gold-plated

Technical data

terminal	plug
rated voltage ²⁾	30 V _{AC} / 60 V _{DC}
rated current ²⁾	10 A
operating temperature	from -10 °C to +80 °C

¹⁾ other contact platings, colours and terminals on request
²⁾ at normal ambient temperatures

OBDBOB 8280 / 12 V

99018578