

OBDBU 7640

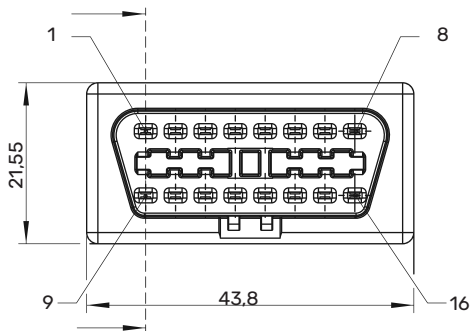
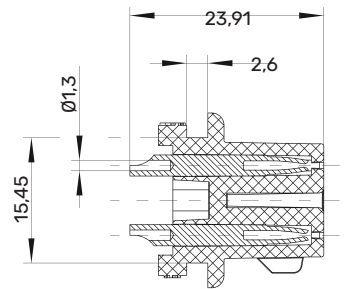
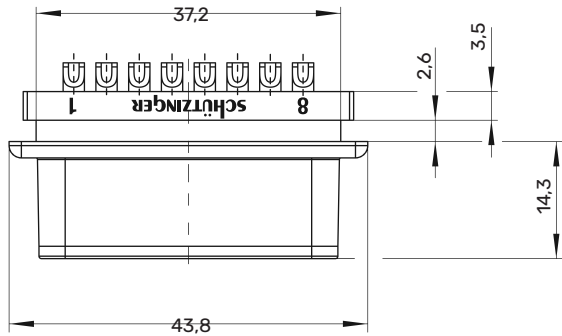
OBD II socket

Automotive

24 V

10 A

- OBD socket 24 V with solder pin and solder terminal for wire strand up to \varnothing 1.3 mm
- for soldering up to PCB



General information

| | |
|-------------------------|---------------------------------|
| Order No. ¹⁾ | OBDBU 7640 Au / 24V / SW |
| colours | black |
| contact parts | gold-plated |
| housing | PA 6.6 (Polyamid) UL94 - V2 |

Technical data

| | |
|-----------------------------|---------------------------------|
| terminal | solder pin \varnothing 1.3 mm |
| transition resistance | 0 m Ω |
| rated voltage ²⁾ | 12 V |
| rated current ²⁾ | 10 A |
| operating temperature | from -25 °C to +85 °C |
| mating cycles | 5000 |

²⁾ at normal ambient temperatures

OBDBU 7640
