

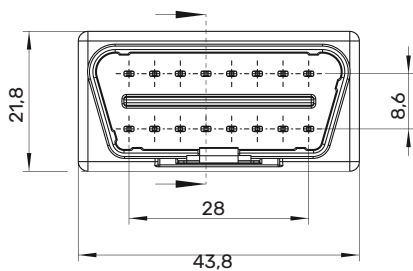
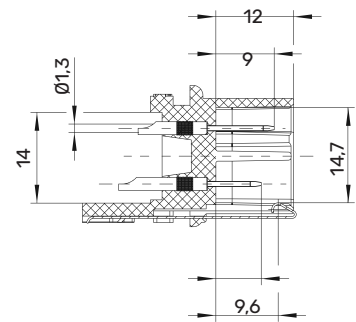
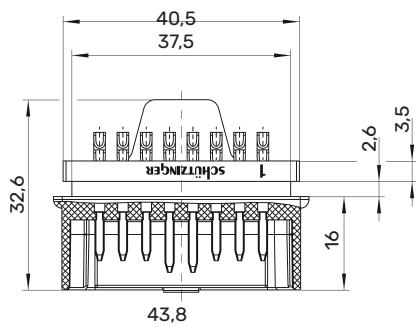
OBDST 6830

OBD connector

Automotive

10 A

- OBD connector 12V with soldering pin and solder terminal for wire strand up to \varnothing 1.3 mm
- with rectangle pins 1.6x0.82
- for soldering up to PCB



General information

Order No. ¹⁾	OBDST 6830 AURO / 12V / SW
colours	black
contact parts	vergoldet
housing	PA 6.6 (Polyamid) UL94 - V2

Technical data

terminal	solder pin \varnothing 1.3 mm
rated current ²⁾	10 A

²⁾ at normal ambient temperatur

OBDST 6830

99013613