

OBDST 7388

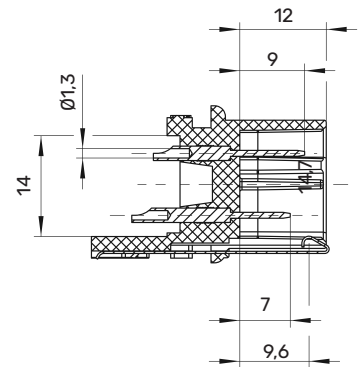
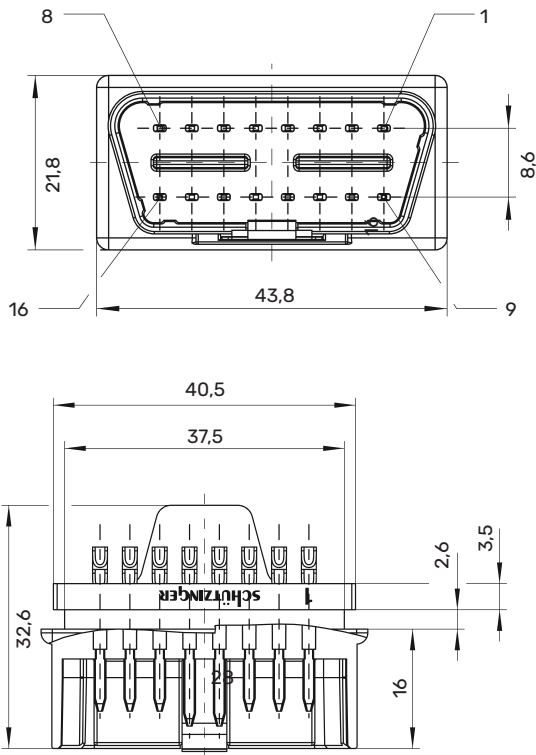
OBD connector

Automotive

24 V

10 A

- OBD connector 24V with soldering pin and solder terminal for wire strand up to \varnothing 1.3 mm
- with rectangle pins 1.6x0.82
- for soldering up to PCB



General information

Order No. ¹⁾	OBDST 7388 AURO / 24V / SW
colours	black
contact parts	gold-plated
housing	PA 6.6 (Polyamid) UL94 - V2

Technical data

terminal	solder pin \varnothing 1.3 mm
rated voltage ²⁾	24 V
rated current ²⁾	10 A
mating cycles	5000
operating temperature	from -25 °C to +85 °C

²⁾at normal ambient temperatures

OB DST 7388

99014740