

SET 7461 OBD II

Set with OBD connector

Automotive

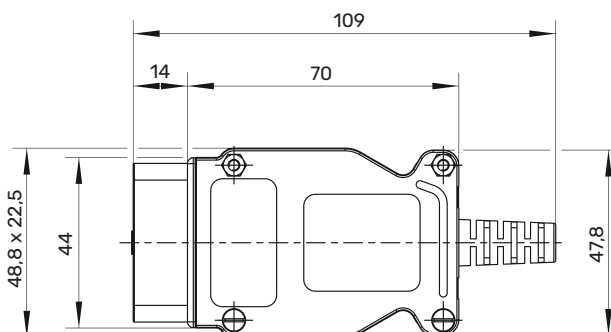
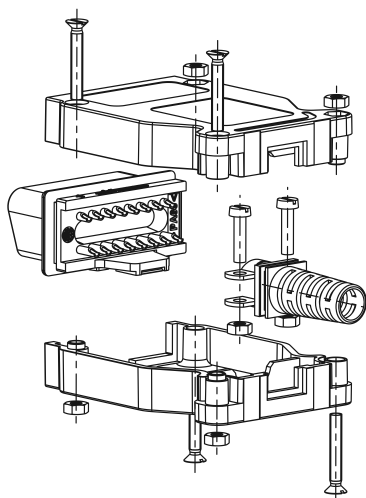
24 V

10 A

The components are used for the manufacture of a lead for connecting to the OBD II socket in the vehicle interior

- set with housing made of PA6 reinforced with glass beads or glass fibres, OBD II connector and bend relief for cables up to \varnothing 8 mm
- OBD connector 24 V with solder pins
- with rectangle pins 1.6 x 0.82

- with solder terminal for wire strand up to \varnothing 1.3 mm
- for a professional application of our products, the safety instructions in our catalogue must be observed



General information

Order No.¹⁾ (glass beads) **SET 7461 / OBD II/ 24V / GB / 8 / SW**

Order No.¹⁾ (glass fibres) **SET 7461 / OBD II/ 24V / GF / 8 / SW**

colours black

contact parts **gold-plated**

housing (glass beads) PA 6 reinforced with glass beads UL-94 HB

housing (glass fibres) PA 6 reinforced with glass fibres, UL-94 V0

Technical data

cable \varnothing 8 mm

transition resistance 0 m Ω

rated voltage²⁾ 24 V

rated current²⁾ 10 A

mating cycles 5000

operating temperatures from -40 °C to +85 °C

¹⁾ other contact platings and colours on request

²⁾ normal ambient temperatures

SET 7461

glass beads	99015148
glass fibres	99015445