

## SET 7471 OBD II

### Set with OBD connector



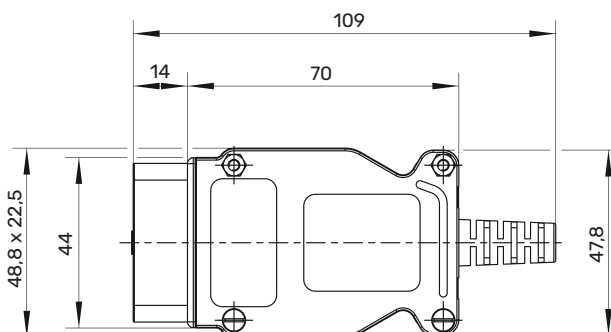
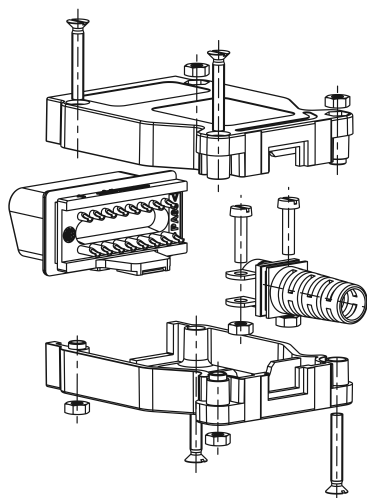
Automotive

24 V

10 A

The components are used for the manufacture of a lead for connecting to the OBD II socket in the vehicle interior

- set with housing made of PA6 reinforced with **glass beads and glass fibres**, OBD II connector and bend relief for cables up to  $\varnothing$  11 mm
- OBD connector 24 V with solder pins
- with rectangle pins 1.6 x 0.82
- with solder terminal for wire strand up to  $\varnothing$  1.3 mm
- for a professional application of our products, the safety instructions in our catalogue must be observed



### General information

Order No.<sup>1)</sup> (glass beads) **SET 7471 / OBD II / 24V / GB / 11 / SW**

Order No.<sup>1)</sup> (glass fibres) **SET 7471 / OBD II / 24V / GF / 11 / SW**

colours black

contact parts **gold plated**

housing (glass beads) PA 6 reinforced with glass beads, UL94-HB

housing (glass fibres) PA 6 reinforced with glass fibres, UL94-V0

### Technical Data

cable  $\varnothing$  11 mm

transition resistance 0 m $\Omega$

rated voltage<sup>2)</sup> 24 V

rated current<sup>2)</sup> 10 A

mating cycles 5000

operating temperatures from -40 °C to +85 °C

<sup>1)</sup> other contact platings and colours on request  
<sup>2)</sup> at normal ambient temperatures

**SET 7471**

---

Glaskugel	99015149
Glasfaser	99015450