

SET 8140 OBDBU II

Set with OBD connector

Automotive

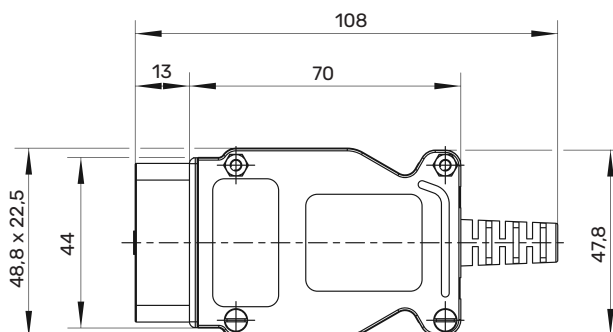
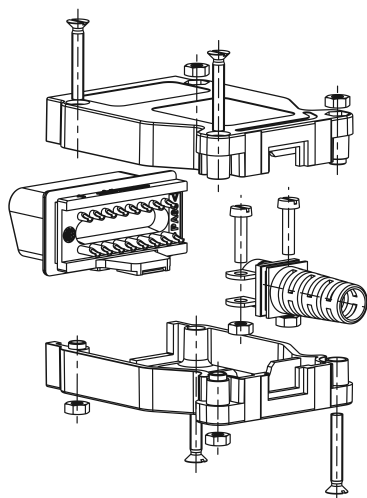
24 V

10 A

The components are used for the manufacture of a lead for connecting to the OBD II socket in the vehicle interior

- set with housing made of PA6 reinforced with **glass beads and glass fibres**, OBD II connector and bend relief for cables up to \varnothing 8 mm
- OBD connector 24 V with solder pins

- with solder terminal for wire strand up to \varnothing 1.3 mm
- for a professional application of our products, the safety instructions in our catalogue must be observed



General information

Order No.¹⁾ (glass beads) **SET 8140 /OBDBU II / 24V /GB / 8/SW**

Order No.¹⁾ (glass fibres) **SET 8140 /OBDBU II / 24V /GF / 8/SW**

colours black

contact parts **gold-plated**

housing (glass beads) PA 6 reinforced with glass beads, UL94 -HB

housing (glass fibres) PA 6 reinforced with glass fibres, UL94 -V0

Technical data

cable \varnothing 8 mm

transition resistance 0 m Ω

rated voltage²⁾ 24 V

rated current²⁾ 10 A

operating temperature from -40 °C to +85 °C

¹⁾ other contact platings and colours on request
²⁾ at normal ambient temperatures

SET 8140

| | |
|-----------|----------|
| Glaskugel | 99017291 |
|-----------|----------|

| | |
|-----------|----------|
| Glasfaser | 99017293 |
|-----------|----------|