

SET 9061 OBD II

Set with OBD connector

Automotive

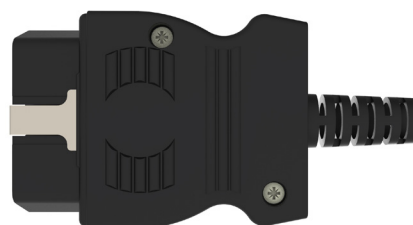
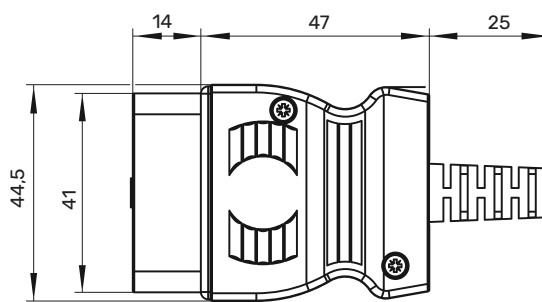
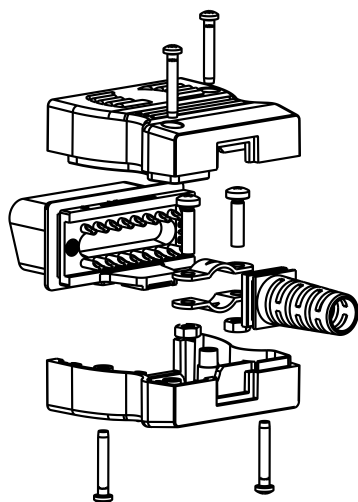
24 V

10 A

The components are used for the manufacture of a lead for connecting to the OBD II socket in the vehicle interior

- set with housing made of PA6.6, OBD II connector and bend relief for cables up to \varnothing 8 mm
- OBD connector 24 V with solder pins
- with rectangle pins 1.6 x 0.82

- with solder terminal for wire strand up to \varnothing 1.3 mm
- ext. dimensions length x width x height 61 mm x 44.5 mm x 26 mm
- for a professional application of our products, the safety instructions in our catalogue must be observed



General information

Order No.¹⁾ SET 9061 / OBD II / 24V / 8 / SW

colours black

contact parts gold-plated

housing PA 6.6 (UL94 - V2)

Technical data

cable \varnothing 8 mm

rated voltage^{2) 6)} 24 V

rated current²⁾ 10 A

mating cycles 5000

operating temperatures from -25 °C to +85 °C

¹⁾ other contact platings and colours on request

²⁾ at normal ambient temperatures

⁶⁾ for a professional application of our products, the safety instructions in our catalogue must be observed and followed

SET 9061

99021383