

SET 9154 OBD II

Set with OBD connector

Automotive

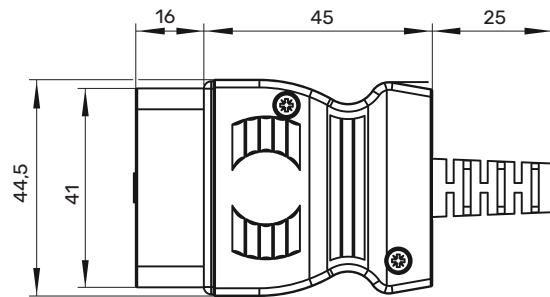
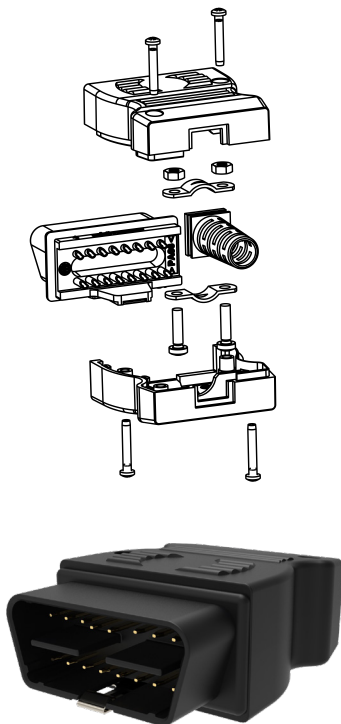
24 V

10 A

The components are used for the manufacture of a lead for connecting to the OBD II socket in the vehicle interior

- set with housing made of PA6.6, OBD II connector and bend relief for cables up to \varnothing 11 mm
- OBD connector 24 V with solder pins
- with rectangle pins 1.6 x 0.82

- ext. dimensions length x width x height 61 mm x 44.5 mm x 26 mm
- with solder terminal for wire strand up to \varnothing 1.3 mm
- for a professional application of our products, the safety instructions in our catalogue must be observed



General information

Order No. ¹⁾	SET 9154 / OBD II / 24V / 11 / SW
colours	black
contact parts	gold-plated
housing	PA 6.6 (UL94 - V2)

Technical data

cable	\varnothing 11 mm
rated voltage ^{2) 6)}	24 V
rated current ²⁾	10 A
mating cycles	5000
operating temperature	from -25 °C to +80 °C

¹⁾ other contact platings and colours on request

²⁾ at normal ambient temperatures

⁶⁾ for a professional application of our products, the safety instructions in our catalogue must be observed and followed

SET 9154

99021667