

Variable-Speed Pumps

Models: VSFHP185DV2A(S) VSFHP270DV2A(S) VSPHP270DV2A(S)
VSSHHP220DV2A(S) VSSHHP270DV2A(S) VSFHP3802A(S)
VSSHHP3802A(S)

Essential installation and startup instructions are included in this manual. Additional operation and troubleshooting information is available online by scanning the QR code with your phone or visiting jandy.com



⚠ WARNING

FOR YOUR SAFETY – This product must be installed and serviced by a contractor who is licensed and qualified in pool equipment by the jurisdiction in which the product will be installed where such state or local requirements exist. The maintainer must be a professional with sufficient experience in pool equipment installation and maintenance so that all of the instructions in this manual can be followed exactly. Before installing this product, read and follow all warning notices and instructions that accompany this product. Failure to follow warning notices and instructions may result in property damage, personal injury, or death. Improper installation and/or operation may void the warranty.

Improper installation and/or operation can create unwanted electrical hazard which may cause serious injury, property damage, or death.



ATTENTION INSTALLER – This manual contains important information about the installation, operation and safe use of this product. This information should be given to the owner/operator of this equipment.

Table of Contents

Section 1. Important Safety Instructions	3	Section 4. Dry Contact Operation	15
1.1 Safety Instructions.....	3	4.1 Dry Contact Speed Settings.....	15
1.2 Pool Pump Suction Entrapment Prevention Guidelines.....	4	4.2 Conduct Pressure Test	16
Section 2. General Description	5	Section 5. Operation	18
2.1 Introduction.....	5	5.1 Startup.....	18
2.2 Product Dimensions	5	Section 6. Service & Maintenance	18
2.3 Product Specifications.....	6	6.1 Clean Pump Basket.....	18
2.4 Product Contents.....	6	6.2 Removing the Pump Lid.....	19
Section 3. Installation Information	8	6.3 Winterizing the Pump.....	19
3.1 Zero Clearance TEFC Motor.....	8	Section 7. Troubleshooting and Repair	20
3.2 Plumbing.....	8	7.1 Service Technician Maintenance	21
3.3 Electrical Installation.....	11	Section 8. Product Specifications and Technical Data	22
3.4 Pump Controller / Automation System Setup	13	8.1 Exploded Views.....	22
3.5 DIP Switch Settings	13	8.2 Performance Curves.....	23
3.6 Auxiliary Relay Operation.....	14		

EQUIPMENT INFORMATION RECORD

Date Of Installation _____

Installer Information _____

Initial Pressure Gauge Reading (with Clean Filter) _____

Pump Model _____ Horsepower _____

Notes _____

Section 1. Important Safety Instructions

READ AND FOLLOW ALL INSTRUCTIONS

1.1 Safety Instructions

All electrical work must be performed by a licensed electrician and conform to all national, state, and local codes. When installing and using this electrical equipment, basic safety precautions should always be followed, including the following:

⚠ WARNING

RISK OF SUCTION ENTRAPMENT HAZARD, WHICH, IF NOT AVOIDED, CAN RESULT IN SERIOUS INJURY OR DEATH. Do not block pump suction, as this can cause severe injury or death. Do not use this pump for wading pools, shallow pools, or spas containing bottom drains, unless the pump is connected to at least two (2) functioning suction outlets, and/or in accordance with the latest version of ANSI/APSPA/ICC-7 the standard for Suction Entrapment Avoidance in Swimming Pools, Wading Pools, Spas, Hot Tubs, and Catch Basins. Suction outlet drain assemblies and their covers must be certified to the latest published edition of ANSI/ASME A112.19.8, or its successor standard, ANSI/APSP-16.

To reduce the risk of injury, do not permit children to use this product.

To reduce the risk of property damage or injury, do not attempt to change the backwash (multiport, slide, or full flow) valve position with the pump running.

Jandy pumps are powered by a high voltage electric motor and must be installed by a licensed or certified electrician or a qualified swimming pool service technician.

Due to the potential risk of fire, electric shock, or injuries to persons, Jandy pumps must be installed in accordance with the National Electrical Code® (NEC®), all local electrical and safety codes, and the Occupational Safety and Health Act (OSHA). Copies of the NEC may be ordered from the National Fire Protection Association, 1 Batterymarch Park, Quincy, MA 02269, or from your local government inspection agency.

RISK OF ELECTRIC SHOCK, FIRE, PERSONAL INJURY, OR DEATH. (For all permanently installed units intended for use on 55 or 20 ampere, 120 through 240 volt, single phase branch circuits). Connect only to a branch circuit that is protected by a ground-fault circuit interrupter protection for personnel (GFCI). Contact a qualified electrician if you cannot verify that the circuit is protected by a GFCI. A GFCI should be provided by the installer and should be tested on a routine basis. To test the GFCI, push the test button. The GFCI should interrupt power. Push the reset button. Power should be restored. If the GFCI fails to operate in this manner, the GFCI is defective. If the GFCI interrupts power to the pump without the test button being pushed, a ground current is flowing, indicating the possibility of electrical shock. Do not use the device. Disconnect the device and have the problem corrected by a qualified service representative before using.

Incorrectly installed equipment may fail, causing severe injury or property damage:

- Do not connect the system to an unregulated city water system or other external source of pressurized water producing pressures greater than 35 PSI.
- Trapped air in system can cause the filter lid to be blown off, which can result in death, serious personal injury, or property damage. Be sure all air is out of the system before operating.

To minimize the risk of severe injury or death, the filter and/or pump should not be subjected to the piping system pressurization test.

Local codes may require the pool piping system to be subjected to a pressure test. These requirements are generally not intended to apply to the pool equipment such as filters or pumps.

Zodiac® pool equipment is pressure tested at the factory.

However, if the WARNING cannot be followed and pressure testing of the piping system must include the filter and/or pump, **BE SURE TO COMPLY WITH THE FOLLOWING SAFETY INSTRUCTIONS:**

- Check all clamps, bolts, lids, lock rings and system accessories to ensure they are properly installed and secured before testing.
- **RELEASE ALL AIR** in the system before testing.
- Water pressure for test must **NOT EXCEED 35 PSI**.
- Water temperature for test must **NOT EXCEED 100°F (38°C)**.
- Limit test to 24 hours. After test, visually check system to be sure it is ready for operation.

NOTICE: These parameters apply to Zodiac equipment only. For non-Zodiac equipment, consult equipment manufacturer.

Chemical spills and fumes can weaken pool/spa equipment. Corrosion can cause filters and other equipment to fail, resulting in severe injury or property damage. Do not store pool chemicals near your equipment.

⚠ CAUTION

Do not start pump dry! Running the pump dry for any length of time will cause severe damage and may void the warranty.

The pump is for use with permanently installed pools and may also be used with hot tubs and spas, if so marked. Do not use with portable pools. A permanently installed pool is constructed in or on the ground or in a building such that it cannot be readily disassembled for storage. A portable pool is constructed so that it may be readily disassembled for storage and reassembled to its original integrity.

Do not install within an outer enclosure or beneath the skirt of a hot tub. The pump requires adequate ventilation to maintain air temperature at less than the maximum ambient temperature rating listed on the motor rating plate.

In order to avoid premature failure or damage to the pump motor, protect the pump from direct water exposure from sprinklers, water runoff from rooftops and drainage, etc. Failure to comply may cause pump failure, and may void the warranty.

1.2 Pool Pump Suction Entrapment Prevention Guidelines**⚠ WARNING**

SUCTION HAZARD. Can cause serious injury or death. Do not use this pump for wading pools, shallow pools or spas containing bottom drains, unless the pump is connected to at least two (2) functioning suction outlets and/or in accordance with the latest version of ANSI/APHTA/ICC-7 the standard for Suction Entrapment Avoidance in Swimming Pools, Wading Pools, Spas, Hot Tubs, and Catch Basins.

Pump section is hazardous and can trap and drown or disembowel bathers. Do not use or operate swimming pools, spas, or hot tubs if a suction outlet cover is missing, broken, or loose. The following guidelines provide information for pump installation that minimizes risk of injury to users of pools, spas, and hot tubs.

Entrapment Protection – The pump suction system must provide protection against the hazards of suction entrapment.

Suction Outlet Covers – All suction outlets must have correctly installed, screw-fastened covers in place. All suction outlet (drain) covers must be properly maintained. They must be replaced if cracked, broken, or missing. Drain covers must be listed/verified to the latest published edition of ANSI/APSP/ICC-7 A112.19.8 or its successor standard, ANSI/APSP-16. The pool must be shut down and bathers must be restricted from entering the pool until any cracked, broken, or missing drain covers are replaced.

Number of Suction Outlets Per Pump – Provide at least two (2) hydraulically balanced suction outlets, with covers, on suction outlets for each circulating pump suction line. The centers of the suction outlets (suction outlets on any one (1) suction line must be at least three (3) feet apart, center to center. See Figure 4.

The system **must** be built to include at least two (2) suction outlets (strains) connected to the pump whenever the pump is running. However, if two (2) suction outlets run into a single suction line, the single suction line may be equipped with a valve that will shut off both suction outlets from the pump. The system shall be constructed such that it shall not allow for separate or independent shutoff or isolation of each drain. See Figure 4.

Additional pumps can be connected to a single suction line as long as the requirements above are met.

Unblockable SOFA – If acceptable by local code and Authority Having Jurisdiction (AHJ), a single unblockable SOFA may be used. For an unblockable SOFA to qualify as an unblockable drain under the Virginia Graham Baker Act (VGBA), the Suction Outlet Fitting Assembly (SOFA) shall be certified as unblockable, and be designated by the manufacturer as unblockable, and the manufacturer's instructions must state the SOFA is authorized for use as an unblockable suction outlet in accordance with ANSI/APSP/ICC-16. Certified unblockable SOFA's must be installed in accordance with the manufacturer's instructions, the latest edition of ANSI/APHTA/ICC-7, and applicable local code.

Water Velocity – The maximum water velocity through the suction outlet assembly and its cover for any suction outlet must not exceed the suction outlet assembly and its cover's maximum design flow rate. The suction outlet (drain) assembly and its cover must comply with the latest version of ANSI/APSP/ICC-7 A112.19.8 or its successor standard, ANSI/APSP-16, the standard for Suction Fittings For Use in Swimming Pools, Wading Pools, Spas, and Hot Tubs, or its successor standard, ANSI/APSP-16.

Testing and Certification – Suction outlet covers must have been tested by a nationally recognized testing laboratory and found to comply with the latest published edition of ANSI/APSP/ICC-7 A112.19.8 or its successor standard, ANSI/APSP-16, the standard for Suction Fittings For Use in Swimming Pools, Wading Pools, Spas, and Hot Tubs.

Fittings – Fittings used for flow, for best efficiency use lowest possible fittings (but at least two (2) suction outlets, or certified unblockable SOFA).

Avoid fittings that could cause an air trap.

Pool cleaner suction fittings must conform to applicable International Association of Plumbing and Mechanical Officials (IAPMO) standards.

SAVE THESE INSTRUCTIONS

Section 2. General Description

2.1 Introduction

Jandy Variable-Speed Pumps can be run from 600 RPM to 3450 RPM. This allows you to select the most appropriate speed for your application. Pumps in this manual are compatible with all Jandy controllers and Jandy automation systems. The pump is driven by a variable speed ECM (Electronically Commutated Motor) directly attached to the pump impeller. The motor spins the impeller which forces water to flow through the pump. As the speed of the motor is varied, the flow through the pump is also varied.

The adjustable flow rate allows for optimization of flow during the varying pump cycle requirements. As a result, the energy efficiency of the pump is maximized resulting in cost savings to the pool owner while also helping to save the environment.

This manual contains information for the proper installation, operation, and maintenance of pumps listed in this manual. Procedures in this manual must be followed exactly. To obtain additional copies of this manual, visit Jandy.com.

2.2 Product Dimensions

NOTE: When installing a pump, leave a minimum of two (2) feet (60 cm) of clearance above the pump for removal of the strainer basket, working in the wiring compartment, and for opening or closing the lid on the pump controller.

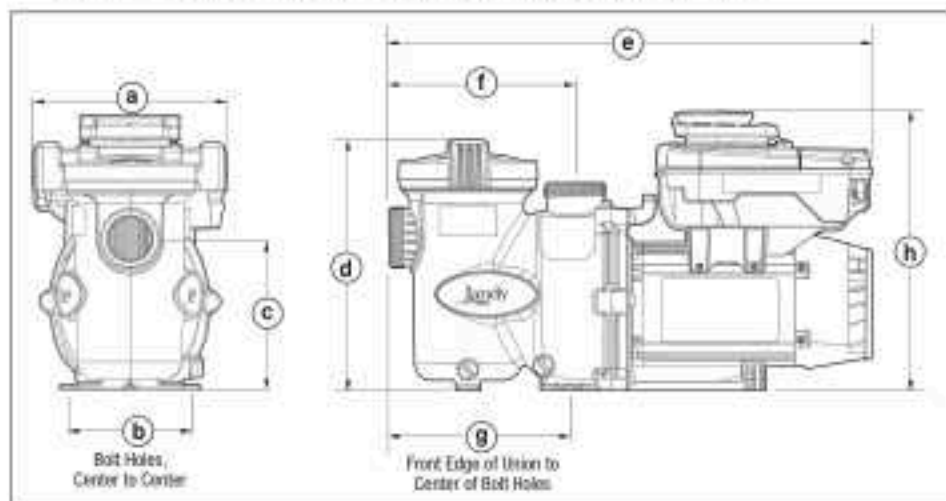


Figure 1. Variable-Speed Pump Dimensions

Model No.	Dimensions							
	a	b	c	d	e	f	g	h
VSRP185DV2A(S)	10"	6 1/2"	7 3/4"	12 3/4"	24 1/2"	9 1/2"	9 1/8"	14"
VSRP270DV2A(S)	10"	6 1/2"	7 3/4"	12 3/4"	24 1/2"	9 1/2"	9 1/8"	14"
VSR-F3802A(S)	10"	6 1/2"	7 3/4"	12 3/4"	24 1/2"	9 1/2"	9 1/8"	14"
VSRP270DV2A(S)	9 1/8"	8"	8 7/8"	14 1/8"	27 5/8"	11 7/8"	9 3/8"	15"
VSRP225DV2A(S)	11 5/8"	8"	10 3/8"	15 1/8"	30 1/8"	14"	11 5/8"	15"
VSRP270DV2A(S)	11 5/8"	8"	10 3/8"	15 1/8"	30 1/8"	14"	11 5/8"	15"
VSRP3802A(D)	11 5/8"	8"	10 3/8"	15 1/8"	30 1/8"	14"	11 5/8"	15"

2.3 Product Specifications

Model No.	THP	WEF	Voltage	Max Watts	Max Amps	Union Size	Weight
V5FHP1830V2A(S)	1.85	8.5	208-230 VAC 115 VAC	1,700W 1,800W	8.5-9.0 16.0	2" unions and 2" internal threads	44 lb (20 kg)
V5FHP2700V2A(S)	2.70	7.3 8.7	208-230 VAC 115 VAC	2,500W 1,840W	11.5-10.5 16.0	2" unions and 2" internal threads	44 lb (20 kg)
V5FHP3800A(S)	3.80	6.0	208-230 VAC	3250W	16.0	2" unions and 2" internal threads	57 lb (26 kg)
V5FHP2700V2A(S)	2.70	7.3 8.4	208-230 VAC 115 VAC	2,250W 1,840W	11.5-10.5 16.0	2" x 2 1/2"	64 lb (29 kg)
V5SHF2300V2A(S)	2.20	8.0 8.8	208-230 VAC 115 VAC	2,100W 1,860W	11.5-10.5 16.0	2" x 2 1/2"	66 lb (25 kg)
V5SHF2700V2A(S)	2.70	7.5 8.3	208-230 VAC 115 VAC	2,370W 1,675W	11.5-10.5 16.0	2" x 2 1/2"	66 lb (25 kg)
V5GHF3800A(S)	3.80	6.5	208-230 VAC	3120W	16.0	2.0" x 3"	70 lb (32 kg)

2.4 Product Contents

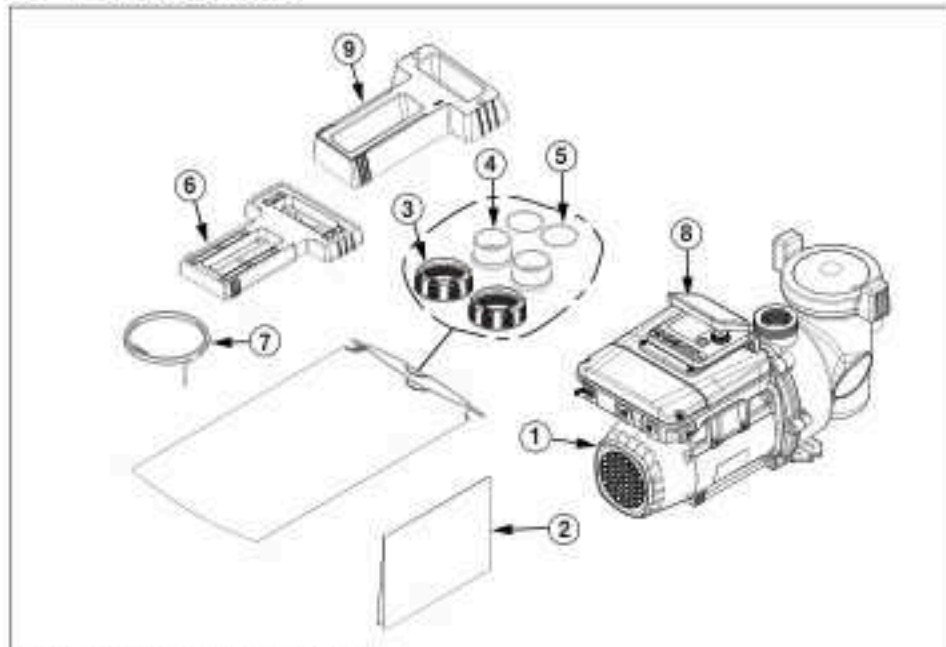


Figure 2. Variable-Speed Pump Carton Contents

Item	Description
1	Variable Speed Pump
2	Installation and Operation Manual
3	Union Nut (2)
4	Tailpiece (2)
5	O-Ring (2)
6	Small Adjustable Base w/Spacers, V5FHP Models
7	Cable - 10', 22GA, 4-conductor

Item	Description
8	SpeedSet Controller (Models ending in S only)
9	Large Base, V5FHP Models (Optional R0548400 sold separately)

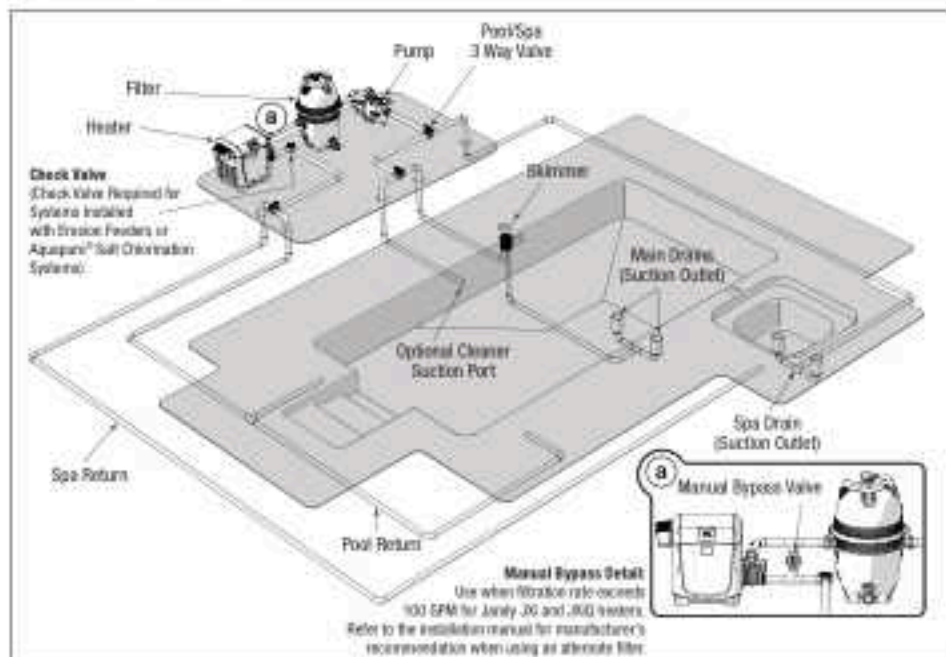


Figure 3. Typical Piping Installation

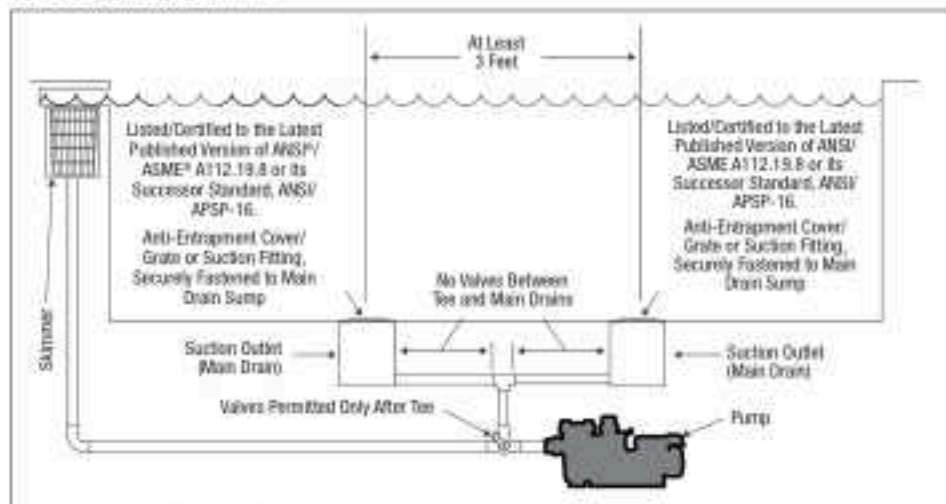


Figure 4. Number of Suction Outlets Per Pump

***Unblockable SOFA** – If acceptable by local code and Authority Having Jurisdiction (AHJ), a single unblockable SOFA may be used. For an unblockable SOFA to qualify as an unblockable drain under the Virginia Graham Baker Act (VGBA), the Suction Outlet Fitting Assembly (SOFA) shall be certified as unblockable, and be designated by the manufacturer as unblockable, and the manufacturer's instructions must state the SOFA is authorized for use as an unblockable suction outlet in accordance with ANSI/APSP/ICC-16. Certified unblockable SOFAs must be installed in accordance with the manufacturer's instructions, the latest edition of ANSI/PHTA/ICC-7, and applicable local code.

Section 3. Installation Information

3.1 Zero Clearance TEFC Motor

The Jandy pumps in this manual feature a **Zero Clearance** Totally Enclosed Fan Cooled (TEFC) motor. Unlike most TEFC motors which draw in cool air from the back of the fan shroud and require 2"-3" of clearance, the Jandy Zero Clearance TEFC motor pulls in air from the top, bottom and sides of the fan shroud. The Zero Clearance TEFC motor makes it possible to install the pump with minimal clearance between the back of the fan shroud and potential obstructions such as a fence or foundation. Clearance must still be provided on the sides of the motor and fan shroud to allow for adequate air-flow and maintenance of the pump.

3.2 Plumbing

3.2.1 Preparation Information

1. Check the pump carton for any damage. If any damage is found, contact the shipper or distributor where the pump was purchased.
2. Inspect the contents of the carton and verify that all parts are included.

3.2.2 Pump Location

Zodiac Pool Systems LLC recommends installing the pump within one foot (30 cm) above water level. The pump should not be elevated more than 5 feet (152 cm). If the pump is located below water level, isolation valves must be installed on both the suction and return lines to prevent back flow of pool water during any routine or required servicing.

⚠ WARNING

A check valve can interfere with the proper operation of certain Suction Vacuum Release System (SVRS) products. To avoid possible entrapment hazard, serious injury, or death, make sure to review the operation/owners manual of your particular SVRS product before installing the check valve.

To Reduce the Risk of Fire, install pool equipment in an area where debris will not collect on or around the equipment. Keep surrounding area clear of all debris such as paper, leaves, pine needles and other combustible materials.

⚠ CAUTION

In order to avoid premature failure or damage to the pump motor, protect the pump from direct water exposure from sprinklers, water runoff from rooftops and drainage, etc. Failure to comply may cause pump failure, and may void the warranty.

NOTE: When the pool equipment is located below the pool surface a leak can result in large scale water loss or flooding. Zodiac Pool Systems LLC cannot be responsible for such water loss or flooding or damage caused by either occurrence.

1. Install the pump such that any disconnecting means and/or junction boxes for power connection are within sight of the pump and at least five feet horizontally from the edge of the pool and/or spa. Choose a location that will minimize pipe turns.

NOTE: In Canada, the minimum distance maintained from the edge of the pool and/or spa as noted above must be 3 meters (10 feet), as required by the Canadian Electrical Code (CEC, CSA C22.1).

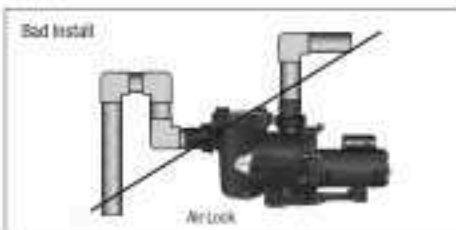
2. Place the pump on a solid foundation that will not vibrate. To further reduce the possibility of vibration noise, bolt the pump to the foundation.
3. Assure that the foundation has adequate drainage to prevent the pump motor from getting wet. The pump needs to be protected from the rain and sun.
4. Make sure the pump has the proper ventilation to prevent the motor from overheating.
5. Allow plenty of space for any maintenances by leaving a clear area around the pump.
6. Provide adequate lighting if the equipment is in a potentially dark area.

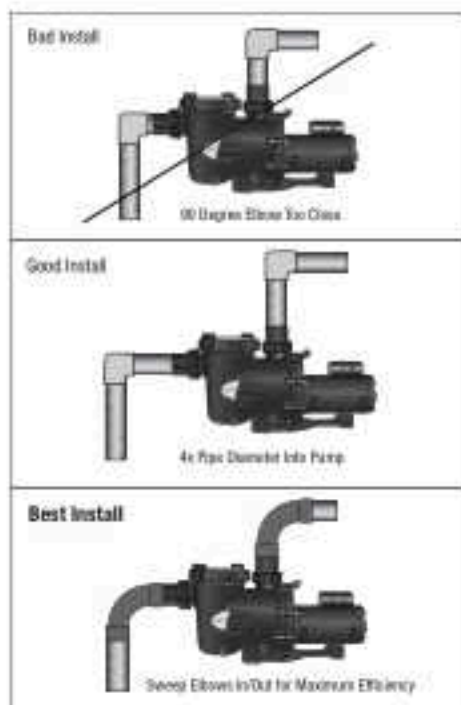
Pipe Size	Maximum Flow Suction (ft feet per second)	Maximum Flow Discharge (ft feet per second)
1½" (38 mm)	37 GPM (140 LPM)	50 GPM (189 LPM)
2" (51 mm)	62 GPM (235 LPM)	85 GPM (322 LPM)
2½" (64 mm)	88 GPM (333 LPM)	120 GPM (454 LPM)
3" (76 mm)	136 GPM (515 LPM)	184 GPM (697 LPM)
4" (102 mm)	214 GPM (806 LPM)	313 GPM (1185 LPM)

Table 1. Pipe Sizing Chart for Schedule 40 PVC

3.2.3 Installation Recommendations

1. To help prevent difficulty in priming, install the suction pipe without high points (above inlet of pump - inverted "U"s, commonly referred to in plumbing as an airlock) that can trap air. For installations of equipment up to 100 feet (30 m) from the water, refer to Table 1, the pipe sizing chart. For installations of equipment more than 100 feet (30 m) from the water, the recommended pipe size must be increased to the next size.





be installed in accordance with the manufacturer's instructions, the latest edition of ANSI/APHA/ICC-7, and applicable local code.

- The piping must be well supported and not forced together where it will experience constant stress.
- Always use properly sized valves.
- Use the fewest possible fittings and limit the use of 90 degree elbows. Each additional fitting or length of pipe increases resistance to flow which makes the pump work harder.

NOTE: If more than ten suction fittings are needed, the pipe size must be increased.

- Every new installation must be pressure tested according to local codes.

3.2.4 Adjustable Bases VSFHP Models

To replace an existing pump with different dimensions, use the adjustable bases to correctly align the suction and discharge ports with existing plumbing. The VS FloPro base and spacers increase the total height of the pump and the height of the suction side port of the pump. See Figure 5 and Table 2.

- The unions on both the suction and discharge ports simplify installation and service while eliminating the possibility of leaks at threaded adapters.
- The pump must be connected to at least two hydraulically-balanced main drains for each pool pump suction line. Each drain (suction outlet) assembly must be provided with covers and must be listed or certified to the latest published edition of ANSI/APSE® A112.19.8, or its successor standard, ANSI/APSP-16. The suction fittings of the main drains must be at least three feet (1 m) apart or at different planes. The suction fittings can be a drain and skimmer, two drains, two skimmers, or a skimmer with an equalizer line installed. Check the local codes for proper installation.

NOTE: To prevent entrapment, the system must be built so it cannot operate with the pump drawing water from only one main drain. At least two main drains must be connected to the pump when it is in operation. However, if two main drains run into a single suction line, the single suction line may be equipped with a valve that will shut off both main drains from the pump.

Unblockable SDOA – If acceptable by local code and the Authority Having Jurisdiction (AHJ), a single unblockable SDOA may be used. For an unblockable SDOA to qualify as an unblockable drain under the Virginia Graebner Safety Act (VGBA), the Suction Outlet Fitting Assembly (SOFA) shall be certified as unblockable, and be designated by the manufacturer as unblockable, and the manufacturer's instructions must state the SOFA is authorized for use as an unblockable suction outlet in accordance with ANSI/APSP/ICC-16. Certified unblockable SDOAs must

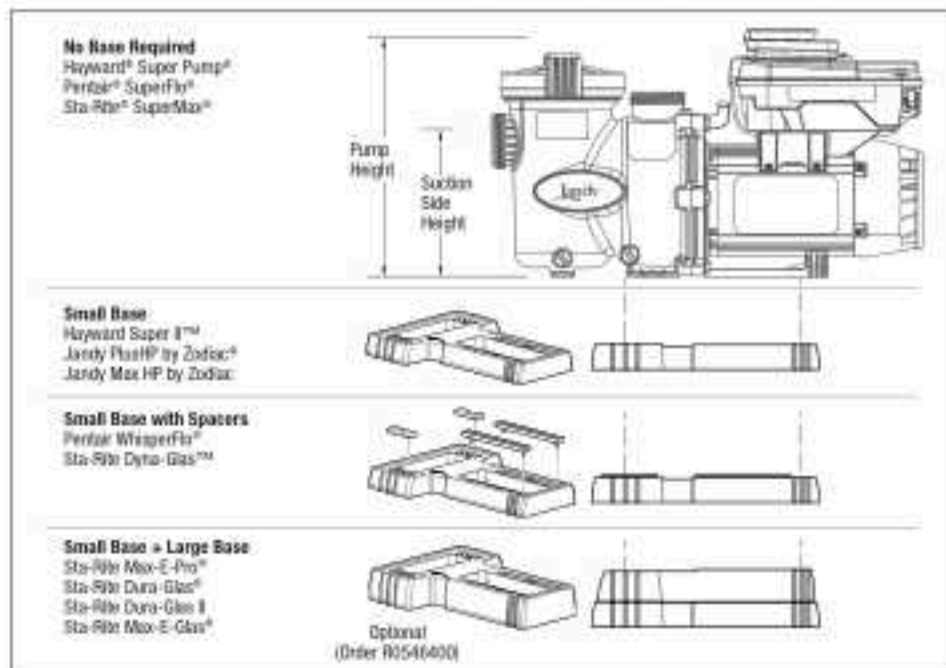


Figure 5. Base Configurations (VS FloPro Models Only)

MINIMUM WIRE SIZE AND MINIMUM OVERCURRENT PROTECTION*								
Distance from Sub-Panel		0-50 feet (15 m)		50-100 feet (15-30 m)		100-200 feet (30-60 m)		
Pump Model	Inverse-Time Circuit Breaker or Branch Fuse AMPs Class: CC, G, R, J, K, RK, or T		Voltage		Voltage		Voltage	
	208-230 VAC	115 VAC	208-230 VAC	115 VAC	208-230 VAC	115 VAC	208-230 VAC	115 VAC
VSPHP380VAG VSPHP380VAG	20A	NA	12 AWG	NA	10 AWG	NA	10 AWG	NA
VSPHP185DV2AG VSPHP270DV2AG VSPHP270DV2AG VSPHP220DV2AG VSPHP270DV2AG	15A	20A	14 AWG (2.1mm ²)	12 AWG (3.3mm ²)	12 AWG (3.3mm ²)	10 AWG (5.3mm ²)	10 AWG (5.3mm ²)	10 AWG (5.3mm ²)

* Assumes three (3) copper conductors in a bundled conduit and 3% maximum voltage loss in branch circuit. All National Electrical Code® (NEC®) and local codes must be followed. Table shows minimum wire size and branch fuse recommendations for a typical installation per NEC.

Base Configuration	Suction Side Height	Basket Lid Height	SpeedSet Controller Height
1. Pump without Base	7 3/4"	12 3/4"	14 1/8"
2. Pump with Base	8 7/8"	13 7/8"	15 1/4"
3. Pump with Base and Spacers	9 1/8"	14 1/8"	15 1/2"
4. Pump with Small + Large Base	10 3/4"	15 3/4"	17 1/8"

Table 2. Adjustable Base Dimensions (VS FloPro™ Models Only)

- Using a hand cutter tool, cut the plastic bars connecting the top and bottom sets of spacers, as shown in Figure 6.
- Push the two top spacers and two bottom spacers out of the base.
- Align the pins in the four spacers with the holes in the base. Snap the spacers into place (Figure 7).

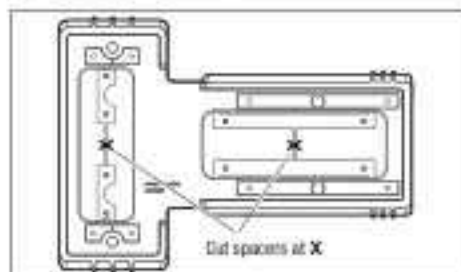


Figure 6. Cut Sets of Spacers Out of Base

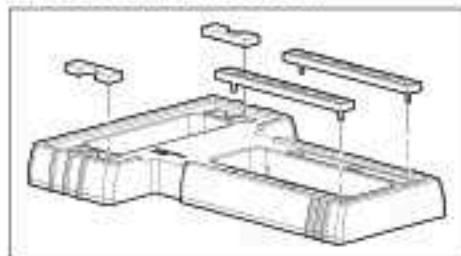


Figure 7. Snap Spacers Into Place

3.3 Electrical Installation

3.3.1 Voltage Checks

The correct voltage, as specified on the pump data plate, is necessary for proper performance and long motor life. Incorrect voltage will decrease the pump's ability to perform and could cause overheating, reduce the motor life, and result in higher electric bills.

It is the responsibility of the electrical installer to provide data plate operating voltage to the pump by ensuring proper circuit sizes and wire sizes for this specific application.

The National Electrical Code® (NEC®, NFPA-70®) requires all pool pump circuits be protected with a Ground Fault Interrupter (GFCI). Therefore, it is also the responsibility of the electrical installer to ensure that the pump circuit is in compliance with this and all other applicable requirements of the National Electrical Code (NEC) and any other applicable installation codes.

All variable-speed pumps, regardless of brand, make or model, are prone to create nuisance trips on GFCI breakers. Siemens® QFP or QF series GFCI breakers are highly recommended to minimize or eliminate these occurrences and offer 5 millamp personal protection while meeting 2008 to current NEC standards for pool pumps.

⚠ CAUTION

Failure to provide data plate voltage (+/- 10%) during operation will cause the motor to overheat and may void the warranty.

3.3.2 Bonding and Grounding

In addition to being properly grounded as described in Section 3.3.3, Electrical Wiring, and in accordance with the requirements of the National Electrical Code (NEC), or in Canada the Canadian Electrical Code (CEC), the pump motor must be bonded to all metal parts of the swimming pool, spa or hot tub structure and to all electrical components and equipment associated with the pool/spa water circulation system. The bonding must be accomplished by using a solid copper conductor, No. 8 AWG or larger. In Canada No. 6 AWG or larger must be used. Bond the motor using the external bonding lug provided on the motor frame. See Figure 9.

National Electrical Code® (NEC®) requires bonding of the Pool Water. Where none of the bonded pool equipment, structures, or parts are in direct connection with the pool water; the pool water shall be in direct contact with an approved corrosion-resistant conductive surface that exposes not less than 5800 mm² (9 in²) of the surface area to the pool water at all times. The conductive surface shall be located where it is not exposed to physical damage or dislodgement during usual pool activities, and it shall be bonded in accordance with the bonding requirements of NEC Article 680. Refer to locally enforced codes for any additional bonding requirements.

⚠ WARNING

Always disconnect the power source before working on a motor or its connected load.

Make sure that the control switch, time clock, or control system is installed in an accessible location, so that in the event of an equipment failure or a loose plumbing fitting, the equipment can be turned off. This location must not be in the same area as the pool pump, filter, and other equipment.

⚠ CAUTION

The pump must be permanently connected to a dedicated electrical circuit. No other equipment, lights, appliances, or outlets may be connected to the pump circuit.

3.3.3 Electrical Wiring

The Jandy pump models covered in this installation and operation manual provide separate compartments for high-voltage and low voltage wiring.

The low voltage compartment provides 2 openings:

- RS-485 quick connect port (see Figure 8)

NOTE: If the RS-485 Quick Connect Port is not used, a 3/8" liquid-tight cord-grp must be used to provide strain relief and water tight seal. Use Jandy 1-KT part number R0501100 or an equivalent alternative.

- 3/8" conduit port (threaded)

The high voltage compartment provides 3 conduit port openings (see Figure 9):

- 1/2" (threaded)
- 1/2" (threadless)
- 3/4" (threadless)

Conduit fittings (not included) are required. Conduit must be liquid-tight after installation.

1. Ground the pump using the green ground screw provided on the high-voltage terminal block. Do NOT ground or daisy chain the ground wire to the secondary green ground screw or daisy chain to on the wiring compartment chassis (see Figures 8 and 12). Also do not ground to a gas supply line.
 2. Wire size must be adequate to minimize voltage drop during the startup and operation of the pump.
 3. Insulate all connections carefully to prevent grounding or short-circuits. Sharp edges on terminals require extra protection. For safety, and to prevent entry of contaminants, reinstall all conduit and terminal box covers. Do not force connections into the conduit box.
- NOTE:** When power alone is supplied to this pump, it will not operate. It requires a digital command sent to it by either a variable speed controller (SpeedSet, JEP-R, or JCPUMP01), an automation system, or use of the dry contacts (See Figure 8 and Figure 9 for RS485 wiring illustrations for a local controller or automation system. See Figure 12 and Figure 13 for dry contact wiring illustrations).

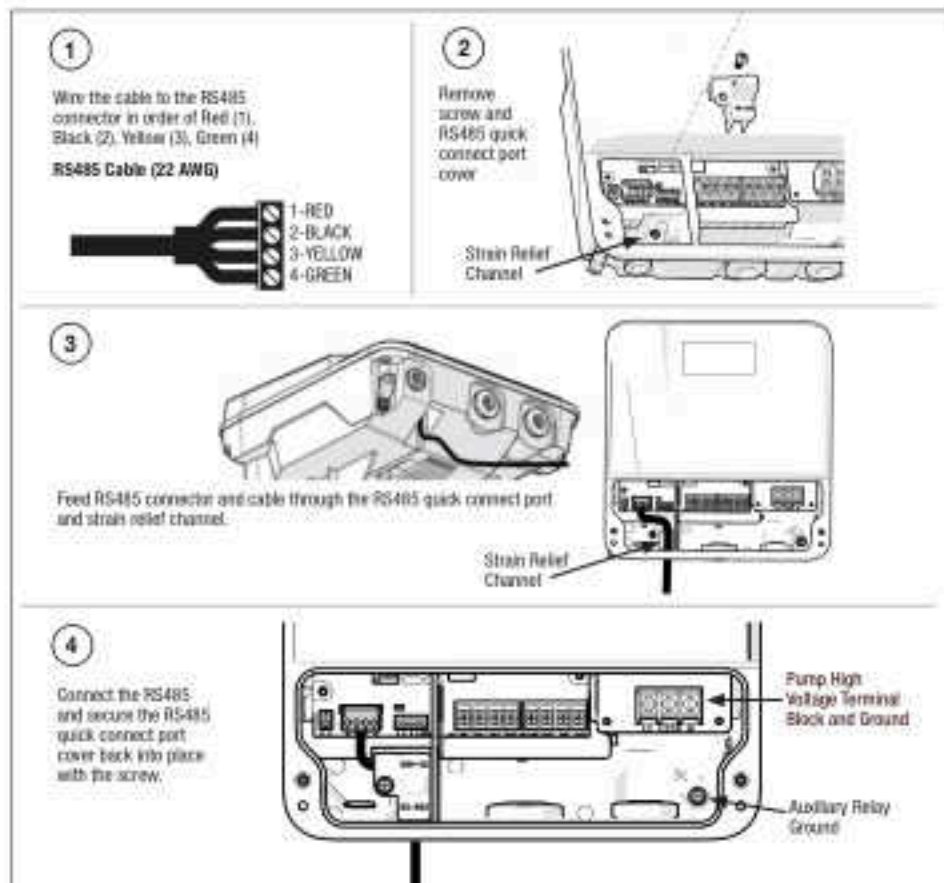


Figure 8. RS-485 Quick Connect Port with Wiring

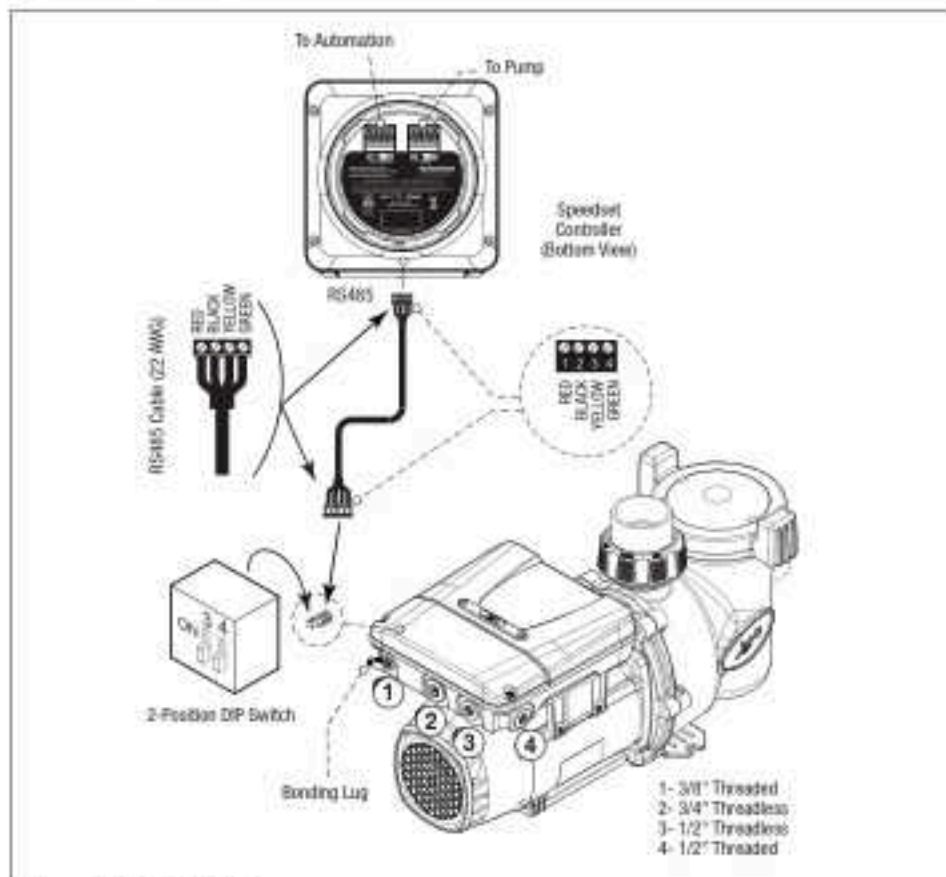


Figure 5. Wiring to a Controller

3.4 Pump Controller / Automation System Setup

Pumps in this manual are compatible with the following local Jandy controllers and automation systems:

- SpeedSet Controller (local)
- iQPUMP01 (local)
- JEP-R (local)
- All Jandy Automation Systems

Each motor is equipped with an auto-sensing power circuit which automatically determines if 10v of power should be supplied to the RS485 wiring in order to power a local controller interface, or to suppress the 10v power supply when connected to a Jandy Automation system when the motor is first turned on.

This auto sensing power circuit eliminates the need for DIP Switches 1-2 that are present on other Jandy Pumps.

3.5 DIP Switch Settings

3.5.1 DIP Switch Settings with Local Controller

Please refer to the following table for required settings for DIP switches 3-4 when the pump is connected to a local controller.

Controller	Switch 3	Switch 4
JEP-R	OFF	OFF
iQPUMP01	OFF	OFF
SpeedSet	DIP Switch 3-4 settings are only important when connected to a Jandy automation system using SpeedSet automation (pass-through wiring) connection on the bottom of the controller. If applicable, please see following sections.	

Table 3. Local Controller DIP Switch Settings

3.5.2 DIP Switch Settings with Automation

DIP Switch 3-4 setting rules are not common across all Jandy automation systems. Please reference the following sections to understand the required settings. For Jandy AquaLink® RS Automation System users, a 2022 mid-year update changes the method in which pumps in this manual interact with Jandy AquaLink RS systems. Refer to the RS manual for more information.

3.5.3 Pre-2022 AquaLink RS Firmware Rev. V and Earlier

AquaLink RS systems using firmware Rev. V and earlier, manufactured prior to mid-year 2022, support up to 4 variable-speed pumps. Each pump is assigned an address of 1 through 4 using DIP Switches 3-4 on the pump. Use the table below for pump address assignment settings.

These settings are used when connected to the RS485 connection on the pump or when connected to the pump using a SpeedSet controller's automation pass-through wiring connection on the bottom of the controller.

Address	Switch 3	Switch 4
Pump 1	OFF	OFF
Pump 2	ON	OFF
Pump 3	OFF	ON
Pump 4	ON	ON

Table 4. Pump Address DIP Switch Settings

3.5.4 2022 AquaLink RS Firmware Rev. W and Later

AquaLink RS systems using Rev. W and later, manufactured after mid-year 2022, support up to 16 variable-speed pumps that utilize a pre-assigned SERIAL ADDRESS. DIP Switches 3-4 are not utilized. Pumps in this manual are all assigned a unique SERIAL ADDRESS at the factory. The SERIAL ADDRESS label can be found on the pump motor in the location shown below.

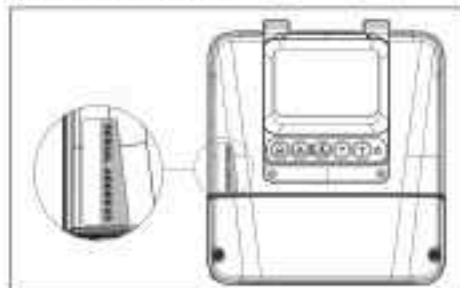


Figure 10. Serial Address Label Location

When setting up pumps using this method, the pump address of each pump will initially appear in the unassigned pump address section of the iAquaLink App or other automation setup device. Utilize the App or other device to complete pump setup.

3.5.5 AquaLink TCX

AquaLink TCX supports a single variable-speed pump. DIP Switches 3-4 must always be set in the OFF position when the pump is connected to a TCX Automation System. This is true even when connected to a TCX system using the automation pass-through wiring on a Jandy SpeedSet controller.

3.5.6 All Other Jandy Automation Systems

All other Jandy automation systems support up to 4 variable-speed pumps utilizing DIP Switches 3-4 in the same manner as defined in Section 3.5.3, Pre-2022 AquaLink RS Firmware Rev. V and Earlier.

3.6 Auxiliary Relay Operation

Pumps models in this manual are equipped with a terminal bar that provides user access to two built-in Auxiliary Relays. The normally-open relays are activated under certain operating conditions and are intended to be used to control external devices that require system water flow for proper functioning, such as booster pumps, salt water chlorinators, etc.

See Figures 8, 12 and 73 for compartment details and location of the auxiliary relays and wiring illustrations.

Auxiliary Load Connection Requirements

⚠ WARNING

ELECTRICAL SHOCK HAZARD

Due to the potential risk of fire, electric shock, or injuries to persons, Jandy® Pumps and any auxiliary loads must be installed in accordance with the National Electrical Code® (NEC®), all local electrical and safety codes, and the Occupational Safety and Health Act (OSHA). Copies of the NEC may be ordered from the National Protection Association, 1 Batterymarch Park, Quincy, MA 02169, or from your local government inspection agency.

In Canada, Jandy Pumps must be installed in accordance with the Canadian Electrical Code (CEC).

- The Auxiliary Load relay contacts are rated at 230V/115V, 11A RMS. Please ensure the requirements of the equipment to be connected to the Auxiliary Load do not exceed this rating.

3.6.1 Auxiliary Relay Operation

Auxiliary Relay contact activation is speed dependent. Auxiliary Relay 1 has an activation speed of 1725 RPM and Auxiliary Relay 2 has an activation speed of 2250 RPM.

The Jandy SpeedSet controller provides the ability to reprogram the Auxiliary Relay open/close speeds for customization. Open/close speed settings that are changed using this feature are permanent even if the SpeedSet controller is disconnected.

Please refer to the "Settings" section in the Jandy SpeedSet controller I/O manual for additional details.

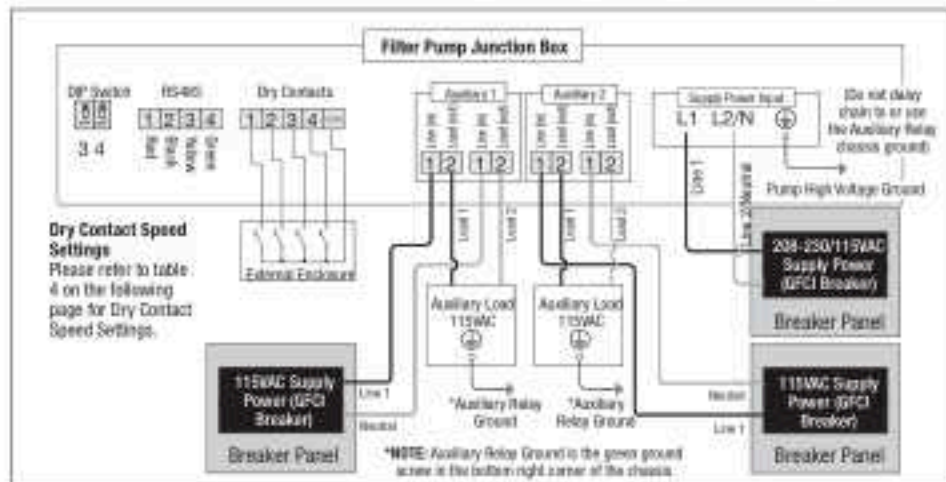


Figure 13. 115V Auxiliary Relay Wiring Diagram*

* ⚠ WARNING

ELECTRICAL SHOCK HAZARD

Due to the potential risk of fire, electric shock, or injuries to persons, Jandy® Pumps and any auxiliary loads must be installed in accordance with the National Electrical Code® (NEC®), all local electrical and safety codes, and the Occupational Safety and Health Act (OSHA). Copies of the NEC may be ordered from the National Protection Association, 1 Batterymarch Park, Quincy, MA 02169, or from your local government inspection agency.

In Canada, Jandy Pumps must be installed in accordance with the Canadian Electrical Code (CEC).

* The Auxiliary Load relay contacts are rated at 230V/115V, 11A RMS. Please ensure the requirements of the equipment to be connected to the Auxiliary Load **do not exceed this rating.**

** 115VAC power supply for main pump power is supported on DV2A models only.

⚠ WARNING

When pressure testing a system with water, air is often trapped in the system during the filling process. This air will compress when the system is pressurized. Should the system fail, this trapped air can propel debris at a high speed and cause injury. Every effort to remove trapped air must be taken, including opening the valve on the filter and loosening the pump basket lid while filling the pump.

Trapped air in the system can cause the filter lid to be blown off, which can result in death, serious injury, or property damage. Be sure all air is properly purged out of the system before operating. **DO NOT USE COMPRESSED AIR TO PRESSURE TEST OR CHECK FOR LEAKS.**

ELECTRICAL SHOCK HAZARD

Do not pressure test above 35 PSI. Pressure testing must be done by a trained pool professional. Circulation equipment that is not tested properly might fail, which could result in severe injury or property damage.

When pressure testing the system with water, it is very important to make sure that the pump basket lid is completely secure.

4.2 Conduct Pressure Test

IMPORTANT

All VSSHP models come with an additional disposable O-ring for pressure testing. This is the blue pressure test O-ring (See Figure 14 and Figure 15). If you opened the pump lid before conducting the pressure test, the blue O-ring may fall out. If the blue O-ring falls out, it must be re-installed on the lid before beginning the pressure test. Section 4.2.1, *Replace Blue O-ring Before Pressure Testing, if necessary.*

1. Before pressurizing the system, ensure the lock ring "locked" indicators align with the suction and pressure side ports on the pump.
2. Fill the system with water to eliminate trapped air.
3. Pressurize the system with water to no more than **35 PSI**.
4. Close the valve to seal the water in the system.
5. Observe the system for any leaks or pressure decay.
6. If there are lid leaks, repeat this procedure.
For Zodiac Technical Support, call 1.800.822.7903.

⚠ CAUTION

Do not open the pump lid before pressure testing as the blue pressure test O-ring may fall out. If this happens, you will need to place it back on the lid.



Figure 14. Blue Pressure Test O-ring

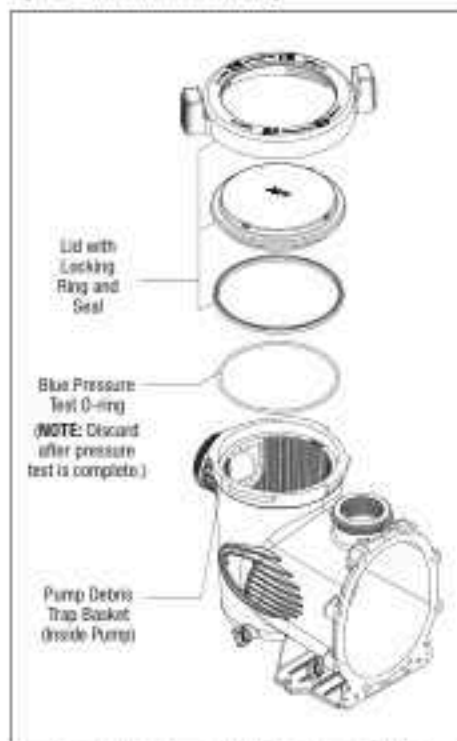


Figure 15. Exploded View with Blue Pressure Test O-ring (VSSHP Pump Models Only)

4.2.1 Replace Blue O-ring Before Pressure Testing, if necessary

1. Make sure that the pump is turned off.
2. Make sure that the switch to the circuit breaker that powers the pump motor is turned off.

⚠ WARNING**ELECTRICAL SHOCK HAZARD**

Due to the potential risk of fire, electric shock, or injuries to persons, Jandy® Pumps must be installed in accordance with the National Electrical Code® (NEC®), all local electrical and safety codes, and the Occupational Safety and Health Act (OSHA). Copies of the NEC may be ordered from the National Protection Association, 1 Batterymarch Park, Quincy, MA, 02169, or from your local government inspection agency.

In Canada, Jandy Pumps must be installed in accordance with the Canadian Electrical Code (CEC).

ELECTRICAL SHOCK HAZARD

Turn off the pump and the main breaker in the pump electrical circuit before starting the procedure. Failure to comply may cause a shock hazard, resulting in severe personal injury or death.

3. Make sure all necessary isolation valves are closed to prevent pool water from reaching the pump.
4. Following the markings on the locking ring, turn the ring counter-clockwise to remove the lid.
5. Carefully remove the lid with locking ring.

Upside Down View of Bottom of Lid

Figure 16. Placement of Blue Pressure Test O-ring

4.2.2 Replace Blue O-ring

1. Turn the lid with locking ring upside down.
2. Place the blue O-ring on the step located '¼' from the bottom of the lid. See Figure 16.
3. Make sure that the O-ring is properly seated.
4. Install the lid onto the pump body.
5. Follow the markings on the locking ring, turn the lid clockwise until the PORT arrow markings are aligned with the inlet and outlet ports of the pump. Do NOT tighten past this point.

Section 5. Operation

5.1 Startup

⚠ CAUTION

Never run the pump without water. Running the pump "dry" for any length of time can cause severe damage to both the pump and motor and may void the warranty.

If this is a new pool installation, make sure all piping is clear of construction debris and has been properly pressure tested. The filter should be checked for proper installation, verifying that all connections and clamps are secure according to the manufacturer's recommendations.

⚠ WARNING

To avoid risk of property damage, personal injury or death, verify that all power is turned off before starting these steps.

5.1.1 Pump Below Water Level

1. Ensure the pump lid is secure by verifying the "locked" indicators are aligned with the pump's ports. Hand tighten only, do not use tools. Make sure valves are open and the pump unions are tight.
2. Open any isolation valves that may be in place between the pump and the pool's main drain(s) and skimmer(s).
3. Open the air relief valve on the filter. This will allow air to begin to escape the system and fill the pump with water for priming.
4. Restore power to the pump and start the pump.
5. When water starts to come out of the air relief valve on the filter, close the air relief valve.
6. Inspect system for any leaks.

5.1.2 Pump Above Water Level

1. Open the air relief valve on the filter.
2. Remove the pump lid and fill the basket with water.
3. Prior to replacing the lid, check for debris around the lid O-ring seal. Debris around the lid O-ring seal may cause an air leak and will make it difficult for the pump to prime.
4. Tighten the lid by verifying the "locked" indicators on the lid are aligned with the pump's ports. Hand tighten only, do not use tools. Make sure all valves are open and the pump unions are tight.
5. Restore power to the pump and start the pump.
6. Once the pump has primed and water comes out of the air relief valve on the filter, close the air relief valve and inspect the system for any leaks.

NOTE: All pumps in this manual are NSF-certified as being able to prime at heights up to 10 ft above the pool water level, at sea level. However, to achieve better self-priming, install the pump as close as possible to the water level of the pool.

See Section 3.2.3, *Installation Recommendations for proper elevation and pipe size.*

The default priming speed is 2750 RPM. The pump will take approximately 15 minutes to prime at this priming speed when the pump is located 10 feet above the pool water. If priming speed is adjusted to 3450 RPM, the pump should prime within 6 minutes at 10 feet above the water level.

If the pump does not prime and all the instructions to this point have been followed, check for a suction leak. If there is no leak, repeat Steps 1 through 5.

For technical assistance, call Zodiac Technical Support at 1.800.822.7933.

Section 6. Service & Maintenance

⚠ CAUTION

To avoid damage to the plastics, do not use lubricant or sealant on the O-ring. Only soapy water should be used to install and lubricate the O-ring.

6.1 Clean Pump Basket

Debris that accumulates in the pump filter basket will begin to block the flow of water. The pump filter basket needs to be inspected and cleaned on a weekly basis. Environmental factors may require more frequent inspection.

1. Inspect the pump filter basket for debris by looking through the clear pump lid. This can be done with or without the pump running. If debris has accumulated, proceed to step 2.
2. Turn off the power to the pump. If the pump is located below the water level, close the isolation valves on the suction and discharge sides of the pump to prevent backflow of water.
3. Turn the locking ring counter-clockwise to remove the lid.
4. Lift the basket out of the pump.
5. Thoroughly clean the basket. If necessary, use a garden hose, spray the basket from the outside to help clear the holes. Remove any remaining debris.
6. Replace the basket in the pump by aligning the opening with the suction pipe. If aligned properly, the basket will drop easily into place. Do not force it into place.

⚠ CAUTION

A misaligned basket will cause the lid to be improperly sealed, allowing an air leak, which could result in pump damage.

7. Remove the lid seal and remove debris around the lid seal seat, as this can allow air to leak into the system. Clean the lid seal and place it on the lid.
8. Replace the lid and locking ring. Hand-tighten the lid to make an air-tight seal. Do not use any tools to tighten the lid; hand-tighten only.

9. Verify that all valves have been returned to the proper position for normal operation.
10. Open the pressure release valve on the filter, and make sure it is clean and ready for operation.
11. Turn on the power to the pump. Once all the air has been evacuated from the filter, close the pressure release valve.

6.2 Removing the Pump Lid

1. Make sure that the pump is turned OFF.
2. Make sure that the switch to the circuit breaker to the motor is turned OFF.
3. Make sure all necessary isolation valves are closed to prevent water from reaching the pump.
4. Following the markings on the locking ring, turn the ring counter-clockwise to remove the lid.
5. Carefully remove the lid with locking ring.

⚠ WARNING

ELECTRICAL SHOCK HAZARD

Turn off all switches and the main breaker in the variable speed pump electrical circuit before starting the procedure. Failure to comply may cause a shock hazard resulting in severe personal injury or death.

ELECTRICAL SHOCK HAZARD

Due to the potential risk of fire, electric shock, or injuries to persons, Jandy® Pumps must be installed in accordance with the National Electrical Code® (NEC®), all local electrical and safety codes, and the Occupational Safety and Health Act (OSHA). Copies of the NEC may be ordered from the National Protection Association, 1 Batterymarch Park, Quincy, MA, 02169, or from your local government inspection agency.

In Canada, Jandy Pumps must be installed in accordance with the Canadian Electrical Code (CEC).



Figure 18. Remove Pump Lid

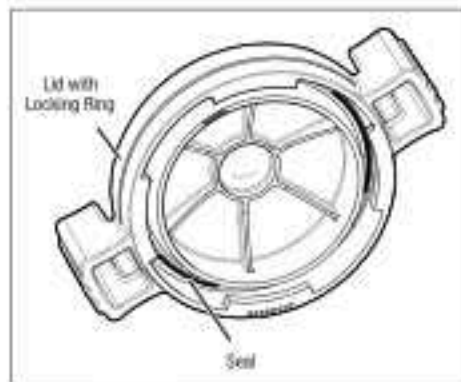


Figure 17. O-ring in Lid Assembly

6.2.1 ePump and VS PlusHP Lid Seal Orientation

The lid seal used on ePump and VS PlusHP pumps must be installed in the following orientation if the seal is removed or replaced for service due to leaks or for cleaning.

1. Remove the seal from the lid. See Figure 18.
2. Wipe the seal clean of any debris, then clean the O-Ring groove in the lid.
3. Insert the seal into the lid groove with the two (2) ribs facing inwards into the lid groove and the one (1) rib facing outwards toward the pump. See Figure 19 for a cross-section visual.

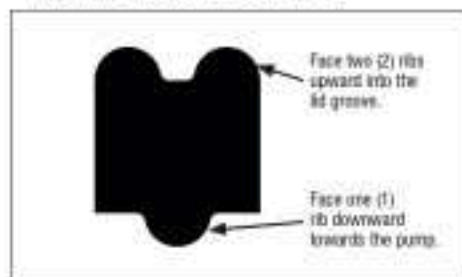


Figure 19. Cross Section of Lid Seal

6.3 Winterizing the Pump

⚠ CAUTION

The pump **must** be protected when freezing temperatures are expected. Allowing the pump to freeze will cause severe damage and may void the warranty.

Do not use antifreeze solutions in the pool, spa, or hot tub systems. Antifreeze is highly toxic and may damage the circulation system. The only exception to this is Propylene Glycol. For more information, see your local pool/spa supply store or contact a qualified swimming pool service company.

1. Drain all water from the pump, system equipment, and piping.
2. Remove the two (2) drain plugs. Store the drain plugs in a safe location and reinstall them when the cold weather season is over. **Ensure the drain plugs and o-rings are not misplaced.**
3. Keep the motor covered and dry. Do not cover the pump with plastic, because this will create condensation that may damage the pump.

NOTE Zodiac Pool Systems LLC recommends having a qualified service technician or electrician properly disconnect the electrical wiring at the switch or junction box. Once the power is removed, loosen the two (2) unions and store the pump indoors. For safety, and to prevent entry of contaminants, reinstall all conduit and terminal box covers.

4. When the system is reopened for operation, have a qualified technician or electrician make sure all piping, valves, wiring and equipment are in accordance with the manufacturer's recommendations. Pay close attention to the filter and electrical connections.
5. The pump must be primed prior to starting. Refer to Section 5.1, Startup.

Section 7. Troubleshooting and Repair

Zodiac Pool Systems LLC strongly recommends that you call a qualified service technician to perform any repairs on the filter/pump system. To locate a qualified technician, check your local yellow pages or visit ZodiacPoolSystems.com or ZodiacPoolSystems.ca and click on "Find a Dealer"

Symptom	Possible Cause/Solution
Motor won't start or the controller does not detect the motor	No power to the motor. Have a certified professional check the voltage on the main power terminal with the breaker on. The voltage must be within 10% of the motor rating plate voltage.
	The motor experienced an error. Power cycle the motor. If the motor has experienced an error, a fault code may appear on the controller. In order to clear the error, turn off the main breaker connected to the motor. Wait at least 5 minutes before returning power to the motor. The voltage in the capacitors must be completely drained for a proper power cycle.
	Improper low voltage wiring. The RS-485 connection must be secure with no broken wires. Inspect the low voltage wiring for signs of corrosion. If necessary cut the wires off and strip new leads. Make sure there are not any broken pieces of wire inside the RS-485 connector.
	Broken low voltage wiring. The wire may have breaks somewhere between the motor and the controller. With all power off, take a multimeter and set it to Ohms/Continuity. Check continuity of each of the low voltage lines from the motor side to the controller side. Replace the RS-485 wires completely if necessary.
	Improper low voltage wiring. Check the wiring of the RS-485 connector. Wire colors for pins 1-4 should be Red, Black, Yellow, Green.
	Test the drive with the RS-485 jumper method. Using small sections of 22 AWG wire, jump pins 1 to 3 and 2 to 4. These wires can be made by cutting off a section of the RS-485 wires. Re-install the connector and attach the access cover. Apply power to the motor. The motor should spin at 2500 RPM indefinitely. If the motor works, there is a problem with the RS-485 line or with the controller. Contact Zodiac Technical Support at 1.800.822.7933.
	DP switches in the wrong configuration. The variable speed drive has two DP switches; 3 and 4. These must both be in the OFF position for Pump 01. This is the configuration for all controllers that are not automation and the first pump for automation. If more than one variable speed pump is being controlled with an automation system, they must be in the proper configuration. Refer to the DP switch section of the manual to configure the other motors.
	Check the schedule. The motor will only turn on during programmed times set in the controller. Verify that the motor is scheduled to turn on at that time.
	If the motor still has problems starting or continues to show faults, contact Zodiac Technical Support at 1.800.822.7933.
Motor does not start or starts but shuts off soon after	Debris may be stuck between the impeller and the diffuser. This will prevent the drive shaft from spinning and will cause the motor to experience an error. Have a certified professional check to see if the drive shaft is seized with all power off. A quick test can be inserting a 5/16" Allen wrench through the back of the fan housing and into the drive shaft. Manually spin the drive shaft to check if it is seized. If large amounts of debris are found, check your strainer basket for breaks. Replace the strainer basket if necessary.
	If the motor still has problems starting, contact Zodiac Technical Support at 1.800.822.7933.
The motor gets hot and shuts off periodically	Make sure that there is adequate room around the motor to circulate air and keep the motor cool. Have a qualified electrician check for loose connections and check the voltage at the motor while it is in operation. If the main voltage is outside of 10% of the motor rating plate, the motor may be experiencing excessive loads. Contact your local power source provider.
No power to controller	This is exclusive to any controller that is not an automation system. The motor has the ability to power supplies through the RS-485 line. Have a certified electrician test the voltage on the RS-485 line while there is power to the motor. There should be between 6 and 12 Volts DC between pins 1 and 4. If the voltage is below or non-existent, contact Zodiac Technical Support at 800.822.7933.
	Improper low voltage wiring. Check the wiring of the RS-485 connector. Wire colors for pins 1-4 should be Red, Black, Yellow, Green.
Auxiliary relays not working	Make sure that the motor is spinning at least 1725 RPM for equipment wired to Aux 1 and 2250 RPM for equipment wired to Aux 2. When first turning on the pump, there is a 3 minute delay before any contacts close. Allow 5 seconds before contacts close when minimum contact speed is reached.
	The problem may be with the equipment wired to the relay. See the owners manual for the equipment to make sure the auxiliary equipment has not failed.
	If the relays are still not engaging, contact Zodiac Technical Support at 1.800.822.7933.

Symptom	Possible Cause/Solution
No Communication with Automater	The Jandy automation has lost communication with the pump. Remove power from the automation system and the pump. Wait five (5) minutes and return power to the automation system FIRST, wait one (1) minute, then return power to the pump.
Dry Contacts not working	Test the drive with the RS-485 jumper method. Using small sections of 22 AWG wire, jump pins 1 to 3 and 2 to 4. These wires can be made by cutting off a section of the RS-485 wires. Re-install the connector and attach the access cover. Apply power to the motor. The motor should spin at 2600 RPM indefinitely. If the motor works, there is a problem with the dry contacts or the dry contact lines. Contact Zodiac Technical Support at 1.800.822.7933.
	Broken low voltage wiring. The wire may have broke somewhere between the motor and the external switches. With all power off, take a multimeter and set it to Ohms/Continuity. Check continuity of each of the low voltage lines from the motor side to the controller side. Replace the dry contact wires completely if necessary.

7.1 Service Technician Maintenance

⚠ CAUTION

This pump must be serviced by a professional service technician qualified in pool/spa installation. The following procedures must be followed exactly. Improper installation and/or operation can create dangerous electrical hazards, which can cause high voltages to run through the electrical system. This can cause property damage, serious personal injury, and/or death. Improper installation and/or operation may void the warranty.

⚠ WARNING

Before servicing the pump, switch off the circuit breakers at the power source. Severe personal injury or death may occur if the pump starts while your hand is inside the pump.

7.1.1 Blocked Impeller

1. Turn off the pump. Switch off the circuit breaker to the pump motor.
2. Remove the lid and basket.
3. Look inside the pump and remove any debris.
4. Replace the basket and lid.
5. Switch on the circuit breaker to the pump motor.
6. Turn on the pump, and see if the problem is solved.
7. If the impeller is still blocked with debris and it is not possible to remove the debris using Steps 2 through 4, the pump will need to be disassembled in order to access the inlet and outlet of the impeller.

Section 8. Product Specifications and Technical Data

Exploded view for general reference only. Specific models may differ. Please refer to contact information above to obtain spare parts information for specific pump models. For a complete list of replacement parts, please visit www.jandy.com or contact Zodiac Technical Support at 1.800.822.7933 or email productsupport@fluidra.com. In Canada, please call 1.888.647.4004 or email customer.service@fluidra.com.

8.1 Exploded Views

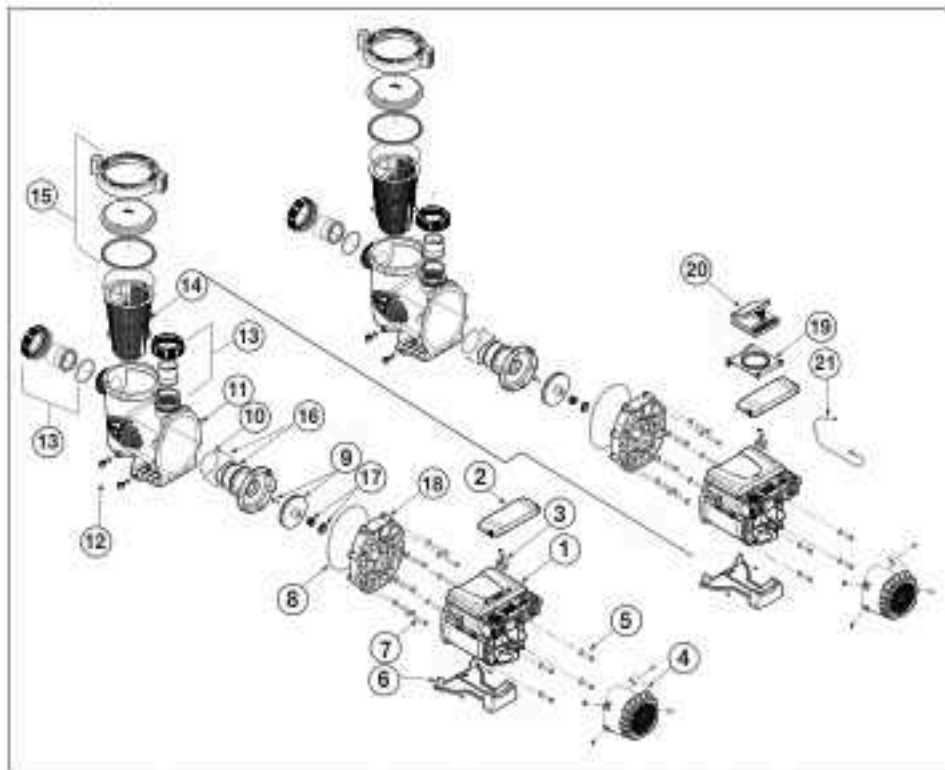


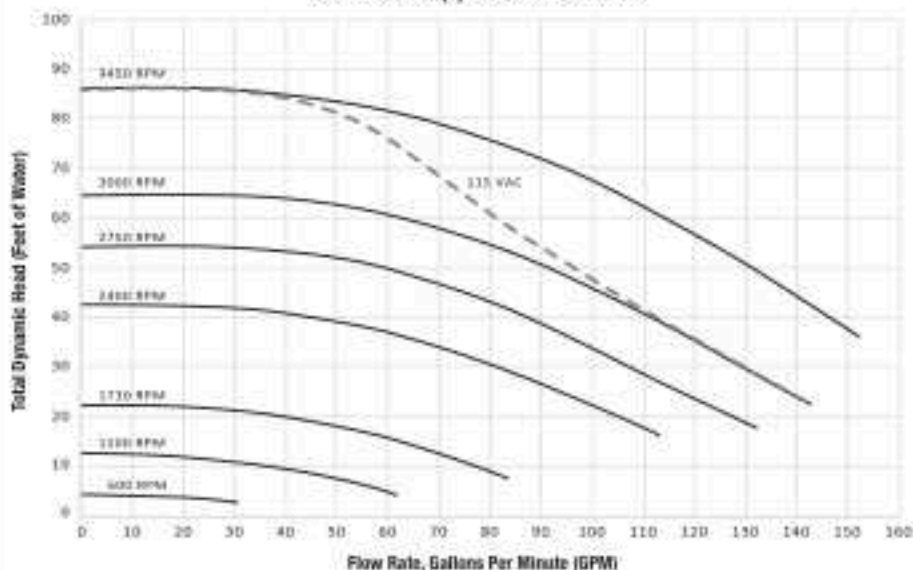
Figure 20. Jandy Variable Speed Pump Exploded View (Specific models may differ slightly from illustration)

Item	Description
1	Motor, Drive
2	Access Cover
3	Access Cover O-Ring
4	Fan Cover
5	Motor Mounting Bolts/Washers
6	Motor Mounting Foot
7	Backplate Mounting Bolts/Washers
8	Backplate O-Ring
9	Impeller and Mounting Screw
10	Diffuser O-Ring
11	Pump Body

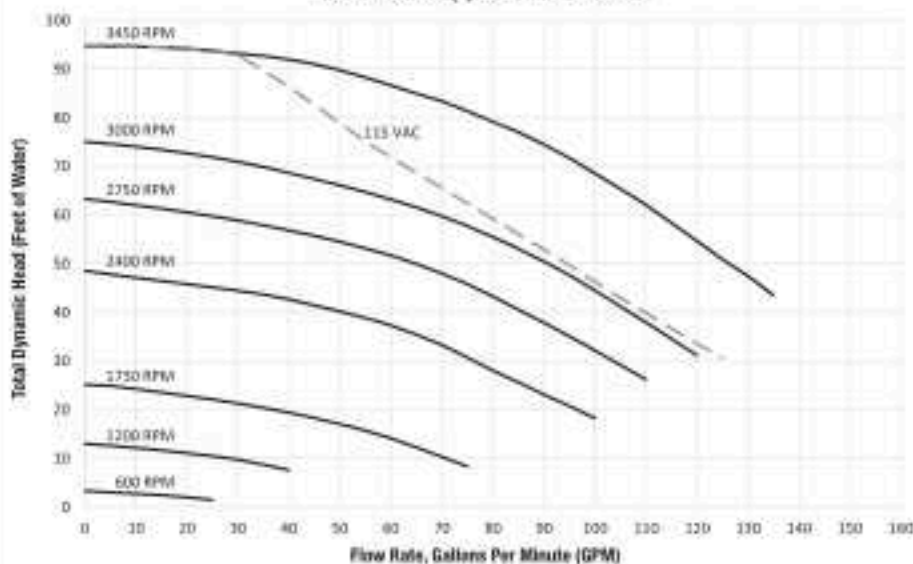
Item	Description
12	Down Plugs with O-Ring
13	Tail Piece, O-Ring and Union Nut
14	Pump Debris Filter Basket
15	Lid Assembly
16	Diffuser and Mounting Screws
17	Mechanical Seal
18	Backplate
19	SpeedSet Controller Hinge Mount
20	SpeedSet VS Pump Controller
21	RS485 Wiring for SpeedSet Controller

8.2 Performance Curves

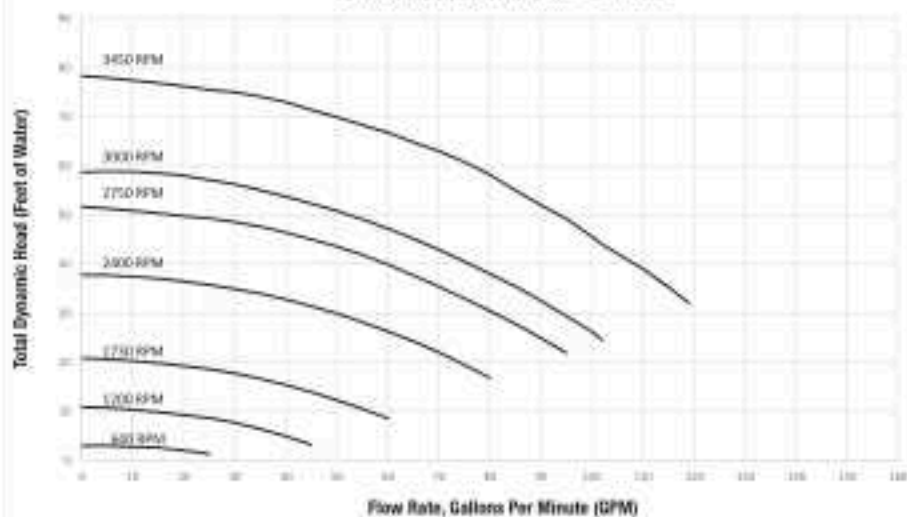
VSPHP270DV2A(S) Performance Curves



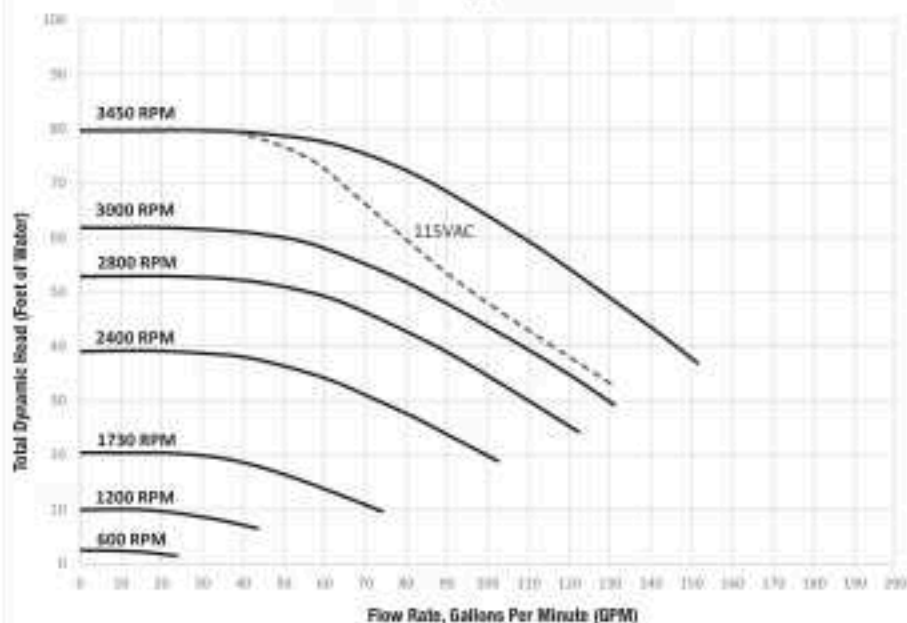
VSPHP270DV2A(S) Performance Curves



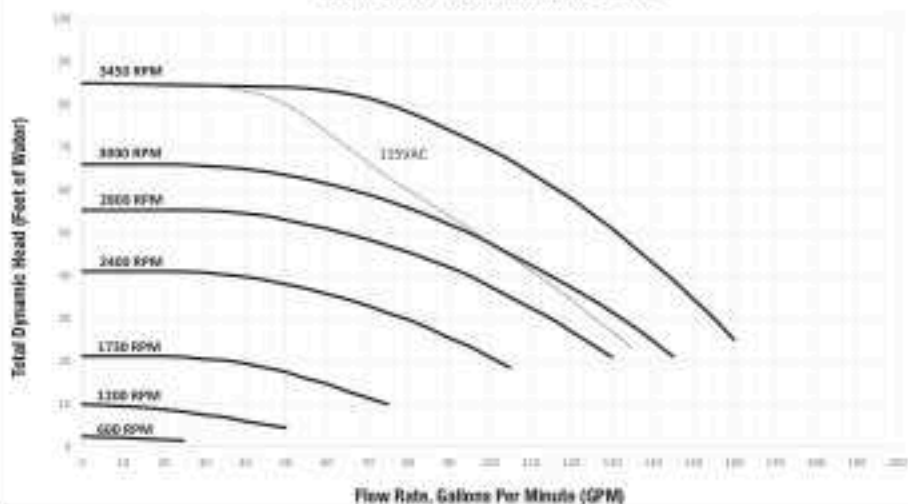
V5FHP185DV2A(S) Performance Curves



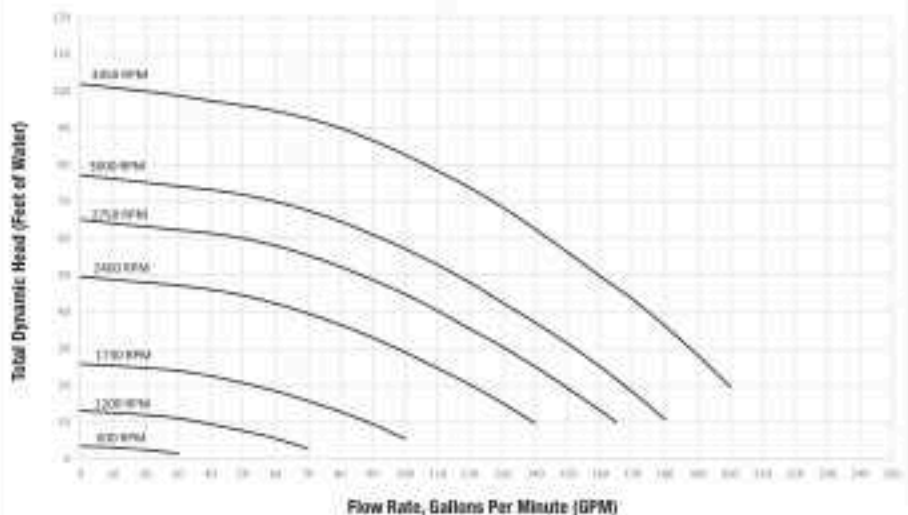
V55HP220DV2A(S) Performance Curves



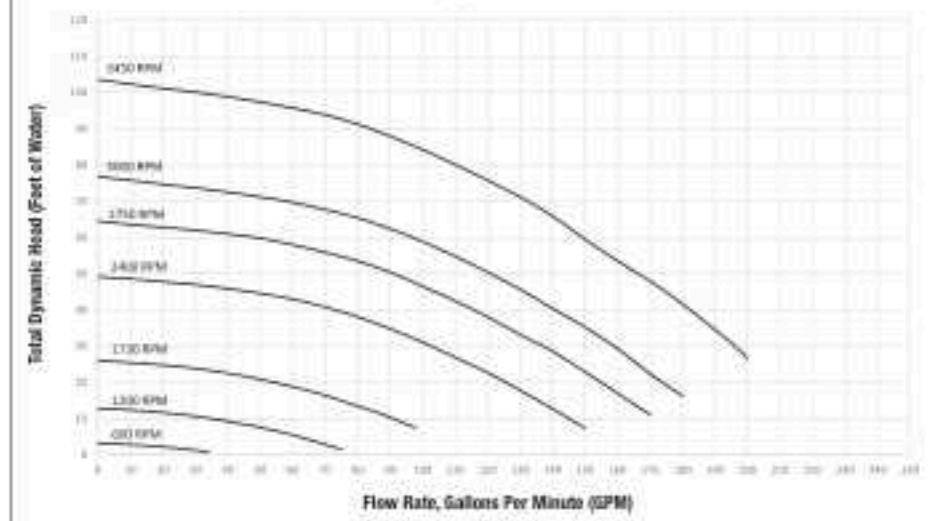
VSSH270DV2A(S) Performance Curves



VSHP3802A(S) Performance Curves



VSSHP3802A(S) Performance Curves



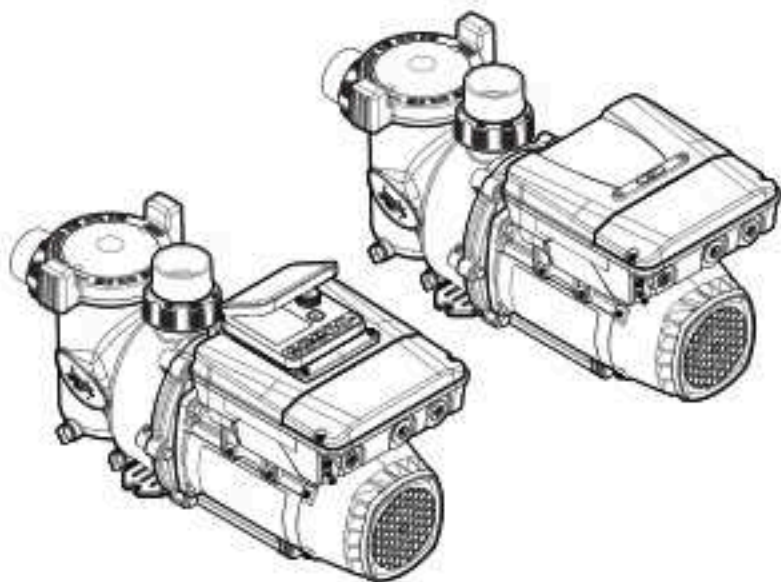
A Fluidra Brand | jandy.com | jandy.ca
2882 Whiptail Loop # 100, Carlsbad, CA 92010, USA | 1.800.822.7993
2-3365 Mainway, Burlington, ON L7M 1A6, Canada | 1.800.822.7933

©2020 Fluidra. All rights reserved. The trademarks and trade names used herein are the property of their respective owners.

H0707400_REV F



ETL LISTED CONFORMS TO UL STD 609
CERTIFIED TO CSA STD C22.2 NO 408



Pompes à vitesse variable

Modèles : VSFHP185DV2A(S) VSFHP270DV2A(S) VSPHP270DV2A(S)
 VSSHHP220DV2A(S) VSSHHP270DV2A(S) VSFHP3802A(S)
 VSSHHP3802A(S)

Les instructions essentielles d'installation et de démarrage sont incluses dans ce manuel. Des informations supplémentaires sur le fonctionnement et le dépannage sont disponibles en ligne en scannant le code QR avec votre téléphone ou en visitant jandy.com



▲ AVERTISSEMENT

POUR VOTRE SÉCURITÉ – Ce produit doit être installé et entretenu par un entrepreneur agréé et compétent dans le matériel de piscine par la juridiction dans laquelle ce produit sera installé où de telles exigences existent au niveau des États ou au niveau local. Le maintien devra être fait par une personne professionnelle avec suffisamment d'expérience avec l'installation et le maintien de matériel de piscine de façon exacte. Avant d'installer ce produit, lisez et suivez tous les avertissements et instructions qui accompagnent ce produit. Si vous ne suivez pas les avertissements et instructions, cela peut entraîner des dommages matériels, des blessures personnelles, ou la mort.

Une installation et/ou une manipulation incorrecte pourrait annuler la garantie. Une installation et/ou une manipulation incorrecte peut créer des risques électriques non voulus qui pourraient causer de graves blessures, des dommages matériels, ou la mort.



ATTENTION INSTALLATEUR – Ce manuel contient des informations importantes sur l'installation, la manipulation et l'utilisation sécuritaire de ce produit. Ces informations devraient être fournies au propriétaire/manipulateur de cet équipement.

Table des matières

Section 1. Consignes de sécurité importantes	31	Section 4. Opération de contacts secs.....	43
1.1 Consignes de sécurité.....	31	4.1 Réglages de la vitesse du contact sec.....	43
1.2 Directives pour la prévention de l'effet ventouse d'une pompe de piscine	32	4.2 Effectuer un test de pression.....	44
Section 2. Description générale	33	Section 5. Fonctionnement	46
2.1 Introduction.....	33	5.1 Mise en route.....	46
2.2 Dimensions du produit.....	33	Section 6. Service et entretien.....	46
2.3 Spécifications du produit.....	34	6.1 Nettoyer le panier de la pompe.....	46
2.4 Contenu du produit.....	34	6.2 Retrait du couvercle de la pompe.....	47
Section 3. Information sur l'installation ...	36	6.3 Préparation de la pompe pour l'hiver	48
3.1 Moteur TEFC à dégagement nul.....	36	Section 7. Dépannage et réparation.....	48
3.2 Tuyauterie	36	7.1 Entretien par un technicien	50
3.3 Installation électrique.....	39	Section 8. Spécifications du produit et données techniques	50
3.4 Configuration contrôleur de pompe / système d'automatisation.....	41	8.1 Vues éclatées.....	51
3.5 Réglages des commutateurs DIP.....	41	8.2 Courbes de performance.....	52
3.6 Fonctionnement de relais auxiliaire	42		

FICHE DE RENSEIGNEMENTS SUR L'ÉQUIPEMENT

Date de l'installation _____

Information sur l'installateur _____

Lecture initiale du manomètre (avec filtre propre) _____

Modèle de pompe _____ Cheval-vapeur _____

Remarques _____

Section 1. Consignes de sécurité importantes

LIRE ET SUIVRE TOUTES LES DIRECTIVES

1.1 Consignes de sécurité

Tout travail en lien avec l'électricité doit être effectué par un électricien qualifié, et se conformer aux codes locaux, provinciaux et nationaux. Lors de l'installation et de l'utilisation de cet équipement électrique, les consignes de sécurité élémentaires doivent toujours être respectées, notamment les mises en garde suivantes :

⚠ AVERTISSEMENT
<p>RISQUE D'EFFET VENTOUSE QUI, S'IL N'EST PAS ÉVITÉ, PEUT CAUSER DES BLESSURES GRAVES, VOIRE MORTELLES. Ne pas bloquer l'aspiration de la pompe, ce qui pourrait causer des blessures graves, voire mortelles. Ne pas utiliser cette pompe pour les piscinotères, les piscines peu profondes ou les spas déplaçant de l'eau au fond, à moins que la pompe ne soit connectée à au moins deux (2) prises d'aspiration indépendantes, et/ou conformément à la dernière version de ANSI/APHA/ICC -7, la norme pour éviter le piègeage par aspiration dans les piscines, les piscinotères, les spas, les bains à remous et les bassins de drainage. Les ensembles d'aspiration (drains) et leurs couvercles doivent être certifiés conformes à la dernière édition publiée de la norme ANSI/APA/ASME® A112.19.8, ou sa norme ayant droit, ANSI/APSP-16.</p> <p>Pour réduire les risques de blessures, ne pas laisser les enfants utiliser ce produit.</p> <p>Pour réduire les risques de dommages matériels ou de blessures, ne pas tenter de modifier la position de la valve du tamis à contre-courant (port multiple, glissement ou débit plein) lorsque la pompe fonctionne.</p> <p>Les pompes Jandy sont alimentées par un moteur électrique haute tension et doivent être installées par un électricien agréé ou qualifié ou un technicien d'entretien des piscines.</p> <p>En raison du risque potentiel d'incendie, d'électrocution ou de blessures corporelles, les pompes Jandy doivent être installées conformément au National Electrical Code® (NEC®), aux codes électriques et de sécurité locaux, ainsi qu'en vertu de la loi Occupational Safety and Health Act (OSHA). Il est possible de commander des copies du NEC auprès de la National Fire Protection Association, 1 Batterymarch Park, Quincy, MA 02109, États-Unis, ou de votre agence d'inspection du gouvernement.</p>
<p>RISQUE DE DÉCHARGE ÉLECTRIQUE, D'INCENDIE, DE BLESSURES OU DE MORT. (Pour toutes les unités installées en permanence et destinées à être utilisées sur des circuits de dérivation monophasés de 15 ou 20 à, 120 à 240 V.) Raccorder uniquement à un circuit de dérivation qui est protégé par un disjoncteur de fuite à la terre (DDFT) pour le personnel. Contacter un électricien qualifié si il n'est pas possible de vérifier que le circuit est équipé d'un différentiel ou non. Un tel DDFT doit être fourni par l'installateur et faire l'objet d'essais régulièrement. Pour tester le différentiel, appuyer sur le bouton de test. Le différentiel doit couper le DDFT de l'alimentation. Appuyer sur le bouton de remise en route. L'alimentation doit être rétablie. Si le DDFT ne fonctionne pas comme indiqué, c'est qu'il est défectueux. Si le différentiel coupe l'alimentation de la pompe sans que le bouton de test ait été enfoncé, cela indique la présence d'un courant de terre, signalant un risque de décharge électrique. Ne pas utiliser l'appareil. Débrancher l'appareil et faire corriger le problème par un représentant de service qualifié avant toute utilisation.</p> <p>Un équipement mal installé peut faire défaut, causant de graves blessures ou dommages matériels.</p> <ul style="list-style-type: none"> Ne pas raccorder le système à un réseau municipal d'approvisionnement en eau non régulé ni à aucune autre source externe d'eau sous pression produisant des pressions supérieures à 2,41 BAR (35 PSI). La présence d'air coincé dans le système peut faire sauter le couvercle du filtre et entraîner la mort, de graves blessures corporelles ou des dommages matériels. Veiller à ce que tout l'air à quitté le système avant d'utiliser l'équipement. <p>Pour réduire le risque de blessures graves ou de décès, le filtre et/ou la pompe ne doivent pas être soumis à un test de mise sous pression de la tuyauterie.</p> <p>Les codes locaux peuvent exiger l'application d'un test de mise sous pression au réseau de la tuyauterie de la piscine. Généralement, ces réseaux ne sont pas conçus pour être appliqués à l'équipement de piscine, comme les filtres ou les pompes.</p> <p>L'équipement de piscine Zodiac® est soumis à des tests de mise sous pression en usine.</p> <p>Toutefois, si cet AVERTISSEMENT ne peut pas être respecté et que le test de mise sous pression du système de tuyauterie doit inclure le filtre et/ou la pompe, S'ASSURER DE RESPECTER LES CONSIGNES DE SÉCURITÉ SUIVANTES :</p> <ul style="list-style-type: none"> Vérifier les joints, les boulons, les couvercles, les arceaux de blocage et les accessoires du système pour s'assurer qu'ils sont correctement installés et fixés solidement avant d'effectuer un test. LIBÉRER TOUT L'AIR présent dans le système avant le test. La pression de l'eau pendant le test NE DOIT PAS DÉPASSER 2,41 BAR (35 lb-po²). La température de l'eau pendant le test NE DOIT PAS DÉPASSER 38 °C (100 °F). Limiter la durée du test à 34 heures. Après le test, vérifier visuellement le système pour s'assurer qu'il est prêt à fonctionner. <p>AVIS: ces paramètres s'appliquent à l'équipement Zodiac uniquement. Pour les équipements autres que Zodiac, consulter le fabricant de l'équipement.</p>
<p>Les déversements de produits chimiques et les émanations peuvent affaiblir l'équipement de piscine/spa. La corrosion peut provoquer la panne des filtres et d'autres équipements, entraînant ainsi de graves blessures ou des dommages matériels. Ne pas ranger les produits chimiques à proximité de votre équipement.</p>

▲ MISE EN GARDE

Ne pas démarrer la pompe à sec! Le fait de laisser fonctionner la pompe à sec pendant un certain temps provoquera de graves dommages et annulera la garantie.

Cette pompe est conçue pour être utilisée avec des piscines permanentes et peut aussi être utilisée dans les cuves thermales et les spas, si indiqué. Ne pas utiliser avec des piscines pouvant être enterrées. Une piscine permanente est construite dans le sol, sur le sol ou dans un bâtiment, de telle manière qu'elle ne puisse pas être facilement démontée et rangée. Une piscine pouvant être rangée est construite pour qu'elle puisse être démontée facilement aux fins d'entassement, puis remonter à son état initial.

Ne pas installer dans une enclosure extérieure ou sous les bords d'une cuve thermale. Celle-ci nécessite une ventilation adéquate pour maintenir une température ambiante inférieure à la température ambiante maximale indiquée sur la plaque signalétique du moteur.

Afin d'éviter une défaillance prématurée ou des dommages au moteur de la pompe, la protéger de l'exposition directe à l'eau provenant des glisseurs, du ruissellement des toits et du drainage, etc. Le non-respect de cette consigne peut entraîner une défaillance de la pompe et peut annuler la garantie.

1.2 Directives pour la prévention de l'effet ventouse d'une pompe de piscine

▲ AVERTISSEMENT



RISQUE D'ASPIRATION. Peut causer une blessure grave voire la mort. Ne pas utiliser cette pompe pour les patinoires, les piscines peu profondes ou les spas disposant de drains au fond, à moins que la pompe ne soit connectée à au moins deux (2) prises d'aspiration fonctionnelles, et/ou conformément à la dernière version de ANSI/APHTA/ICC -7, la norme pour éviter le piègeage par aspiration dans les piscines, les patinoires, les spas, les bains à remous et les bassins de drainage.

L'aspiration générée par la pompe est dangereuse et peut coincer et noyer ou éventrer les baigneurs. Ne pas utiliser ni faire fonctionner des piscines, spas ou cuves thermales si le caractère de la prise d'aspiration est mouvant, brisé ou désarmé. Les directives suivantes fournissent de l'information sur l'installation de la pompe qui minimise les risques de blessures chez les utilisateurs de piscines, de spas ou de cuves thermales.

Protection contre le piègeage : le système d'aspiration de la pompe doit protéger contre les risques de piègeage par aspiration.

Couvercles de prise d'aspiration : toutes les prises d'aspiration doivent être correctement installées, avec les couvercles vissés en place. Tous les couvercles de prise d'aspiration (étrier) doivent être correctement entretenus. Ils doivent être remplacés s'ils sont fissurés, brisés ou manquants. Les couvercles doivent être certifiés selon la dernière édition publiée de ANSI/APSP/ICC A112.19.8 ou sa norme ayant droit, ANSI/APSP-16. La piscine doit être fermée et les baigneurs ne doivent pas pouvoir entrer dans la piscine jusqu'à ce que toutes les fissures, tous bris ou couvercles de drain manquants soient remplacés.

Nombre de prises d'aspiration par pompe : fournir aux moins deux (2) prises d'aspiration hydrauliquement équilibrées avec les couvercles, comme prises d'aspiration pour chaque conduite d'aspiration de pompe. Les centres des prises d'aspiration sur n'importe quelle conduite d'aspiration doivent être à au moins 90 cm (3 pi) de distance, centre à centre. Se reporter à la Figure 4.

Le système doit être construit pour fournir au moins deux (2) prises d'aspiration (drains) raccordées à la pompe lorsqu'elle fonctionne. Cependant, si deux (2) prises d'aspiration deviennent une seule conduite d'aspiration, celle-ci peut être dotée d'une valve qui arrête les deux prises d'aspiration de la pompe. Le système sera construit de manière à ne pas permettre un emboîtement séparé ou indépendant, ni l'isolation de chaque drain. Se reporter à la Figure 4.

D'autres pompes peuvent être raccordées à une seule conduite d'aspiration tant que les exigences ci-dessus sont respectées.

SOFA non obturable – Si le code local et l'autorité compétente l'acceptent, un seul SOFA non obturable peut être utilisé. Pour qu'un SOFA non obturable soit considéré comme un drain non obturable en vertu de la loi Virginia Graham Baker Act (VGBA), l'ensemble de raccords de sortie d'aspiration (Suction Outlet Fitting Assembly, SOFA) doit être certifié comme non obturable et désigné par le fabricant, comme non obturable, et les instructions du fabricant doivent indiquer le SOFA est autorisé pour une utilisation comme sortie d'aspiration non obturable conformément à la norme ANSI/APSP/ICC-16. Les SOFA certifiés non obturables doivent être installés conformément aux instructions du fabricant, à la dernière édition de ANSI/APHTA/ICC-7 et au code local applicable.

Vitesse de l'eau : la vitesse maximale de l'eau dans l'ensemble de prise d'aspiration et de son couvercle pour n'importe quelle prise d'aspiration ne doit pas dépasser le débit de conception maximal de l'ensemble de la prise d'aspiration et de son couvercle. L'ensemble de la prise d'aspiration (étrier) et son couvercle doivent être conformes à la dernière version de ANSI/APSP/ICC A112.19.8, la norme pour les raccords d'aspiration à utiliser dans les piscines, patinoires, spas, cuves thermales ou son ayant droit, ANSI/APSP-16.

Essais et certification : Les couvercles de prise d'aspiration doivent être testés par un laboratoire d'essais reconnu à l'échelle nationale et se conformer à la dernière édition publiée de ANSI/APSP/ICC A112.19.8 ou sa norme ayant droit, ANSI/APSP-16, la norme pour Raccords d'aspiration à utiliser dans les piscines, patinoires, spas et cuves thermales.

Raccords : Les raccords limitent le débit ; pour une efficacité maximale, utilisez le moins de raccords possible (mais au moins deux (2) sorties d'aspiration ou un SOFA certifié non obturable).

Éviter les raccords qui pourraient piéger de l'air.

Les raccords d'aspiration pour piscine doivent se conformer aux normes de l'International Association of Plumbing and Mechanical Officials (IAPMO).

CONSERVER CES DIRECTIVES

Section 2. Description générale

2.1 Introduction

Les pompes à vitesse variable de la Série® fonctionner de 600 à 3 450 tr/min. Cela vous permet de sélectionner la vitesse la plus appropriée pour votre application. Les pompes mentionnées dans ce manuel sont compatibles avec tous les contrôleurs Jandy et les systèmes d'automatisation Jandy. La pompe est entraînée par un ECM (moteur à commutation électronique) à vitesses variables directement fixé au rotor de la pompe. Le moteur fait tourner le rotor qui force l'eau à circuler à travers la pompe. La vitesse du moteur variant, le débit à travers la pompe est également varié. Le débit ajustable permet l'optimisation du débit de l'eau pendant les exigences

variées du cycle de la pompe. Pour cette raison, l'efficacité énergétique de la pompe est maximisée entraînant des économies pour le propriétaire de la piscine tout en contribuant à la sauvegarde de l'environnement.

Ce manuel contient des informations pour l'installation, la fonctionnement et l'entretien adéquats des pompes énumérées dans ce manuel. Les procédures indiquées dans ce manuel doivent être suivies avec précision. Pour obtenir des copies de ce manuel, visiter www.zodiacpoolsystems.com.

2.2 Dimensions du produit

REMARQUE : Lors de l'installation d'une pompe, laisser au moins 30 cm (2 pi) de dégagement au-dessus de la pompe pour le retrait de la crépine, travailler dans le compartiment ainsi que pour ouvrir un couvercle sur le contrôleur de la pompe.

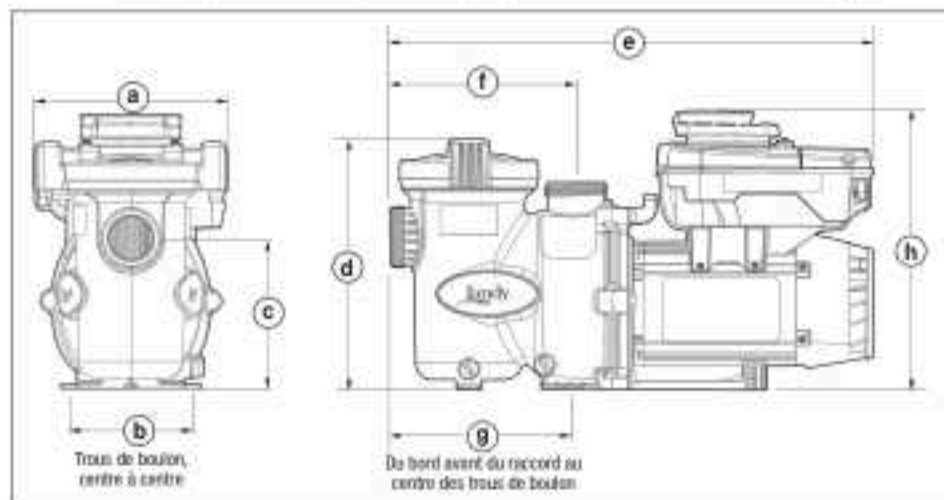


Figure 1. Dimensions de la Pompe à vitesse variable

N° de modèle	Dimensions							
	a	b	c	d	e	f	g	h
V5HP185DV2A(S)	10 po	6 1/2 po	7 3/4 po	12 3/4 po	24 1/2 po	9 1/2 po	9 1/8 po	14 po
V5HP275DV2A(S)	10 po	6 1/2 po	7 3/4 po	12 3/4 po	24 1/2 po	9 1/2 po	9 1/8 po	14 po
V5HP3802A(S)	10 po	6 1/2 po	7 3/4 po	12 3/4 po	24 1/2 po	9 1/2 po	9 1/8 po	14 po
V5HP270DV2A(S)	9 1/8 po	9 po	8 7/8 po	14 1/8 po	27 5/8 po	11 7/8 po	9 3/8 po	15 po
V55HP220DV2A(S)	11 5/8 po	9 po	10 3/8 po	15 1/4 po	30 1/8 po	14 po	11 5/8 po	15 po
V55HP270DV2A(S)	11 5/8 po	9 po	10 3/8 po	15 1/4 po	30 1/8 po	14 po	11 5/8 po	15 po
V55HP3802A(S)	11 5/8 po	9 po	10 3/8 po	15 1/4 po	30 1/8 po	14 po	11 5/8 po	15 po

2.3 Spécifications du produit

N° de modèle	THP	WEF	Tension	Watts max.	Amperes max.	Taille du raccord	Poids
VSPHP1650V2A(S)	1,85	8,5	208-230 V c.a. 115 V c.a.	1 700 W 1 000 W	8,5-8,0 16,0	Raccords 2" et filetages internes 2"	44 lb [20 kg]
VSPHP2700V2A(S)	2,70	7,3 8,7	208-230 V c.a. 115 V c.a.	2 590 W 1 840 W	11,5-10,5 16,0	Raccords 2" et filetages internes 2"	44 lb [20 kg]
VSPHP3800A(S)	3,80	6,0	208-230 V c.a.	3250 W	16,0	Raccords 2" et filetages internes 2"	57 lb [26 kg]
VSPHP2700DV2A(S)	2,70	7,3 8,4	208-230 V c.a. 115 V c.a.	2 250 W 1 840 W	11,5-10,5 16,0	2 po x 2 1/2 po	64 lb [29 kg]
VSSHP2200DV2A(S)	2,20	8,5 8,8	208-230 V c.a. 115 V c.a.	2 190 W 1 660 W	11,5-10,5 16,0	2 po x 2 1/2 po	66 lb [30 kg]
VSSHP2700DV2A(S)	2,70	7,5 9,3	208-230 V c.a. 115 V c.a.	2 370 W 1 675 W	11,5-10,5 16,0	2 po x 2 1/2 po	66 lb [30 kg]
VSSHPP3800A(S)	3,80	6,5	208-230 V c.a.	3120 W	16,0	2,5 po x 3 po	70 lb [32 kg]

2.4 Contenu du produit

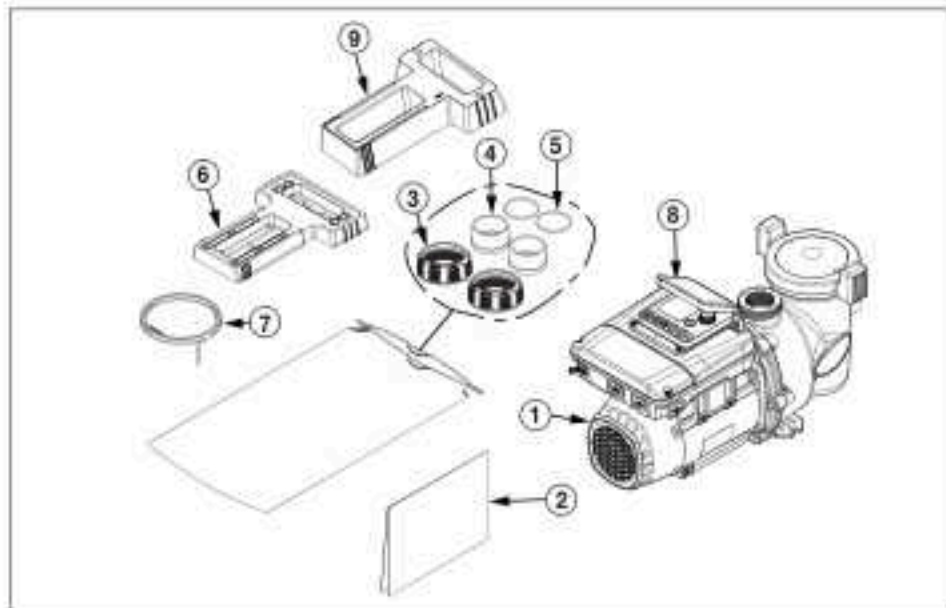


Figure 2. Contenu de la boîte de la pompe à vitesse variable

Article	Description
1	Pompe à vitesse variable
2	Manuel d'installation et de fonctionnement
3	Écran-raccord (2)
4	Écrou (2)
5	Joint torçon (2)
6	Poignées base ajustables avec entretoises, Modèles VSPHP
7	Câble - 6 m (20 pi), cal. 22, 4 conducteurs

Article	Description
8	Contrôleur SpeedSet (Modèles se terminant par S uniquement)
9	Grande base, modèles VSPHP (R05-46-430 en option vendu séparément)

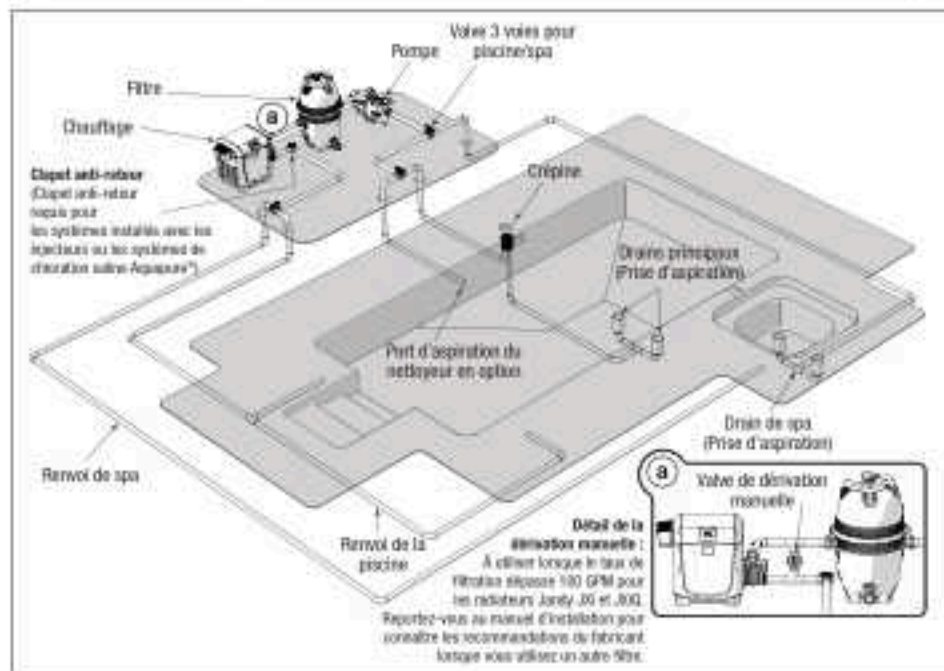


Figure 3. Installation de la tuyauterie typique

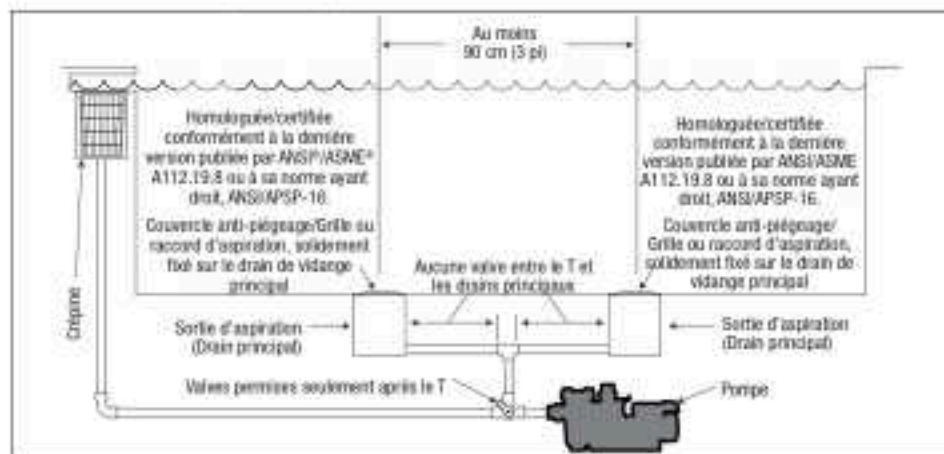


Figure 4. Nombre de prises d'aspiration par pompe

SOFA non obstruable – Si le code local et l'autorité compétente l'acceptent, un seul SOFA non obstruable peut être utilisé. Pour qu'un SOFA non obstruable soit considéré comme un drain non obstruable en vertu de la loi Virginia Graham Baker Act (VGBA), l'ensemble de raccords de sortie d'aspiration (Suction Outlet Fitting Assembly, SOFA) doit être certifié comme non obstruable et désigné par le fabricant comme non obstruable, et les instructions de fabricant doivent indiquer le SOFA est autorisé pour une utilisation comme sortie d'aspiration non obstruable conformément à la norme ANSI/APSP/ICC-16. Les SOFA certifiés non obstruables doivent être installés conformément aux instructions du fabricant, à la dernière édition de ANSI/APSP/ICC-7 et au code local applicable.

Section 3. Information sur l'installation

3.1 Moteur TEFC à dégagement nul

Les pompes Jandy de ce manuel sont équipées d'un moteur TEFC à dégagement nul (refroidissement par ventilateur entièrement fermé). Contrairement à la plupart des moteurs TEFC qui aspirent de l'air frais à l'arrière du capot du ventilateur et qui nécessitent 2 à 3 pouces de dégagement, le moteur TEFC Jandy à dégagement nul aspire de l'air du haut, du bas et des côtés du capot du ventilateur. Le moteur TEFC à dégagement nul permet d'installer la pompe avec un dégagement minimal entre l'arrière du capot du ventilateur et les obstacles éventuels tels qu'une clôture ou une fondation. Un dégagement doit toujours être ménagé sur les côtés du moteur et du capot du ventilateur pour permettre un débit d'air adéquat et l'entretien de la pompe.

3.2 Tuyauterie

3.2.1 Information sur la préparation

- Vérifier que le carton de la pompe n'est pas endommagé. En cas de dommage, prendre contact avec l'expéditeur ou le distributeur ou la pompe a été achetée.
- Inspecter le contenu de la boîte et vérifier que toutes les pièces sont incluses.

3.2.2 Emplacement de la pompe

Zodiac Pool Systems LLC recommande d'installer la pompe à un pied (30 cm) au-dessus du niveau d'eau. La pompe ne doit pas être élevée à plus de 152 cm (5 pi). Si la pompe doit être installée sous le niveau d'eau de la piscine, des vannes d'isolation doivent être installées sur les conduites d'aspiration et de retour afin d'empêcher le reflux de l'eau de la piscine pendant les travaux d'entretien courants.

⚠ AVERTISSEMENT

Un clapet anti-retour peut interférer avec le bon fonctionnement de certains produits du système d'évacuation d'aspiration à vide (SVRS). Pour éviter les risques de piégeage, les blessures graves ou la mort, lire le manuel de fonctionnement ou du propriétaire de votre produit SVRS particulier avant d'installer le clapet anti-retour.

Pour réduire le risque d'incendie, installer l'équipement de la piscine dans une zone où des débris ne risquent pas de s'accumuler sur ou autour de l'équipement. Maintenir la zone libre de débris tels que du papier, des feuilles, des aiguilles de pin et autres matières combustibles.

⚠ MISE EN GARDE

Afin d'éviter une défaillance prématurée ou des dommages au moteur de la pompe, la protéger de l'exposition directe à l'eau provenant des pannes, du ruissellement des toits et du drainage, etc. Le non-respect de cette consigne peut entraîner une défaillance de la pompe et peut annuler la garantie.

REMARQUE : Lorsque l'équipement de la piscine se trouve sous la surface de la piscine, une fuite peut entraîner une grande perte d'eau ou une inondation. Zodiac Pool Systems, LLC ne peut être tenue responsable de ces pertes d'eau ou des inondations causées par celle-ci.

- Installer la pompe de manière à ce que tout moyen de déconnexion et/ou boîtes de jonction pour connexion de l'alimentation se trouvent à portée de vue de la pompe et au moins à 152 cm (5 pi) à l'horizontal du bord de la piscine et/ou spa. Choisir un emplacement qui permettra de réduire au minimum les segments de tuyauterie.

REMARQUE : Au Canada, la distance minimale maintenue du bord de la piscine et/ou du spa, comme indiqué ci-dessus, doit être de 3 mètres (10 pi) tel que requis par le Code canadien de l'électricité (CEC, CSA, C22.1).

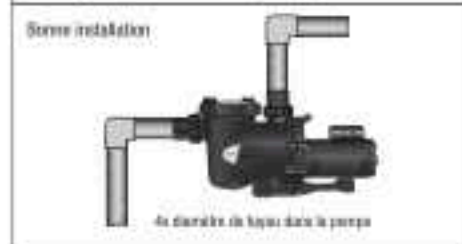
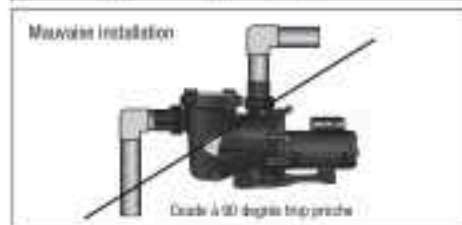
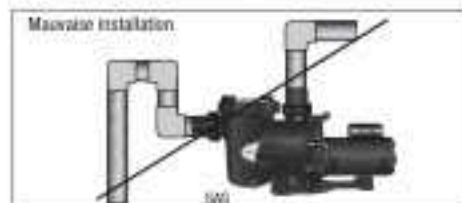
- Placer la pompe sur une base solide qui ne vibre pas. Pour réduire davantage le risque de bruit de vibration, enfoncer la pompe dans la fondation.
- S'assurer que la fondation de la pompe a un drainage suffisant pour éviter que le moteur ne se mouille. La pompe doit être protégée de la pluie et du soleil.
- S'assurer que la pompe est correctement ventilée afin d'éviter toute surchauffe du moteur.
- Laisser suffisamment d'espace pour les entretiens en laissant une zone dégagée autour de la pompe.
- Fournir un éclairage adéquat si l'équipement est dans une zone potentiellement sombre.

Grosueur des tuyaux	Débit d'aspiration maximum (182 cm/s - 6 pi/s)	Débit d'évacuation maximum (244 cm/s - 8 pi/s)
1 1/2 po. (38 mm)	37 gal/min (140 LPM)	50 gal/min (189 LPM)
2 po. (51 mm)	62 gal/min (235 LPM)	85 gal/min (322 LPM)
2 1/2 po. (64 mm)	88 gal/min (333 LPM)	120 gal/min (454 LPM)
3 po. (76 mm)	136 gal/min (515 LPM)	164 gal/min (627 LPM)
4 po. (102 mm)	234 gal/min (886 LPM)	313 gal/min (1185 LPM)

Table 1. Tableau de grosueur de tuyau pour cédula 40 en PVC

3.2.3 Recommandation d'installation

- Pour aider à prévenir les difficultés d'amorçage, installer le tuyau d'aspiration sans points hauts (au-dessus de l'entrée de la pompe; des U inversés, appelés couramment sas dans le domaine de la plomberie) qui pourraient piéger de l'air. Pour des installations d'équipement jusqu'à 30 m (100 pi) de l'eau, vous reporter au Table 1, le tableau des grosueurs de tuyau. Pour des installations d'équipement de plus de 30 m (100 pi) de l'eau, la grosueur de tuyau recommandée doit passer à la grosueur suivante.



- Les raccords sur les orifices d'aspiration et de refoulement simplifient l'installation et l'entretien tout en éliminant les risques de fuites au niveau des adaptateurs filetés.
- La pompe doit être connectée à au moins deux drains principaux équilibrés hydrauliquement pour chaque conduite d'aspiration de la pompe de la piscine. Chaque drain (prise d'aspiration) doit avoir des couvercles et doivent être certifiés selon la dernière édition publiée de ANSI/APSP A112.19.8, ou sa norme ayant droit, ANSI/APSP-16. Les raccords d'aspiration des drains principaux doivent être à au moins 1 m (3 pi) ou à différents plans. Les raccords d'aspiration peuvent être un drain et une crépine, deux drains, deux crépines ou une crépine avec une conduite égalisatrice installée. Vérifier les codes locaux pour une bonne installation.

REMARQUE : Pour éviter qu'il y ait piégeage, le système doit être construit de manière à ne pouvoir fonctionner lorsque la pompe tire de l'eau d'un seul drain principal. Au moins deux drains principaux doivent être connectés à la pompe lorsqu'elle est en fonction. Cependant, si deux drains principaux deviennent une seule conduite d'aspiration, celle-ci peut être dotée d'une valve qui arrête les deux drains principaux de la pompe.

SIFA non obstruible – Si le code local et l'autorité compétente l'acceptent, un aéra SIFA non obstruible peut être utilisé. Pour qu'un SIFA non obstruible soit considéré comme un drain non obstruible en vertu de la loi Virginia Graham Baker Act (VGBA), l'ensemble de raccords de sortie d'aspiration (Suction Outlet Fitting Assembly, SOFA) doit être certifié comme non obstruible et désigné par le fabricant comme non obstruible, et les instructions du fabricant doivent indiquer le SIFA est autorisé pour une utilisation comme sortie d'aspiration non obstruible conformément à la norme ANSI/APSP/ICC-16. Les SOFA certifiées non obstruibles doivent être installées conformément aux instructions du fabricant, à la dernière édition de ANSI/APSP/ICC-7 et au code local applicable.

- La tuyauterie doit être bien soutenue et non forcée ensemble où elle subira un stress constant.
- Toujours utiliser des valves de la bonne grosseur.
- Utiliser le moins de raccords possible et limiter l'utilisation de coudes à 90 degrés. Chaque raccord ou longueur supplémentaire augmente la résistance au débit, ce qui fait davantage travailler la pompe.

REMARQUE : Si plus de dix raccords d'aspiration sont nécessaires, la grosseur du tuyau doit être augmentée.

- Chaque nouvelle installation doit être testée sous pression conformément aux codes locaux.

3.2.4 Modèles VSFHP à bases ajustables

Pour remplacer une pompe existante de différentes dimensions, utiliser les bases ajustables pour aligner correctement les orifices d'aspiration et de refoulement sur la plomberie existante. La base VS FloPro et les entretoises augmente la hauteur totale de la pompe et la hauteur du côté de l'orifice d'aspiration de la pompe. Se reporter à la Figure 5 et au Table 2.

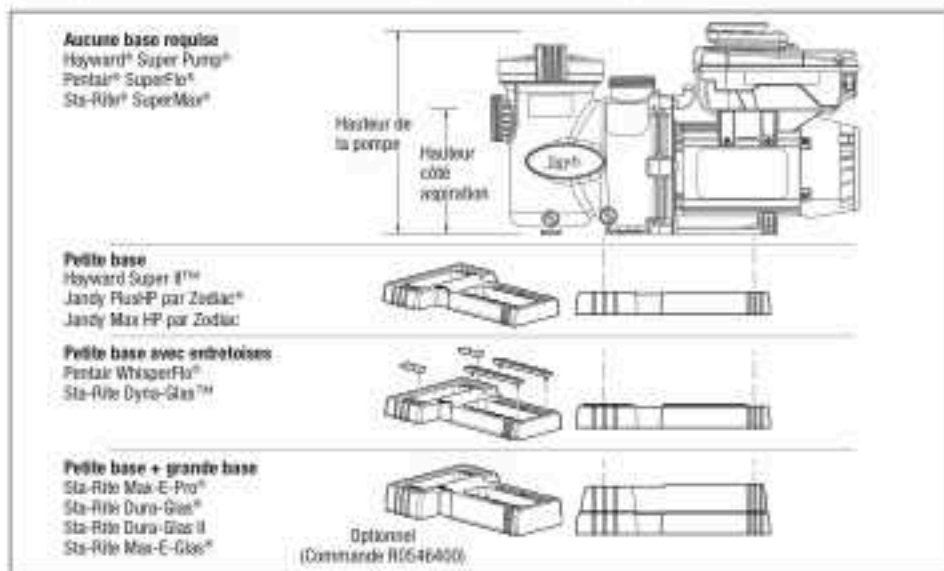


Figure 5. Configurations de base (modèle VS FloPro uniquement)

TAILLE MINIMALE DES FILS ET PROTECTION MINIMUM DE SURINTENSITÉ*								
Distance depuis les sous-panneaux		0 à 50 pieds (15 mètres)		50 à 100 pieds (15 à 30 mètres)		100 à 200 pieds (30 à 60 mètres)		
Modèle de pompe	Inverse : Temps du disjoncteur ou ampères de fusible de branchement Classe : CC, G, H, J, K, RK ou T		Tension		Tension		Tension	
	208-230 V. c.a.	115 V. c.a.	208-230 V. c.a.	115 V. c.a.	208-230 V. c.a.	115 V. c.a.	208-230 V. c.a.	115 V. c.a.
VSPHP3802A(S) VSSH3802A(S)	20 A	5.0.	12 AWG	5.0.	10 AWG	5.0.	10 AWG	5.0.
VSPHP1850V2A(S) VSPHP2700V2A(S) VSPHP2700V2A(S) VSSH2200V2A(S) VSSH2700V2A(S)	15 A	20 A	14 AWG (2,1 mm²)	12 AWG (3,3 mm²)	12 AWG (3,3 mm²)	10 AWG (5,3 mm²)	10 AWG (5,3 mm²)	10 AWG (5,3 mm²)

* Toujours lire les conducteurs en cuivre dans une colonne adjacente et une partie de la tension maximale de 3 % dans ce circuit de branchement. Tous les codes du National Electrical Code® (NEC®) et les codes locaux doivent être respectés. Le tableau montre la grosseur du fil minimale et les recommandations pour le fusible de branchement dans une installation standard par NEC.

Configuration de base	Hauteur côté aspiration	Rayon ou cercle de panier	Hauteur contrôleur SpeedSet
1. Pompe sans base	7 3/4 po.	12 5/8 po.	14 1/8 po.
2. Pompe avec base	8 7/8 po.	13 7/8 po.	15 1/4 po.
3. Pompe avec base et entretoises	9 1/8 po.	14 1/8 po.	15 1/2 po.
4. Pompe avec petite + grande base	10 3/4 po.	15 3/4 po.	17 1/8 po.

Table 2. Dimensions de Base ajustable

(Modèles c. FloPro™ uniquement)

- À l'aide d'une fraise, couper les barres en plastique reliant les jeux d'entretoises du haut et du bas comme illustré sur la Figure 6.
- Pousser les deux entretoises du haut et les deux du bas hors de la base.
- Aligner les broches des quatre entretoises avec les trous de la base. Enclencher les entretoises au placé (Figure 7).

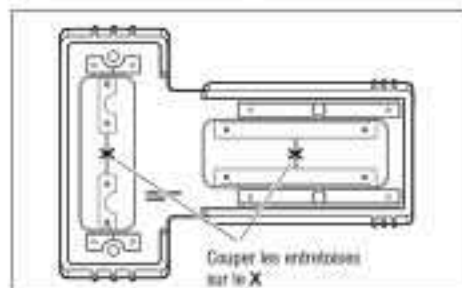


Figure 6. Découper les jeux d'entree de la base

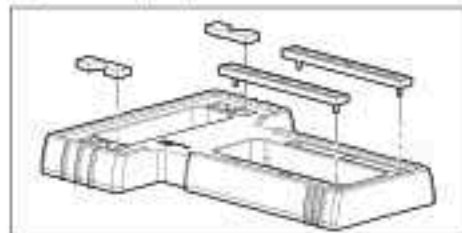


Figure 7. Encastrement des entretoises en place

3.3 Installation électrique

3.3.1 Vérifications de la tension

La bonne tension, comme indiqué sur la plaque signalétique de la pompe, est nécessaire pour une bonne performance et une longue durée de vie du moteur. Une mauvaise tension diminuera la capacité de performance de la pompe et pourrait causer une surchauffe, réduire la durée du moteur et entraîner des coûts électriques plus élevés.

L'installateur électrique est responsable de fournir à la pompe la tension de fonctionnement indiquée sur la plaque signalétique en s'assurant de la taille du circuit et du câblage pour cette application précise.

Le National Electrical Code® (NEC®, NFPA-70®) exige que tous les circuits de pompes pour piscine soient pourvus d'un disjoncteur de fuite à la terre (DOFT). Par conséquent, l'installateur électrique est également responsable de s'assurer que le circuit de la pompe devra s'y conformer, ainsi qu'à toutes les autres exigences du National Electrical Code (NEC) et autres codes d'installation en vigueur.

Toutes les pompes à vitesse variable, peu importe la marque ou le modèle, peuvent créer des déclenchements de disjoncteur DOFT. Les disjoncteurs DDFT Siemens® série QFF ou QF sont fortement recommandés afin de minimiser ou d'éliminer ces cas et offrir une protection personnelle de 5 milliampères tout en respectant les normes NEC 2008 actuelles pour les pompes de piscine.

⚠ MISE EN GARDE

Tout défaut de fournir une tension selon la plaque signalétique (+/- 10 %) pendant l'opération entraînera la surchauffe du moteur et annulera la garantie.

3.3.2 Liaison et mise à la terre

En plus d'être correctement mis à la terre tel que décrit dans la Section 3.3.3, Câblage électrique, et conformément aux exigences du National Electrical Code (NEC), ou au Canada le Code Canadien de l'électricité (CCE), le moteur de la pompe doit être relié aux pièces métalliques de la piscine, du spa ou de la cuve thermique et à tous les composants et équipement électrique avec le système de circulation d'eau de la piscine ou du spa. Cette liaison doit être réalisée en utilisant un conducteur en cuivre plein, AWG n° 8 ou plus gros. Au Canada, il faut utiliser du AWG n° 6 ou plus gros. Relier le moteur en utilisant la languette de liaison externe fournie sur le cadre du moteur. Se reporter à la Figure 9.

Le National Electrical Code® (NEC®) requiert la mise à la terre de la piscine. Lorsqu'aucun(e) équipement, structure ou pièce de la piscine mis(e) à la terre n'est en connexion directe avec l'eau de la piscine, l'eau de la piscine devra être en contact direct avec une surface conductrice approuvée résistante à la corrosion qui n'expose pas moins de 5800 mm² (9 po²) de la surface de l'eau de la piscine en tout temps. La surface conductrice devra être située à un endroit où celle-ci n'est pas exposée à des dommages physiques ou à des délogements au cours des activités courantes en piscine, et devra être mise à la terre conformément aux exigences en matière de mise à la terre du NEC Article 680. Se reporter aux codes appliqués localement pour toute exigence supplémentaire en matière de mise à la terre.

⚠ AVERTISSEMENT

Il faut toujours déconnecter la source d'alimentation électrique avant de travailler sur un moteur ou sa charge connectée.

S'assurer que le commutateur de contrôle, l'horloge ou le système de contrôle est installé à un endroit accessible afin qu'en cas de défaillance de l'équipement ou d'un raccord de plomberie desserré, l'équipement peut être désactivé. Cet endroit ne doit pas être dans la même zone que la pompe de la piscine, le filtre et autres équipements.

⚠ MISE EN GARDE

La pompe doit être connectée de manière permanente à un circuit électrique dédié. Aucun autre équipement, éclairage, appareil ou prise de courant ne peut être connecté au circuit de pompe.

3.3.3 Câblage électrique

Les modèles de pompes Jandy abordés dans ce manuel d'installation et de fonctionnement fournissent des compartiments séparés pour le câblage haute et basse tension.

Le compartiment basse tension comporte

2 ouvertures :

- Port de connexion rapide RS-485 (se reporter à la Figure 8)

REMARQUE : Si le port de connexion rapide RS-485 est libre, appliquez un serre-câble étanche aux liquides de 3/8" afin de fournir une décharge de traction et

de former une barrière étanche. Utilisez le numéro de référence Jandy 1-877-R0501100 ou un moyen alternatif équivalent.

- 3/8 po de port de conduit (filé)

Le compartiment haute tension comporte 3 ouvertures de port de conduit (voir Figure 9).

- 1/2 po (filé)
- 1/2 po (sans fil)
- 3/4 po (sans fil)

Des raccords de conduit (non inclus) sont requis. Le conduit doit être étanche aux liquides après l'installation.

1. Mettez la pompe à la terre à l'aide de la vis de terre verte fournie sur le bornier haute tension. Ne PAS mettre à la terre ni connecter en série le fil de terre à la vis de terre verte secondaire ou connecter en série le châssis du compartiment de câblage (voir les figures 8 et 12). Ne mettez pas non plus à la terre une conduite d'alimentation en gaz.

2. La grosseur du fil doit être adéquate pour minimiser la chute de tension pendant le démarrage et le fonctionnement de la pompe.
3. Soigneusement isoler toutes les connexions pour prévenir les mises à la terre ou les courts-circuits. Les arêtes vives sur les bornes nécessitent une protection supplémentaire. Pour la sécurité et pour empêcher l'entrée de contaminants, réinstaller tous les couvercles de boîtes de conduit et de bornes. Ne pas forcer les connexions dans la boîte de conduit.

REMARQUE : L'alimentation électrique seule ne suffit pas pour faire fonctionner la pompe. Elle nécessite une commande numérique qui lui est envoyée par un contrôleur de vitesse variable (SpeedSet, JEP-R ou iGUMP01), un système d'automatisation ou l'utilisation des contacts secs (se reporter aux Figure 8 et Figure 9 pour les illustrations de schéma RS485 d'un contrôleur local ou d'un système d'automatisation. Se reporter à la Figure 12 et Figure 13 pour les illustrations de câblage à contacts secs.

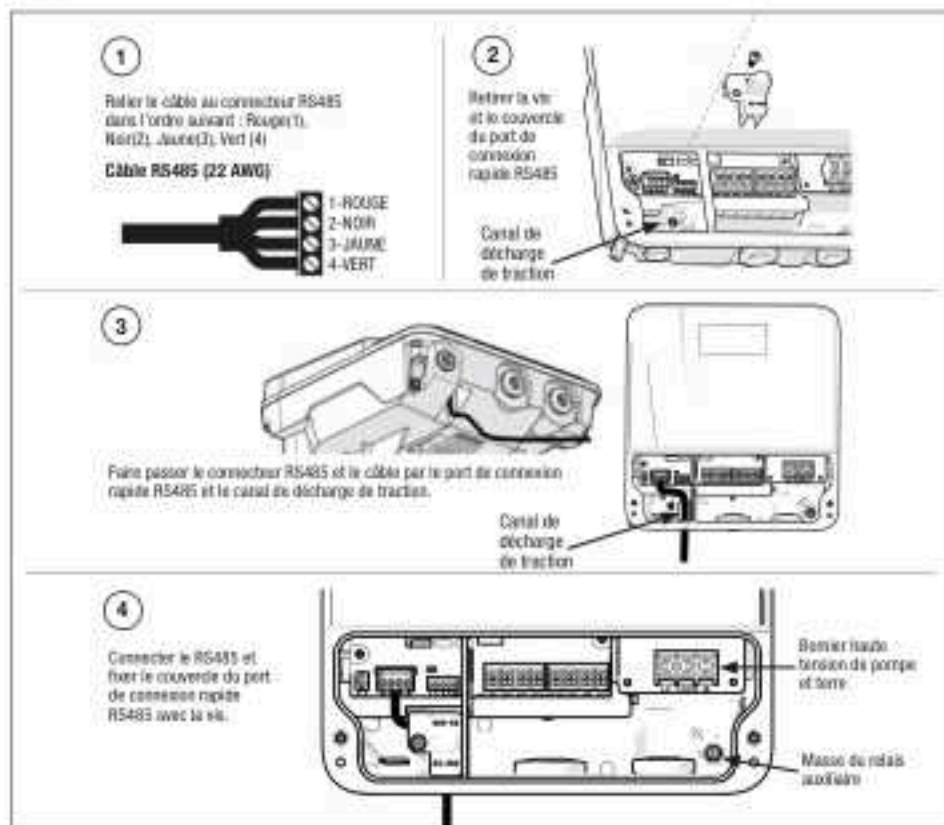


Figure 8. Port de connexion rapide RS-485 avec câblage

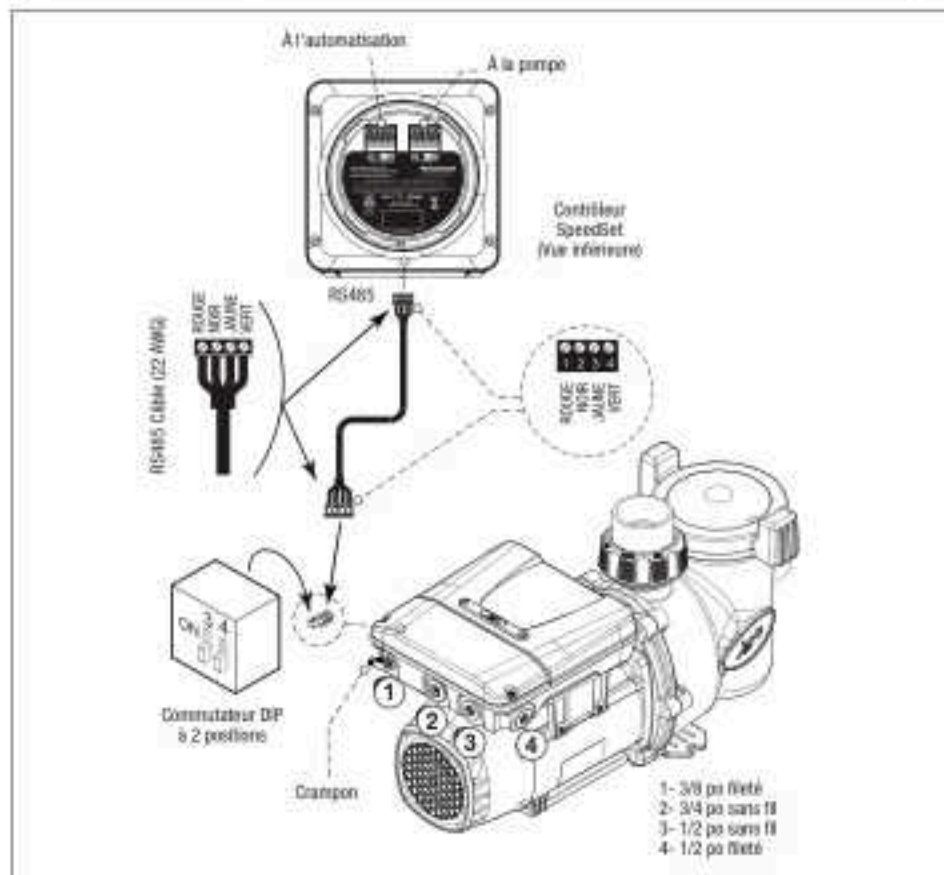


Figure 9. Câblage vers un contrôleur

3.4 Configuration contrôleur de pompe / système d'automatisation

Les pompes mentionnées dans ce manuel sont compatibles avec tous les contrôleurs Jandy et les systèmes d'automatisation suivants :

- Contrôleur SpeedSet (local)
- iCPUMP01 (local)
- JEP-R (local)
- Tous les systèmes d'automatisation Jandy

Chaque moteur est équipé d'un circuit de détection d'alimentation qui détermine automatiquement si 10 V de puissance devraient alimenter le câblage RS485 afin d'alimenter l'interface du contrôleur local ou pour supprimer l'alimentation électrique de 10 V lorsque connecté à un système d'automatisation Jandy lors de la première mise en marche du moteur.

Ce circuit de détection d'alimentation automatique élimine le besoin des commutateurs DIP 1 et 2 actuellement sur les autres pompes Jandy.

3.5 Réglages des commutateurs DIP

3.5.1 Réglages des commutateurs DIP avec contrôleur local

Se reporter au tableau suivant pour connaître les réglages des commutateurs DIP 3 et 4 lorsque la pompe est connectée à un contrôleur local.

Contrôleur	Commutateur 3	Commutateur 4
JEP-R	Désactivé(s)	Désactivé(s)
iCPUMP01	Désactivé(s)	Désactivé(s)
SpeedSet	Les réglages des commutateurs DIP 3 et 4 sont importants seulement lorsque connectés au système d'automatisation Jandy en utilisant la connexion d'intercommunication de câblage d'automatisation SpeedSet au bas du contrôleur. Le cas échéant, se reporter aux sections suivantes.	

Tableau 3. Réglages du commutateur DIP local du contrôleur

3.5.2 Réglages du commutateur DIP avec automatisation

Les règles de réglages du commutateur DIP 3 et 4 ne sont pas communs à tous les systèmes d'automatisation Jandy. Faire référence aux sections suivantes pour comprendre les réglages requis.

Pour les utilisateurs du système d'automatisation Jandy AquaLink® RS, les modifications de mise à jour semestrielle 2022 modifient la méthode selon lesquelles les pompes de ce manuel interagissent avec les systèmes Jandy AquaLink RS. Se reporter au manuel RS pour de plus amples informations.

3.5.3 Progiciel AquaLink RS rév. V avant 2022 et plus ancien

Les systèmes AquaLink RS utilisant le progiciel Rev V et plus ancien, fabriqué avant le milieu de 2022 est compatible avec jusqu'à 4 pompes à vitesse variable. Une adresse de 1 à 4 est assignée à chaque pompe par commutateurs DIP 3 et 4 sur la pompe. Utiliser le tableau ci-dessous pour les paramètres d'assignation d'adresse de pompe.

Ces paramètres sont utilisés lorsque connecté à la connexion RS485 sur la pompe ou lorsque connecté à la pompe en utilisant une connexion d'intercommunication de câblage d'automatisation au bas du contrôleur.

Adresse	Commutateur 3	Commutateur 4
Pompe 1	Désactivé(e)	Désactivé(e)
Pompe 2	Activé(e)	Désactivé(e)
Pompe 3	Désactivé(e)	Activé(e)
Pompe 4	Activé(e)	Activé(e)

Table 4. Réglages du commutateur DIP local du contrôleur

3.5.4 Progiciel AquaLink RS Rév W 2022 et plus récent

Les systèmes AquaLink RS utilisant la Rév W et plus récente, fabriqués après la mi-2022, sont compatibles avec jusqu'à 16 pompes à vitesse variable qui utilisent une ADRESSE DE SÉRIE préalablement assignée. Commutateurs DIP 3 et 4 non utilisés. Une ADRESSE DE SÉRIE est assignée à toutes les pompes dans ce manuel depuis l'usine. L'étiquette de l'ADRESSE DE SÉRIE se trouve sur le moteur de la pompe à l'endroit indiqué ci-dessous.

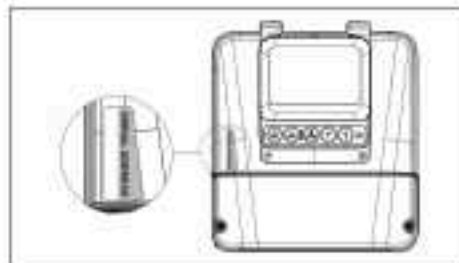


Figure 16. Emplacement de l'étiquette d'adresse de série

Lors de la configuration des pompes en utilisant cette méthode, l'adresse de pompe de chaque pompe apparaîtra d'abord dans la section adresse de pompe

non assignée de l'appli AquaLink ou un autre dispositif de configuration d'automatisation. Utiliser l'application ou un autre dispositif pour terminer la configuration de la pompe.

3.5.5 AquaLink TCX

L'AquaLink TCX est compatible avec une seule pompe à vitesse variable. Les commutateurs DIP 3 et 4 doivent toujours être réglés à la position OFF lorsque la pompe est connectée au système d'automatisation TCX. Ce qui s'avère aussi lorsque connecté à un système TCX utilisant le câblage d'intercommunication d'automatisation sur un contrôleur SpeedSet Jandy.

3.5.6 Tous les autres systèmes d'automatisation Jandy

Tous les autres systèmes d'automatisation Jandy acceptent jusqu'à 4 pompes à vitesse variable utilisant les commutateurs DIP 3 et 4 de la même manière qu'indiquée à la Section 3.5.3, Progiciel AquaLink RS rév. V avant 2022 et plus ancien.

3.6 Fonctionnement de relais auxiliaire

Les modèles de pompe dans ce manuel sont équipés d'un bornier qui procure à l'utilisateur un accès à deux relais auxiliaires intégrés. Les relais, normalement ouverts sont activés dans certaines conditions d'utilisation et sont destinés à être utilisés pour contrôler les dispositifs externes qui nécessitent un système de débit d'eau pour bien fonctionner, comme des pompes de lavage, des chlorateurs à eau salée, et autre.

Se reporter à les Figures 8, 12 et 13 pour des détails sur le logement et l'emplacement des illustrations de relais auxiliaires et de câblage.

Exigences pour la connexion de charge auxiliaire

AVERTISSEMENT

RISQUE DE CHOC ÉLECTRIQUE

En raison du risque potentiel d'incendie, d'électrocution ou de blessures corporelles, les pompes Jandy et toutes charges auxiliaires doivent être installées conformément au National Electrical Code® (NEC®), aux codes électriques et de sécurité locaux, ainsi que selon la loi Occupational Safety and Health Act (OSHA). Il est possible de commander des copies du NEC auprès de la National Fire Protection Association, 1 Batterymarch Park, Quincy, MA 02169 ou de votre agence d'inspection du gouvernement.

Au Canada, les pompes Jandy doivent être installées conformément au Code canadien de l'électricité (CCE).

- Les contacts de relais de charge auxiliaire ont une puissance de 230 W/115 V, 11A RMS. S'assurer que les exigences pour l'équipement à connecter à la charge auxiliaire ne dépassent pas cette valeur nominale.

3.6.1 Fonctionnement de relais auxiliaire

L'activation du contact du relais auxiliaire dépend de la vitesse. Le relais auxiliaire 1 a une vitesse d'activation de 1 725 tr/min et le relais auxiliaire 2 a une vitesse d'activation de 2 250 tr/min.

Le contrôleur SpeedSet Jandy procure la capacité de reprogrammer les vitesses d'ouverture et de fermeture du relais auxiliaire aux fins de personnalisation. Les réglages de vitesses d'ouverture et de fermeture qui sont modifiés en utilisant cette fonction sont permanents même si le contrôleur SpeedSet est déconnecté.

Se reporter à la section « Paramètres » dans le manuel du contrôleur E/S SpeedSet Jandy pour de plus amples informations.

3.6.2 Fermeture du contact

Depuis un état arrêté, il y a un délai de trois minutes avant que le contact du relais auxiliaire soit fermé lorsque la vitesse du moteur atteint et maintient la vitesse d'activation.

Une fois que les critères de temps d'exécution ont été atteints, en passant d'un régime inférieur à la vitesse d'activation à un régime supérieur à la vitesse d'activation, un délai de 5 secondes s'écoule avant la fermeture du contact du Relais auxiliaire.

3.6.3 Ouverture du contact

Lorsque l'on passe d'un régime supérieur à la vitesse d'activation à un régime inférieur à la vitesse d'activation, l'ouverture du relais est toujours immédiate.

Section 4. Opération de contacts secs

Les relais externes ou les commutateurs peuvent être utilisés avec des contacts secs si un contrôleur Jandy n'est pas connecté à la conduite RS-485. En créant un circuit acheminé entre le contact sec, le commutateur/ relais externe et le commun sur le contact sec, lorsque le circuit est fermé, la pompe s'activera, s'amorçant à 2 750 tr/min pendant 3 minutes, et atteindra indéfiniment la vitesse déterminée du contact sec jusqu'à ce que le circuit soit ouvert par un relais externe.

Si aucune entrée n'est connectée au commun, le nombre de tours par minute est zéro. Lorsqu'un contrôleur Jandy est connecté via RS-485, toutes les commandes de contact sec seront ignorées. Se reporter aux Figure 12 et Figure 13 pour le câblage du contact sec. Se reporter au Table 5 pour les paramètres de la vitesse du contact sec.

4.1 Réglages de la vitesse du contact sec

Les paramètres de la vitesse du contact sec ont été ajustés avec les numéros de série de moteur commençant par la lettre B.

1. Se reporter à l'étiquette de valeur nominale du moteur pour connaître le numéro de série du moteur (Figure 11).
2. Se reporter au Table 5 pour déterminer les vitesses du contact sec pour le moteur.

Les vitesses du contact sec sont calculées selon les numéros de série du moteur		
Contact sec	N° de série commençant avec « A »	N° de série commençant avec « B » pour plus récent
1	3 000 tr/min	3 450 tr/min
2	1 400 tr/min	1 575 tr/min
3	2 200 tr/min	2 630 tr/min
4	1 725 tr/min	1 700 tr/min

Table 5. Réglages de la vitesse du contact sec



Figure 11. Étiquette de valeur nominale du moteur

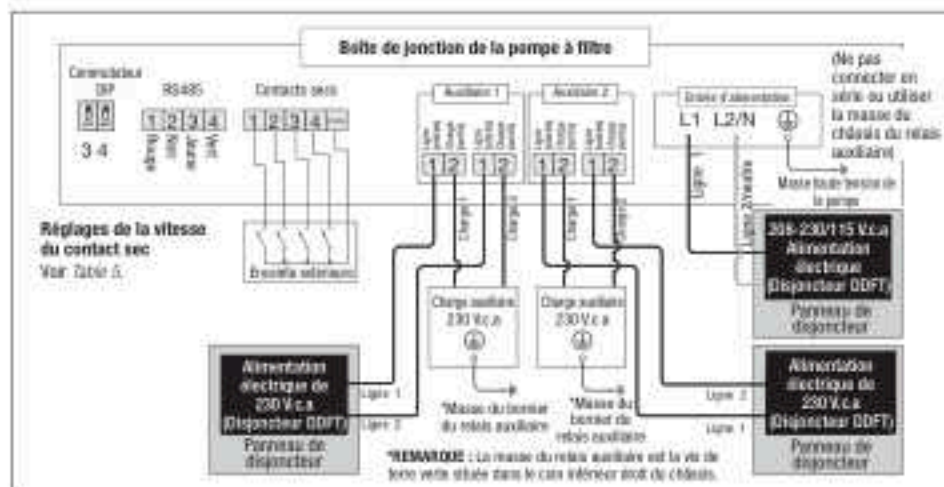


Figure 12. Schéma de câblage du relais auxiliaire de 206-230 V

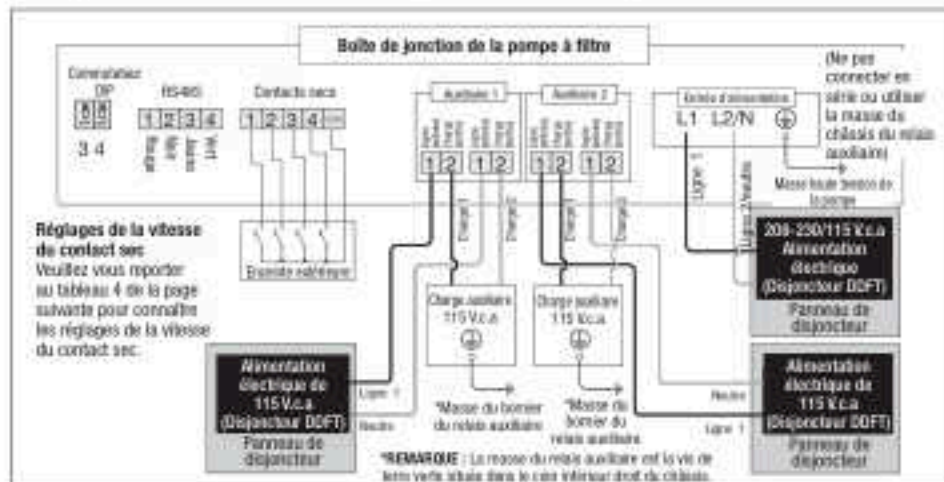


Figure 13. Schéma de câblage du relais auxiliaire de 115 V*

* ⚠ AVERTISSEMENT

RISQUE DE CHOC ÉLECTRIQUE

En raison du risque potentiel d'incendie, d'électrocution ou de blessures corporelles, les pompes Jandy® et toutes charges auxiliaires doivent être installées conformément au National Electrical Code® (NEC®), aux codes électriques et de sécurité locaux, ainsi que selon la loi Occupational Safety and Health Act (OSHA). Il est possible de commander des copies du NEC auprès de la National Fire Protection Association, 1 Batterymarch Park, Quincy, MA 02169 ou de votre agence d'inspection du gouvernement.

Au Canada, les pompes Jandy doivent être installées conformément au Code canadien de l'électricité (CCE).

* Les contacts de relais de charge auxiliaire ont une puissance de 230 V/115 V, 11A RMS. S'assurer que les exigences pour l'équipement à connecter à la charge auxiliaire **ne dépassent pas cette valeur nominale**.

** L'alimentation électrique 115 V. c.a. pour l'alimentation principale de la pompe est uniquement compatible avec les modèles DV2A.

4.2 Effectuer un test de pression

IMPORTANT

Tous les modèles VSSHP sont équipés d'un joint torique jetable supplémentaire pour les essais de pression. Il s'agit du joint torique bleu utilisé pour le test de pression (voir les Figure 14 et Figure 15). Si le couvercle de la pompe a été ouvert avant de procéder au test de pression, le joint torique bleu pourrait être éjecté. Si le joint torique bleu est éjecté, celui-ci devra être réinstallé sur le couvercle avant de procéder au test de pression (voir Section 4.2.1, Remplacer le joint torique bleu avant de tester la pression, le cas échéant).

⚠ AVERTISSEMENT

Lors du test sous pression d'un système avec eau, l'air est souvent emprisonné dans le système pendant le processus de remplissage. Cet air se comprime lorsque le système est sous pression. Si le système fait défaut, cet air emprisonné peut projeter des débris avec une grande vitesse et blesser. Il faut prendre toutes les mesures possibles pour éliminer l'air emprisonné, y compris l'ouverture de la vanne sur le filtre et le desserrage du panier de la pompe pendant le remplissage de la pompe.

La présence d'air coincé dans le système peut faire sauter le couvercle du filtre et entraîner la mort, de graves blessures ou des dommages matériels. Veiller à ce que tout l'air soit adéquatement purgé du système avant d'utiliser l'équipement. **NE PAS UTILISER D'AIR COMPRIMÉ POUR FAIRE UN TEST DE PRESSION NI VÉRIFIER LA PRÉSENCE DE FUITES.**

RISQUE DE CHOC ÉLECTRIQUE

Ne pas effectuer de test de pression au-delà de 2.41 BAR (35 PSI). Le test de pression doit être exécuté par un spécialiste en équipements de piscine. L'équipement de circulation qui n'est pas correctement testé risque de faire défaut, pouvant entraîner de graves blessures ou des dommages matériels.

Lors d'un test de pression du système avec de l'eau, il est très important de s'assurer que le couvercle du panier de pompe est bien fixé.

1. Avant de pressuriser le système, s'assurer que les indicateurs « verrouillé » de l'anneau de blocage s'alignent avec le côté de l'orifice d'aspiration et de pression sur la pompe.
2. Remplir le système d'eau pour éliminer l'air piégé.

3. Mettre le système sous pression avec de l'eau à pas plus de 2,41 BAR (35 PSI).
4. Fermer la valve pour piéger l'eau dans le système.
5. Vérifier si le système présente des fuites ou une baisse de pression.
6. S'il y a des fuites ou au couvercle, répéter la procédure. Pour obtenir le soutien technique Zodiac, composer le 1.800.822.7933.

⚠ MISE EN GARDE

Ne pas ouvrir le couvercle de la pompe avant de tester la pression, car le joint torique test de pression bleu pourrait être éjecté. Si cela se produit, il faut le placer sur le couvercle arrière.

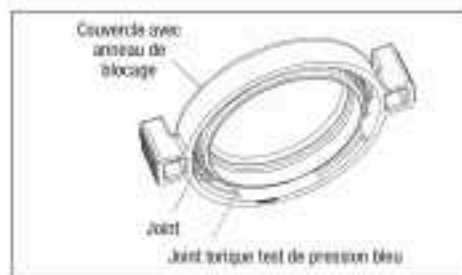


Figure 14. Joint torique test de pression bleu

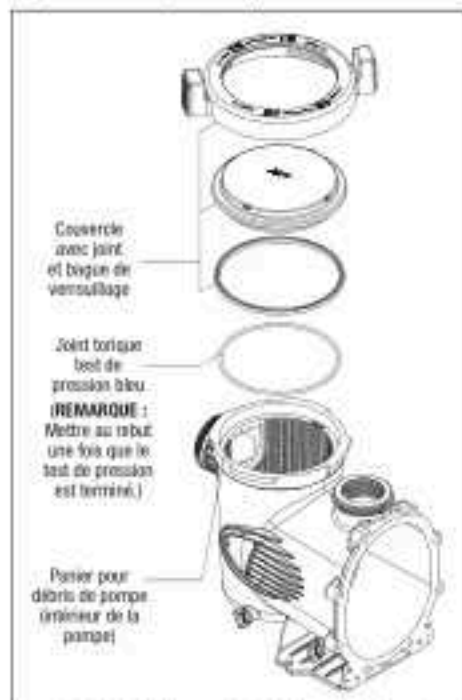


Figure 15. Vue éclatée avec le joint torique test de pression bleu (modèles de pompe VSSHP uniquement)

4.2.1 Remplacer le joint torique bleu avant de tester la pression, le cas échéant

1. S'assurer que la pompe est éteinte.
2. S'assurer que le commutateur au coupe-circuit qui alimente le moteur de la pompe est hors tension.

⚠ AVERTISSEMENT

RISQUE DE CHOC ÉLECTRIQUE

En raison du risque potentiel d'incendie, d'électrocution ou de blessures corporelles, les pompes Jandy® doivent être installées conformément au National Electrical Code® (NEC®), aux codes électriques et de sécurité locaux, ainsi que selon la loi Occupational Safety and Health Act (OSHA). Il est possible de commander des copies du NEC auprès de la National Fire Protection Association, 1 Batterymarch Park, Quincy, MA 02169, États-Unis, ou de votre agence d'inspection du gouvernement.

Au Canada, les pompes Jandy doivent être installées conformément au Code canadien de l'électricité (CCE).

RISQUE DE CHOC ÉLECTRIQUE

Éteindre la pompe et le disjoncteur principal du circuit électrique de la pompe avant de lancer la procédure. Le défaut de se conformer peut entraîner un risque d'électrocution entraînant de grave blessure corporelle ou la mort.

3. S'assurer que toutes les valves d'isolation nécessaires sont fermées pour empêcher l'eau de la piscine d'atteindre la pompe.
4. En suivant les indications de la bague de verrouillage, tourner la bague dans le sens inverse des aiguilles d'une montre pour retirer le couvercle.
5. Retirer délicatement l'anneau de blocage.



Figure 16. Installation du joint torique test de pression bleu

4.2.2 Remplacer le joint torique bleu

1. Tourner le couvercle à l'envers avec l'anneau de blocage.
2. Placer le joint torique bleu sur la marche située à 1/4 po de la partie inférieure du couvercle. Se reporter à la Figure 16.
3. S'assurer que le joint torique est correctement enclenché.

4. Installer le couvercle sur le corps de la pompe.
5. En suivant les indications de la bague de verrouillage, tourner le couvercle dans le sens des aiguilles d'une montre jusqu'à ce que les flèches PORT soient alignées avec les orifices d'entrée et de sortie de la pompe. **Ne pas serrer au-delà de ce point.**

Section 5. Fonctionnement

5.1 Mise en route

▲ MISE EN GARDE

Né jamais utiliser la pompe sans eau. Faire fonctionner la pompe « à sec » pendant un certain temps peut causer de graves dommages à la pompe et au moteur, et pourrait annuler la garantie.

Lors d'une installation de piscine neuve, veiller à ce que toute la tuyauterie soit libre de débris de construction et qu'elle ait été adéquatement testée sous pression. La bonne installation du filtre doit être vérifiée ainsi que la fixation des connexions et des colliers conformément aux recommandations du fabricant.

▲ AVERTISSEMENT

Pour éviter tout risque de dommages matériels ou de blessures corporelles, voire la mort, vérifier que l'alimentation est coupée avant de commencer ces étapes.

5.1.1 Pompe sous le niveau de l'eau

1. S'assurer que le couvercle de la pompe est bien sécurisé en vérifiant les indicateurs « Verrouillé » sont alignés avec les orifices de la pompe. Serrer à la main seulement, ne pas utiliser d'outils. Veiller à ce que les valves soient ouvertes et que les raccords de la pompe soient serrés.
2. Ouvrir toutes les vannes d'isolement qui pourraient être en place entre la pompe et le ou les principaux drains et la ou les crépines de la piscine.
3. Ouvrir la soupape de décharge d'air qui se trouve sur le filtre. Cela permettra à l'air de s'échapper du système et de remplir la pompe d'eau avec de l'eau pour l'amorçage.
4. Rétablir l'alimentation vers la pompe et démarrer la pompe.
5. Lorsque l'eau commence à sortir de la soupape de décharge d'air sur le filtre, fermer la soupape de décharge d'air.
6. Inspecter le système et afin de savoir si une fuite est présente.

5.1.2 Pompe au-dessus du niveau de l'eau

1. Ouvrir la soupape de décharge d'air qui se trouve sur le filtre.
2. Retirer le couvercle de la pompe et remplir le panier avec de l'eau.

3. Avant de remettre en place le couvercle, vérifier qu'il n'y a pas de débris autour du joint torique dans le couvercle. Des débris autour du joint torique dans le couvercle pourraient provoquer une fuite d'air et rendre difficile l'amorçage de la pompe.
4. Serrer le couvercle de la pompe en vérifiant les indicateurs « Verrouillé » sont alignés avec les orifices de la pompe. Serrer à la main seulement, ne pas utiliser d'outils. Veiller à ce que toutes les valves soient ouvertes et que les raccords de la pompe soient serrés.
5. Rétablir l'alimentation vers la pompe et démarrer la pompe.
6. Une fois que la pompe est amorcée et que l'eau sort de la soupape de décharge d'air sur le filtre, fermer la soupape de décharge d'air et inspecter le système afin de savoir si une fuite est présente.

REMARQUE : Toutes les pompes dans ce manuel ont certifiées NSF comme pouvant pomper à une hauteur de 3 mètres (10 pi) au-dessus du niveau de l'eau de la piscine, au niveau de la mer. Cependant, pour parvenir à un meilleur auto-amorçage, installer la pompe aussi près que possible du niveau de l'eau de la piscine.

Se reporter aux Recommandations d'installation à la Section 3.2.3, *Recommandation d'installation pour connaître la bonne élévation et grandeur de tuyau.*

Le régime d'amorçage par défaut est de 2 750 tr/min. Il faudra environ 15 minutes pour amorcer la pompe à ce régime d'amorçage lorsque la pompe est située à 3 mètres (10 pieds) au-dessus de l'eau de la piscine. Si le régime d'amorçage est réglé à 3 450 tr/min, la pompe devrait s'amorcer dans les 6 minutes à 3 mètres (10 pieds) au-dessus du niveau de l'eau.

Si la pompe ne s'amorce pas et toutes les instructions à ce stade ont été respectées, vérifier s'il y a une fuite d'aspiration. S'il n'y a pas de fuite, répéter les étapes 1 à 5.

Pour une assistance technique, appeler le soutien technique Zodiac au 1.800.822.7933.

Section 6. Service et entretien

▲ MISE EN GARDE

Pour éviter d'endommager le plastique, ne pas utiliser de lubrifiant ni de mastic sur le joint torique. Il faut utiliser seulement de l'eau savonneuse pour installer et lubrifier le joint torique.

6.1 Nettoyer le panier de la pompe

Les débris qui s'accumulent dans le panier du filtre de la pompe commenceront à bloquer l'écoulement de l'eau. Le panier-filtre de la pompe doit être inspecté et nettoyé chaque semaine. Les facteurs environnementaux peuvent nécessiter une inspection plus fréquente.

1. Inspecter s'il y a des débris dans le panier du filtre de la pompe en regardant à travers le couvercle transparent de la pompe. Ceci peut être effectué que la pompe soit en marche ou non. Si des débris se sont accumulés, passer à l'étape 2.
2. Couper l'alimentation à la pompe. Si la pompe se trouve sous le niveau de l'eau, fermer les vannes d'isolation sur les côtés aspiration et décharge de la pompe pour empêcher le refoulement de l'eau.
3. Tourner l'anneau de blocage dans le sens anti-horaire pour retirer le couvercle.
4. Sortir le panier de la pompe.
5. Nettoyez soigneusement le panier. Si nécessaire, utilisez un tuyau d'arrosage, vaporisez le panier depuis l'extérieur pour aider à déloger les trous. Retirez tous les débris restants.
6. Reposer le panier dans la pompe en alignant l'ouverture avec le tuyau d'aspiration. S'il est bien aligné, le panier descendra facilement en place. Ne pas le forcer en place.

▲ MISE EN GARDE

Un panier mal aligné ne permettra pas de poser correctement le couvercle, provoquant une fuite d'air, qui pourrait entraîner des dommages à la pompe.

7. Retirer le joint d'étanchéité du couvercle et retirer les débris autour du siège du joint d'étanchéité, car ceci peut permettre l'entrée d'air dans le système. Nettoyer le joint d'étanchéité et le poser sur le couvercle.
8. Reposer le couvercle et l'anneau de blocage. Serrer le couvercle à la main pour assurer une bonne étanchéité. N'utiliser aucun outil pour serrer le couvercle; serrer uniquement à la main.
9. Vérifier que toutes les vannes sont de nouveau à la bonne position pour une opération normale.
10. Ouvrir le clapet de décharge de pression sur le filtre, et veiller à ce qu'il soit propre et prêt à fonctionner.
11. Mettre la pompe sous tension. Lorsque l'air a été évacué du filtre, fermer le clapet de décharge de pression.

6.2 Retrait du couvercle de la pompe

1. S'assurer que la pompe est éteinte.
2. S'assurer que le commutateur au coupe-circuit au moteur de la pompe est hors tension.
3. S'assurer que toutes les vannes d'isolation nécessaires sont fermées pour empêcher l'eau d'atteindre la pompe.
4. En suivant les indications de la bague de verrouillage, tourner la bague dans le sens inverse des aiguilles d'une montre pour retirer le couvercle.
5. Retirer délicatement l'anneau de blocage

▲ AVERTISSEMENT

RISQUE DE CHOC ÉLECTRIQUE

Éteindre tous les commutateurs et le disjoncteur principal du circuit électrique de la pompe à vitesse variable avant de commencer la procédure. Le défaut de se conformer peut entraîner un risque d'électrocution entraînant de graves blessures corporelles ou la mort.

RISQUE DE CHOC ÉLECTRIQUE

En raison du risque potentiel d'incendie, d'électrocution ou de blessures corporelles, les pompes Jandy® doivent être installées conformément au National Electrical Code® (NEC®), aux codes électriques et de sécurité locaux, ainsi que selon la loi Occupational Safety and Health Act (OSHA). Il est possible de commander des copies du NEC auprès de la National Fire Protection Association, 1 Batterymarch Park, Quincy, MA 02169, États-Unis, ou de votre agence d'inspection du gouvernement.

Au Canada, les pompes Jandy doivent être installées conformément au Code canadien de l'électricité (CCE).

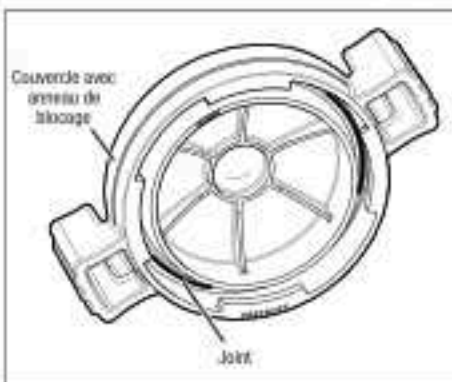


Figure 17. Joint torique dans le couvercle



Figure 18. Retrait du couvercle de la pompe

6.2.1 ePump et VS PlusHP Orientation du joint de couvercle

Le joint de couvercle utilisé sur les pompes ePump et VS PlusHP doit être installé dans l'orientation suivante si le joint est retiré ou remplacé pour un entretien en raison de fuites ou pour la nettoyage.

1. Retirer le joint du couvercle. Voir la Figure 18.
2. Essuyer le joint pour éliminer tout débris, puis nettoyer la rainure du joint torique dans le couvercle.
3. Insérer le joint dans la rainure du couvercle, les deux (2) nervures étant tournées vers l'intérieur de la rainure du couvercle et l'une (1) vers l'extérieur, en direction de la pompe. Voir la Figure 19 pour une visualisation en coupe transversale.

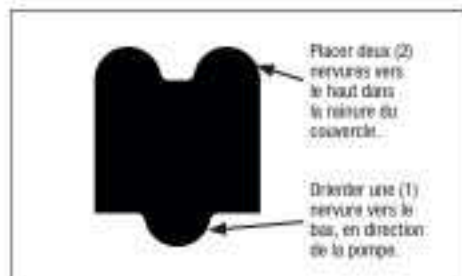


Figure 19. Coupe transversale du joint de couvercle

6.3 Préparation de la pompe pour l'hiver

⚠ MISE EN GARDE

La pompe **doit être** protégée en prévision des températures de gel. Si la pompe gèle, cela causera de graves dommages qui pourraient annuler la garantie.

Ne pas utiliser de solutions d'antigel dans les systèmes de piscine, de spa ou de cuve thermique.

L'antigel est très toxique et peut endommager le système de circulation. La seule exception est le propylène glycol. Pour plus d'informations, consulter le détaillant local en piscine/spa ou prendre contact avec une entreprise d'entretien de piscine qualifiée.

1. Vidanger toute l'eau de la pompe, de l'équipement du système et de la tuyauterie.
2. Retirer les deux (2) bouchons de vidange. Ranger les bouchons de vidange dans un endroit sûr et les réinstaller lorsque la saison froide est terminée. *S'assurer que les bouchons de vidange et les joints toriques ne sont pas égarés.*
3. Garder le moteur couvert et au sec. Ne pas couvrir la pompe avec du plastique, car ceci peut créer de la condensation susceptible d'endommager la pompe.

REMARQUE : Zodiac Pool Systems LLC recommande de faire débrancher le câblage électrique au commutateur ou à la boîte de jonction par un technicien d'entretien ou un électricien certifié. Une fois l'alimentation coupée, desserrer les deux (2) raccords et ranger les pompes à l'intérieur. Pour la sécurité et pour empêcher l'entrée de contaminants, réinstaller tous les couvercles de boîtes de contact et de bornes.

4. Lorsque le système est rouvert pour la mise en marche, demander à un technicien ou un électricien de vérifier que toute la tuyauterie, toutes les valves, tout le câblage et l'équipement est conforme aux recommandations du fabricant. Prêter une attention particulière au filtre et aux connexions électriques.
5. La pompe doit être amorcée avant d'être démarrée. Se reporter à la Section 5.1, Mise en route. La mise en marche.

Section 7. Dépannage et réparation

Zodiac Pool Systems LLC vous recommande fortement d'appeler un technicien qualifié pour toute intervention sur le système de filtre/pompe. Pour trouver un technicien qualifié, consultez les pages jaunes de votre région ou visitez ZodiacPoolSystems.com ou ZodiacPoolSystems.ca et cliquez sur « Points de vente ».

Symptôme	Cause possible/Solution
Le moteur ne démarre pas ou le contrôleur ne détecte pas le moteur.	Pas de courant au moteur. Demander à un professionnel certifié de vérifier la tension sur la borne d'alimentation principale avec le disjoncteur activé. La tension doit être autour des 110 % de la tension indiquée sur la plaque signalétique du moteur.
	Le moteur a expérimenté une erreur. Mettre le moteur hors tension. Si le moteur a rencontré une erreur, un code d'erreur peut apparaître sur le contrôleur. Pour effacer l'erreur, désactiver le disjoncteur principal connecté au moteur. Attendez au moins 5 minutes avant de remettre le moteur sous tension. La tension dans les condensateurs doit être complètement drainée pour un cycle d'alimentation adéquat.
	Mauvais câblage basse tension. La connexion RS-485 doit être sécurisée sans aucun fil coupé. Inspecter le câblage basse tension à la recherche de signes de corrosion. Si nécessaire, couper les fils et réinsérer les nouveaux fils. S'assurer qu'il n'y a pas de morceau de fil coupés à l'intérieur du connecteur RS-485.
	Câblage basse tension coupé. Le fil peut avoir des ruptures quelque part entre le moteur et le contrôleur. Lorsque tout est hors tension, prendre un multimètre et le régler sur Ohms/Continuité. Vérifier la continuité de chacune des lignes basse tension du côté moteur au côté contrôleur. Remplacer complètement les fils RS-485 si nécessaire.
	Mauvais câblage basse tension. Vérifier le câblage du connecteur RS-485. Les couleurs des fils pour les broches 1 à 4 doivent être rouge, noir, jaune et vert.
	Tester le lecteur avec la méthode du cavalier RS-485. En utilisant de petites sections de fil 22 AWG, relier les broches 1 à 3 et 2 à 4. Ces fils peuvent être fabriqués en coupant une section des fils RS-485. Réinstaller le contrôleur et fixer le capot d'accès. Injecter le courant au moteur. Le moteur doit tourner à 2 600 tr/min. Si le moteur fonctionne, il y a un problème avec la ligne RS-485 ou avec le contrôleur. Appeler le soutien technique Zodiac au 1.800.822.7933.
	Les commutateurs DP dans la mauvaise configuration. Le variateur de vitesse a deux commutateurs DP 3 et 4. Ceux-ci doivent tous deux être en position OFF pour la Pompe 01. C'est la configuration pour tous les contrôleurs qui ne sont pas automatisés et la première pompe pour l'automatisation. Si plusieurs pompes à vitesse variable sont contrôlées avec un système d'automatisation, elles doivent être dans la configuration appropriée. Se reporter à la section sur les commutateurs DP du manuel pour configurer les autres moteurs.
	Vérifier le cycle. Le moteur ne s'allume que pendant les durées programmées définies dans le contrôleur. Vérifier que le moteur est programmé pour s'allumer à ce moment.
	Si le moteur a encore des problèmes de démarrage ne continue à afficher des défauts, appelez le soutien technique Zodiac au 1.800.822.7933.
Le moteur ne démarre pas ou démarre et s'arrêtent peu de temps après.	Des débris peuvent être coincés entre la roue et le diffuseur. Cela empêchera l'arbre d'entraînement de tourner et causera une erreur au moteur. Faire vérifier par un professionnel agréé si l'arbre de transmission est grippé et hors tension. Un test rapide peut consister à insérer une clé Allen de 5/16 po à l'arrière du boîtier du ventilateur et dans l'arbre d'entraînement. Faire tourner manuellement l'arbre d'entraînement pour vérifier s'il est grippé. Si de grandes quantités de débris sont trouvés, vérifier qu'il n'y a pas de fissures dans le panier crépine. Remplacer le panier crépine si nécessaire.
	Si le moteur a encore des problèmes de démarrage, appelez le soutien technique Zodiac au 1.800.822.7933.
Le moteur devient chaud et s'éteint régulièrement.	Vérifier ce qu'il y a suffisamment de place autour du moteur pour que l'air circule et refroidisse le moteur. Demander à un électricien qualifié de vérifier le serrage des connexions électriques ainsi que la tension du moteur lorsqu'il est en fonction. Si la tension principale est en dehors de 10 % de la plaque signalétique du moteur, le moteur peut être soumis à des charges excessives. Contacter le fournisseur de service d'alimentation local.
Aucune alimentation au niveau du contrôleur.	Ceci est exclusif à tout contrôleur qui n'est pas un système d'automatisation. Le moteur peut alimenter les contrôleurs via la ligne RS-485. Demander à un électricien certifié de tester la tension sur la ligne RS-485 tant que le moteur est sous tension. Il devrait y avoir entre 8 et 12 volts DC entre les broches 1 et 4. Si la tension est inférieure ou nulle, appelez le soutien technique Zodiac au 1.800.822.7933.
	Mauvais câblage basse tension. Vérifier le câblage du connecteur RS-485. Les couleurs des fils pour les broches 1 à 4 doivent être rouge, noir, jaune et vert.
Les relais auxiliaires ne fonctionnent pas.	S'assurer que le moteur tourne à sa vitesse 1 725 tr/min pour les équipements câblés sur Aux 1 et à 2 250 tr/min pour les équipements câblés sur Aux 2. Lors de la première mise en marche de la pompe, il faut attendre 3 minutes avant la fermeture des contacts. Attendre 5 secondes avant la fermeture des contacts lorsque la vitesse de contact minimale est atteinte.

Symptôme	Cause possible/Solution
	Le problème peut provenir d'équipements reliés au relais. Consulter le manuel du propriétaire de l'équipement pour vous assurer que l'équipement auxiliaire n'est pas en panne.
	Si les relais ne s'engagent toujours pas, appeler le service technique Zodiac au 1.800.822.7933.
Pas de communication avec l'automatisation.	L'automatisation Jandy a perdu la communication avec la pompe. Coupez l'alimentation du système d'automatisation et de la pompe. Attendez cinq (5) minutes et remettez l'alimentation au système d'automatisation d'ASORO. Attendez une (1) minute, puis remettez l'alimentation à la pompe.
Les contacts secs ne fonctionnent pas.	Tester le lecteur avec la méthode du cavalier RS-485. En utilisant de petites sections de fil 22 AWG, relier les braches 1 à 3 et 2 à 4. Ces fils peuvent être fabriqués en coupant une section des fils RS-485. Réinstaller le connecteur et fixer le capot d'accès. Injecter le courant au moteur. Le moteur doit tourner à 2 600 tours. Si le moteur fonctionne, il y a un problème avec les contacts secs ou les lignes de contacts secs. Appeler le service technique Zodiac au 1.800.822.7933.
	Câblage basse tension coupé. Le fil peut avoir des ruptures quelque part entre le moteur et les commutateurs externes. Lorsque tout est hors tension, prendre un multimètre et le régler sur Ohms/Continuité. Vérifier la continuité de chacune des lignes basse tension du côté moteur au côté contrôleur. Remplacer complètement les fils de contact sec si nécessaire.

7.1 Entretien par un technicien

▲ MISE EN GARDE

Cette pompe doit être entretenue par un technicien d'entretien professionnel et qualifié en installation de piscine/spa. Les procédures suivantes doivent être suivies à la lettre. Une mauvaise installation et/ou le fonctionnement peut présenter de dangereux risques électriques, ce qui peut causer des tensions élevées à travers le système électrique. Ceci peut causer un dommage matériel, de graves blessures corporelles et/ou la mort. Une mauvaise installation ou utilisation annule la garantie.

▲ AVERTISSEMENT

Avant de procéder à l'entretien de la pompe, mettre hors tension les disjoncteurs à la source d'alimentation. De graves blessures corporelles ou la mort peuvent se produire si la pompe démarre lorsque votre main est à l'intérieur de la pompe.

7.1.1 Rotor bloqué

1. Arrêter la pompe. Couper le disjoncteur au moteur de la pompe.
2. Retirer le couvercle et le panier.
3. Regarder s'il y a des débris à l'intérieur de la pompe et les retirer.
4. Reposer le panier et le couvercle.
5. Réactiver le disjoncteur au moteur de la pompe.
6. Allumer la pompe pour voir si le problème est résolu.
7. Si l'impulseur est toujours bloqué par des débris et qu'il n'est pas possible de les retirer en suivant l'étape 2 à 4, il faudra démonter la pompe pour accéder à l'entrée et à la sortie de l'impulseur.

Section 8. Spécifications du produit et données techniques

Vue éclatée pour référence générale seulement. Des modèles spécifiques peuvent différer. Se reporter aux coordonnées ci-dessus pour obtenir des informations sur les pièces de rechange de modèles de pompes spécifiques. Pour obtenir une liste complète des pièces de rechange, visiter le site www.jandy.com ou appeler le soutien technique Zodiac au 1.800.822.7933 ou envoyer un courriel à l'adresse productsupport@fluidra.com. Au Canada, appeler le 1.888.647.4004 ou envoyer un courriel à customer.service@fluidra.com.

8.1 Vues éclatées

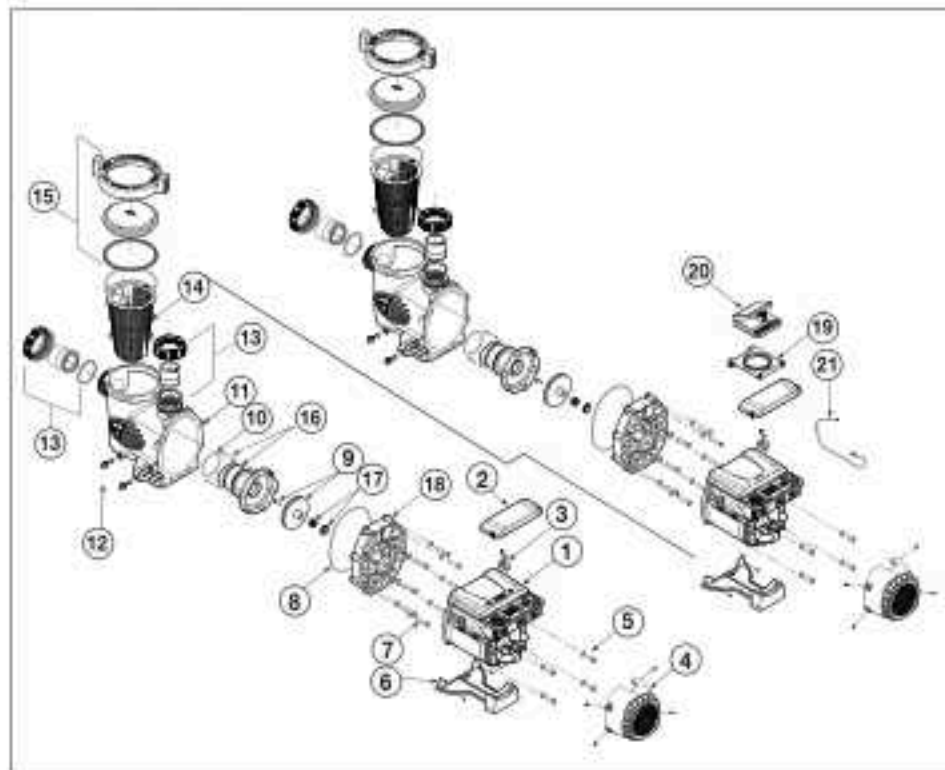


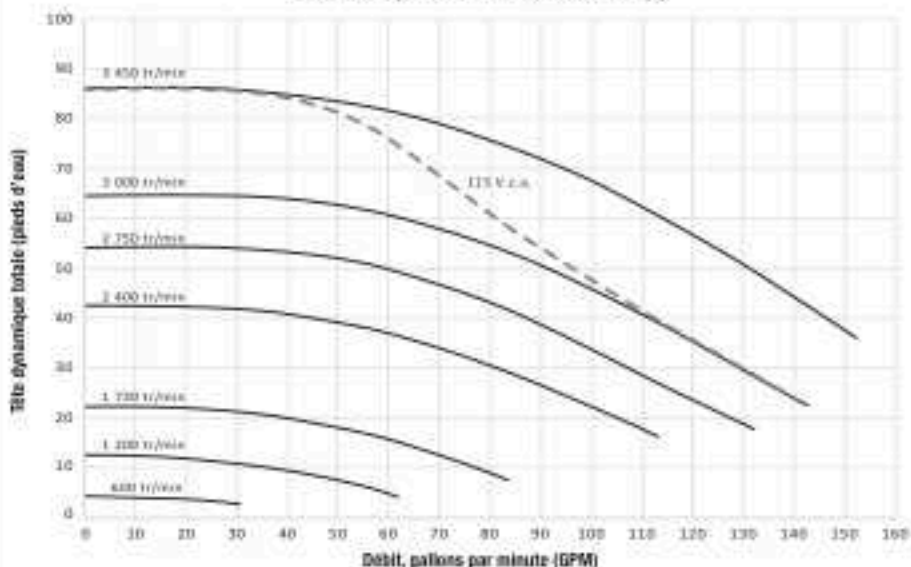
Figure 20. Vue éclatée de pompes à vitesse variable Jandy (certains modèles spécifiques peuvent différer de l'illustration)

Article	Description
1	Moteur; Entraînement
2	Couvercle d'accès
3	Joint torique du couvercle d'accès
4	Capot du ventilateur
5	Boulons/transelles de montage moteur
6	Plat de montage moteur
7	Boulons/transelles de support de plaque
8	Joint torique de la plaque arrière
9	Roue et vis de montage
10	Joint torique du diffuseur
11	Corps de pompe

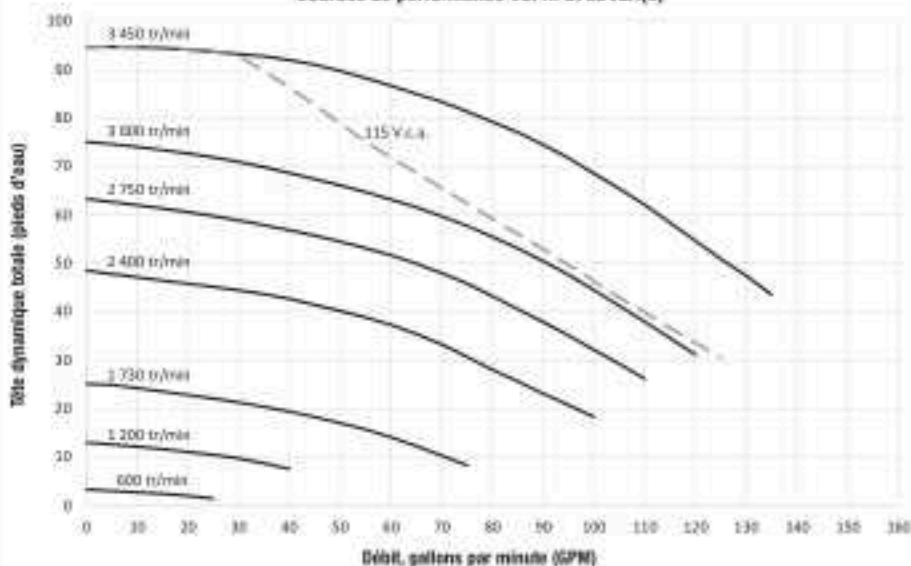
Article	Description
12	Bouchons de vidange avec joint torique
13	About, joint torique et écrou-raccord
14	Panneau filtre pour débris de pompe
15	Assemblage de couvercle
16	Diffuseur et vis de montage
17	Joint d'étanchéité mécanique
18	Plaque arrière
19	Montage chambre contrôleur SpeedSet
20	Contrôleur de pompe SpeedSet VS
21	Câblage R9485 pour contrôleur SpeedSet

8.2 Courbes de performance

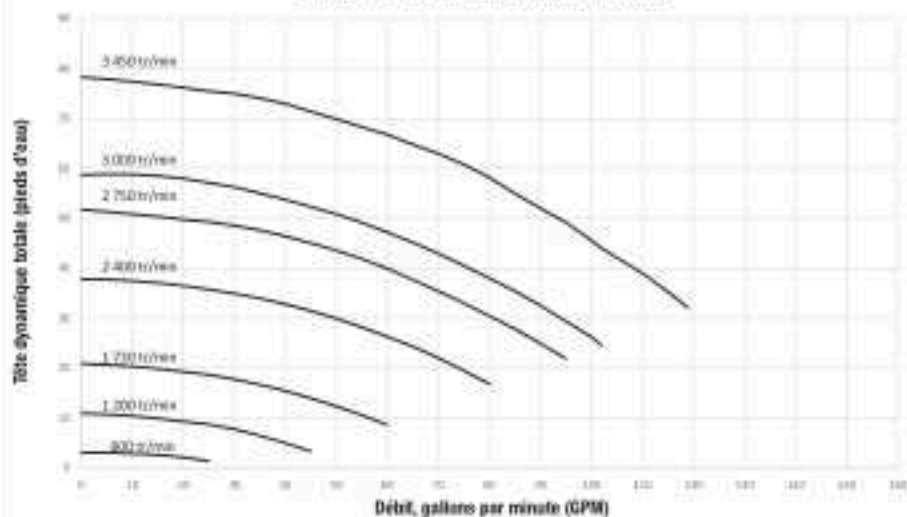
Courbes de performance VSPHP270DV2A(S)



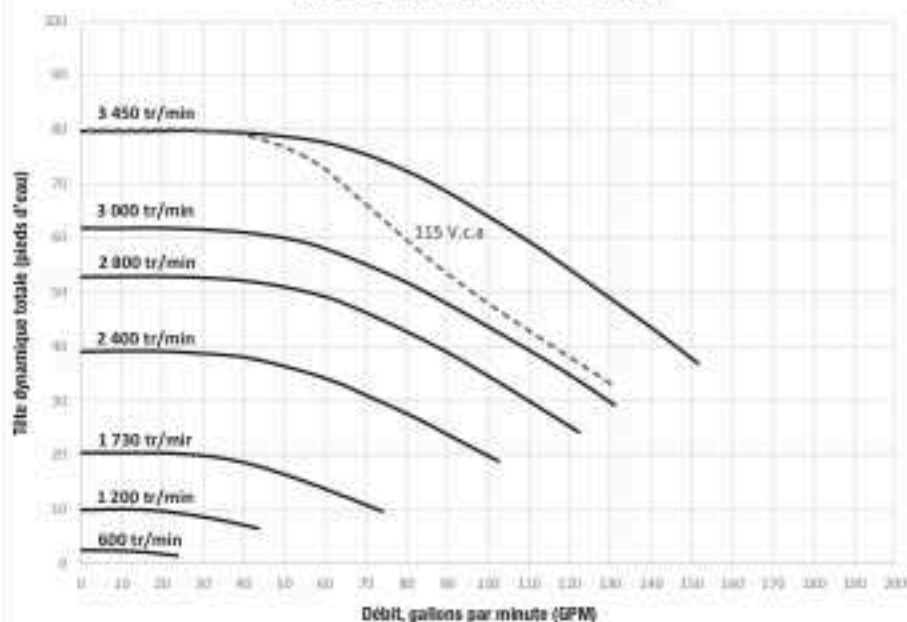
Courbes de performance VSFHP270DV2A(S)



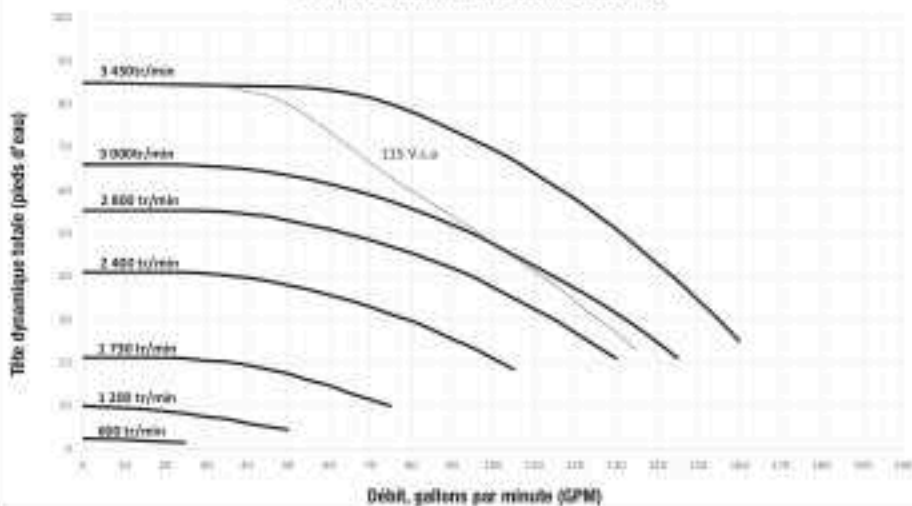
Courbes de performance VSFHP185DV2A(S)



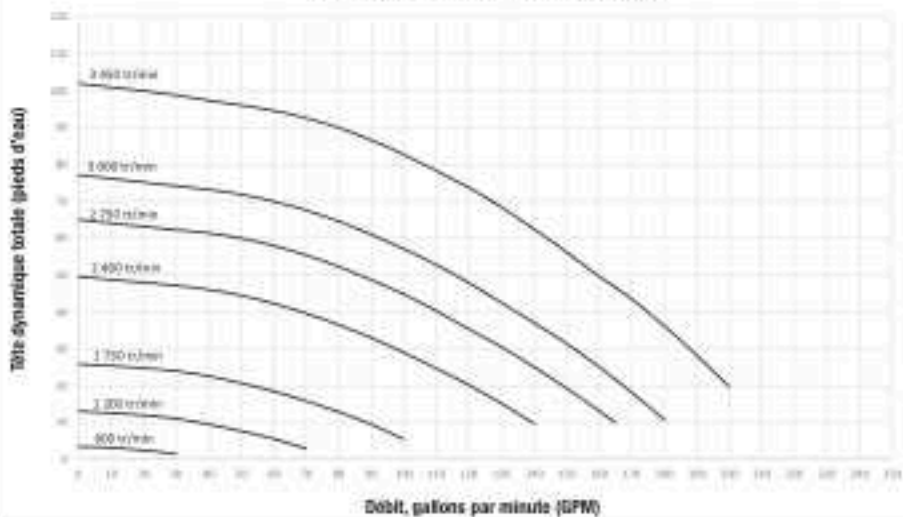
Courbes de performance VSSH220DV2A(S)



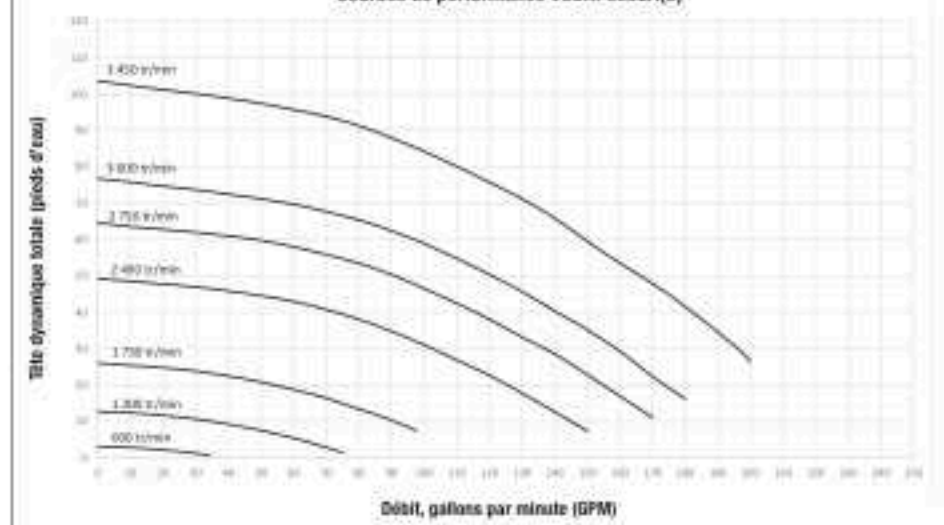
Courbes de performance VSSH270DV2A(S)



Courbes de performance VSFHP3802A(S)



Courbes de performance VSSNP3802A(S)



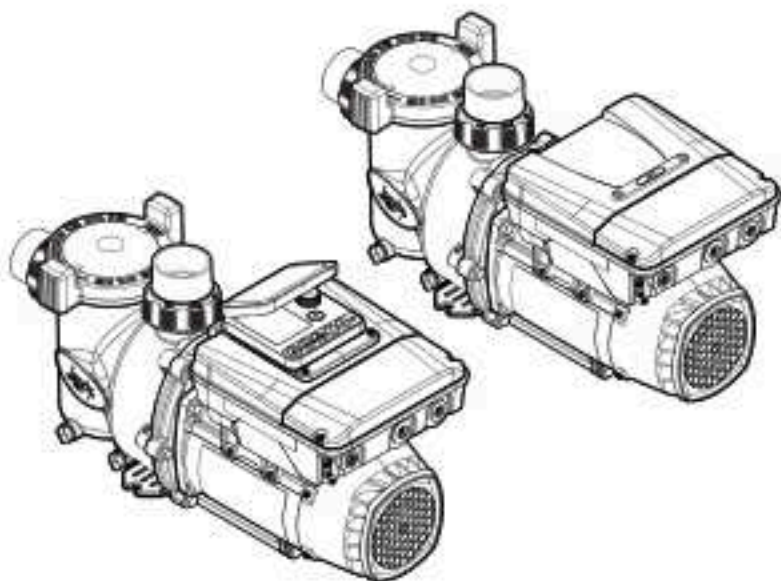
A Fluidra Brand | Jandy.com | Jandy.ca
2882 Whiptail Loop # 100, Carlsbad, CA 92010, USA | 1.800.822.7933
2-3385 Mainway, Burlington, ON L7M 1A6, Canada | 1.800.822.7933

©2024 Jandy Pool Systems LLC. Tous droits réservés.
Tous les autres droits de propriété intellectuelle sont la propriété de leurs propriétaires respectifs.

H0707400_REV0



ETL LISTED CONFORMS TO UL STD 609
CERTIFIED TO CSA STD 622-00 400



Bombas de velocidad variable

Modelos: VSFHP185DV2A(S) VSFHP270DV2A(S) VSPHP270DV2A(S)
VSSHP220DV2A(S) VSSHP270DV2A(S) VSFHP3802A(S)
VSSHP3802A(S)

En este manual se incluyen las instrucciones esenciales de instalación y puesta en marcha. La información adicional sobre el funcionamiento y la solución de problemas se tiene disponible en línea escaneando el código QR con su teléfono o visitando jandy.com



⚠ ADVERTENCIA

ADVERTENCIA POR SU SEGURIDAD – Este producto debe ser instalado y reparado por un contratista autorizado y cualificado en equipos de piscinas por la jurisdicción en la que se instalará el producto cuando existan tales requisitos estatales o locales. La persona encargada de revisar el servicio debe ser un profesional con suficiente experiencia en la instalación y el mantenimiento del equipo de piscina para que todas las instrucciones de este manual puedan seguirse correctamente. Lea y siga todas las advertencias e instrucciones que acompañan a este producto antes de instalarlo. El incumplimiento de los avisos de advertencia y las instrucciones puede provocar daños materiales, lesiones personales o la muerte.

La instalación y/o el funcionamiento inadecuados pueden crear un peligro eléctrico no deseado que puede causar lesiones graves, daños materiales o la muerte.



ATENCIÓN INSTALADOR – Este manual contiene información importante sobre la instalación, el funcionamiento y el uso seguro de este producto. Esta información debe entregarse al propietario u operador de este equipo.

Contenido

Sección 1. Instrucciones importantes de seguridad.....	59	Sección 4. Funcionamiento del contacto sin energía.....	71
1.1 Instrucciones de seguridad.....	59	4.1 Ajustes de velocidad de los contactos sin energía.....	71
1.2 Pautas para la prevención de atrapamiento por la succión de la bomba.....	60	4.2 Llevar a cabo la prueba de presión.....	72
Sección 2. Descripción general.....	61	Sección 5. Operación.....	74
2.1 Introducción.....	61	5.1 Puesta en funcionamiento.....	74
2.2 Dimensiones del producto.....	61	Sección 6. Servicio y mantenimiento.....	74
2.3 Especificaciones del producto.....	62	6.1 Limpie la canasta de la bomba.....	74
2.4 Contenido del producto.....	62	6.2 Quitar la tapa de la bomba.....	75
Sección 3. Información sobre la instalación.....	64	6.3 Preparación de la bomba para el invierno.....	76
3.1 Motor TEFC con espacio libre cero.....	64	Sección 7. Resolución de problemas y reparación.....	76
3.2 Tuberías.....	64	7.1 Mantenimiento del técnico de servicio.....	78
3.3 Instalación eléctrica.....	67	Sección 8. Especificaciones del producto y datos técnicos.....	78
3.4 Configuración del controlador de la bomba/sistema de automatización.....	69	8.1 Vistas ampliadas.....	79
3.5 Configuración de los interruptores DIP.....	69	8.2 Curvas de desempeño.....	80
3.6 Operación del relé auxiliar.....	70		

REGISTRO DE INFORMACIÓN DEL EQUIPO

Fecha de instalación _____

Información del instalador _____

Lectura inicial del medidor de presión (con filtro limpio) _____

Modelo de bomba _____ Potencia _____

Notas: _____

⚠ PRECAUCIÓN

No ponga en marcha la bomba en seco: Si se hace funcionar la bomba en seco durante la cantidad de tiempo que sea, ocurrirán daños graves y podría anularse la garantía.

Esta bomba es para su uso en piscinas permanentes y también se puede utilizar en jacuzzis e hidromasajes, si así lo indica. No use este producto con piscinas almacenables. Las piscinas permanentes están construidas dentro del suelo o sobre él, o en un edificio de tal manera que no se pueden desmontar para su almacenamiento. Las piscinas almacenables están construidas de manera que pueden ser fácilmente desmontadas para su almacenamiento y pueden volver a montarse para que tengan su estado original.

No haga la instalación dentro de un recinto exterior ni debajo del toldón de un hidromasaje. La bomba requiere una ventilación adecuada para mantener una temperatura del aire menor a la temperatura ambiente máxima nominal detallada en la placa de calificaciones nominales del motor.

Para evitar la falla prematura o los daños en el motor de la bomba, proteja la bomba de la exposición directa al agua de resacas, escurrimiento de agua de techos y drenajes, etc. De lo contrario, la bomba podría fallar y se podría anular la garantía.

1.2 Pautas para la prevención de atrapamiento por la succión de la bomba**⚠ ADVERTENCIA**

PELIGRO DE SUCCIÓN. Puede provocar lesiones graves o la muerte. No use esta bomba para piscinas infantiles, piscinas de poca profundidad o espas que contengan drenajes en el fondo, a menos que la bomba esté conectada a por lo menos dos (2) salidas de succión, en funcionamiento o de acuerdo con la versión más reciente de ANSI/APSPA/ICC-7 la norma para evitar el atrapamiento por succión en piscinas, piscinas infantiles, espas, hidromasajes y cuencos hidrográficos, en que la bomba esté conectada por lo menos a dos (2) salidas de succión en funcionamiento.

La succión de la bomba es peligrosa y puede atrapar y ahogar o descuartilar a los bañistas. No use ni opere piscinas, hidromasajes ni jacuzzis si falta una cubierta de las salidas de succión, está rota o está floja. Las pautas siguientes proporcionan información para la instalación de la bomba que minimiza el riesgo de lesiones para los usuarios de piscinas, hidromasajes y jacuzzis.

Protección contra el atrapamiento: El sistema de succión de la bomba debe proporcionar protección contra los peligros del atrapamiento por succión.

Cubiertas de las salidas de succión: Todas las salidas de succión deben tener cubiertas correctamente instaladas y apriettadas en su lugar. Todas las cubiertas de salida (drenaje) de succión deben instalarse correctamente. Deben reemplazarse si están agrietadas o rotas, o si faltan. Las cubiertas de drenaje deben estar incluídas/certificadas en la edición publicada más reciente de ANSI/APSPA/A112.19.8 o su norma sucesora, ANSI/APSPA-16. La piscina debe cerrarse y deben restringirse el ingreso de los bañistas a la piscina hasta el reemplazo de cualquier cubierta de drenaje agrietada o rota o que falta.

Cantidad de salidas de succión por bomba: Proporcione al menos dos (2) salidas de succión balanceadas hidráulicamente, con cubiertas, como salidas de succión para cada línea de succión de la bomba de circulación. Los centros de las salidas de succión (salidas de succión de cualquier una (1) línea de succión) deben estar a al menos tres (3) pies de distancia de centro a centro. Consulte la Figura 4.

El sistema **debe** construirse para incluir al menos dos (2) salidas (drenaje) de succión conectadas a la bomba siempre que la bomba esté en funcionamiento. Sin embargo, si dos (2) salidas de succión van a una única línea de succión, la única línea de succión puede estar equipada con una válvula que apague ambos salidas de succión desde la bomba. El sistema se construirá de tal modo que lo permita el cierre o el aislamiento separado independiente de cada drenaje. Consulte la Figura 4.

Es posible conectar bombas adicionales a una única línea de succión siempre que se cumplan los requisitos anteriores.

SOFA desbloqueable – Si es aceptable por el código local y la Autoridad Competente (AHJ), se puede utilizar un único SOFA desbloqueable. Para que un SOFA desbloqueable pueda considerarse un drenaje desbloqueable en virtud de la Ley Graham Baker de Virginia (VGBA), el conjunto de accesorio de salida de succión (SOFA) deberá estar certificado como desbloqueable y ser designado por el fabricante como desbloqueable. Las instrucciones del fabricante deberán indicar que el SOFA está autorizado para su uso como salida de succión desbloqueable de conformidad con ANSI/APSPA/ICC-16. Los SOFA desbloqueables certificados deben instalarse de acuerdo con las instrucciones del fabricante, la edición más reciente de ANSI/APSPA/ICC-7 y el código local aplicable.

Velocidad del agua: La velocidad máxima del agua a través del conjunto de salida de succión y su cubierta para cualquier salida de succión no debe superar la tasa de flujo de diseño máxima del conjunto de la salida de succión y de su cubierta. El conjunto de salida (drenaje) de succión y su cubierta deben cumplir la versión más reciente de ANSI/APSPA/A112.19.8, la norma para acoples de succión para usarlos en piscinas, piscinas infantiles, hidromasajes y jacuzzis o su norma sucesora, ANSI/APSPA-16.

Pruebas y verificación: Las cubiertas de salida de succión deben haber sido probadas por un laboratorio de pruebas con reconocimiento nacional y debe haberse determinado que cumplen la edición publicada más reciente de ANSI/APSPA/A112.19.8 o su norma sucesora, ANSI/APSPA-16, la norma para acoples de succión para usarlos en piscinas, piscinas infantiles, hidromasajes y jacuzzis.

Acoples: Los acoples restringen el flujo para más eficiencia, use la menor cantidad de acoples posible (pero al menos dos (2) salidas de succión o SOFA desbloqueables certificados).

Evite los acoples que pueden provocar que quede aire atrapado.

Los acoples de succión del limpiador de la piscina deben cumplir las normas aplicables de la International Association of Plumbing and Mechanical Officials (IAPMO).

GUARDE ESTAS INSTRUCCIONES

Sección 2. Descripción general

2.1 Introducción

Las bombas de velocidad variable Jandy® pueden funcionar entre 600 RPM y 3450 RPM. Esto le permite seleccionar la velocidad más adecuada para su aplicación. Las bombas de este manual son compatibles con todos los controladores Jandy y con los sistemas de automatización Jandy. La bomba es impulsada por un motor conmutado electrónicamente (ECM) de velocidad variable conectado directamente al impulsor de la bomba. El motor hace girar el impulsor, que fuerza el flujo de agua a través de la bomba. A medida que la velocidad del motor varía, el flujo a través de la bomba también varía. La tasa

de flujo ajustable permite optimizar el flujo durante los diversos requisitos del ciclo de la bomba. Como resultado, la eficiencia energética de la bomba se maximiza, lo que conlleva ahorros en los costos para el propietario de la piscina y ayuda a conservar el medio ambiente.

Este manual contiene información para la instalación, la operación y el mantenimiento correctos de las bombas que se detallan aquí. Los procedimientos de este manual se deben seguir exactamente. Para obtener copias adicionales de este manual, visite el sitio web Jandy.com.

2.2 Dimensiones del producto

NOTA: Al instalar una bomba, deje un mínimo de seis (6) pies (60 cm) de espacio libre por arriba de la bomba para quitar la carcasa del filtro, trabajar en el compartimento de cableado y abrir y cerrar la tapa del controlador de la bomba.

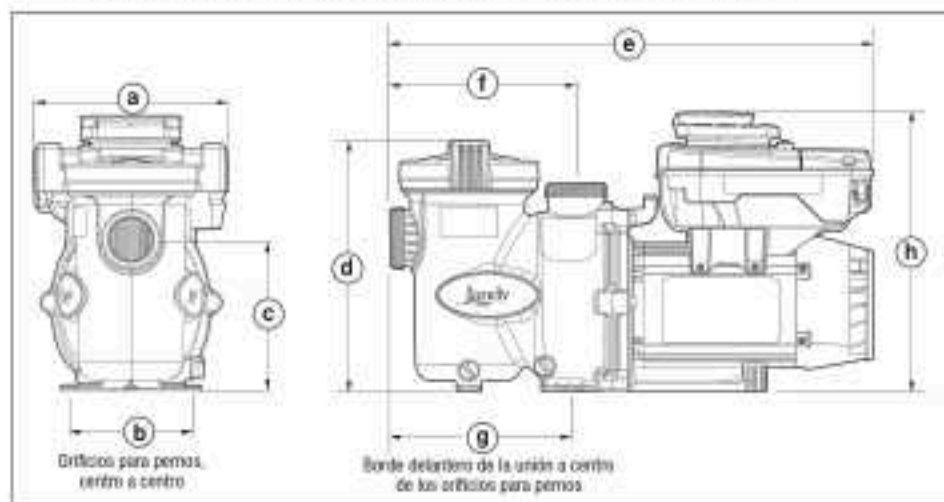


Figura 1. Dimensiones de la bomba de velocidad variable

N.º de modelo	Dimensiones							
	a	b	c	d	e	f	g	h
V5HF185DV5A(S)	10"	8 1/2"	7 3/4"	12 3/4"	24 1/2"	9 1/2"	9 1/8"	14"
V5HF270DV2A(S)	10"	8 1/2"	7 3/4"	12 3/4"	24 1/2"	9 1/2"	9 1/8"	14"
V5HF3802A(S)	10"	8 1/2"	7 3/4"	12 3/4"	24 1/2"	9 1/2"	9 1/8"	14"
V5HF270DV2A(S)	9 1/8"	9"	8 7/8"	14 1/8"	27 5/8"	11 7/8"	9 3/8"	15"
V5SH220DV3A(S)	11 5/8"	9"	10 3/8"	15 1/4"	30 1/8"	14"	11 5/8"	15"
V5SH270DV3A(S)	11 5/8"	9"	10 3/8"	15 1/4"	30 1/8"	14"	11 5/8"	15"
V5SH3802A(S)	11 5/8"	9"	10 3/8"	15 1/4"	30 1/8"	14"	11 5/8"	15"

2.3 Especificaciones del producto

N.º de modelo	THP	WEF	Voltaje	Wattios máx.	Amp. máx.	Tamaño de la unión	Peso
VSPHP1600V2A(S)	1,65	8,5	208-230 VCA 115 VCA	1700 W 1600 W	8,5-8,0 16,0	Uniones de 2" y roscas internas de 2"	44 lb (20 kg)
VSPHP2700V2A(S)	2,70	7,3 8,7	208-230 VCA 115 VCA	2550 W 1840 W	11,5-10,5 16,0	Uniones de 2" y roscas internas de 2"	44 lb (20 kg)
VSPHP3800A(S)	3,80	6,0	208-230 VCA	3360 W	16,0	Uniones de 2" y roscas internas de 2"	57 lb (26 kg)
VSPHP2700Dv2A(S)	2,70	7,3 8,4	208-230 VCA 115 VCA	2250 W 1840 W	11,5-10,5 16,0	2" x 2 1/2"	64 lb (29 kg)
VSSHP2200V2A(S)	2,20	8,0 8,8	208-230 VCA 115 VCA	2190 W 1660 W	11,5-10,5 16,0	2" x 2 1/2"	66 lb (25 kg)
VSSHP2700V2A(S)	2,70	7,5 9,0	208-230 VCA 115 VCA	2370 W 1675 W	11,5-10,5 16,0	2" x 2 1/2"	66 lb (25 kg)
VSSHP3800A(S)	3,80	6,5	208-230 VCA	3120 W	16,0	2,8" x 3"	70 lb (32 kg)

2.4 Contenido del producto

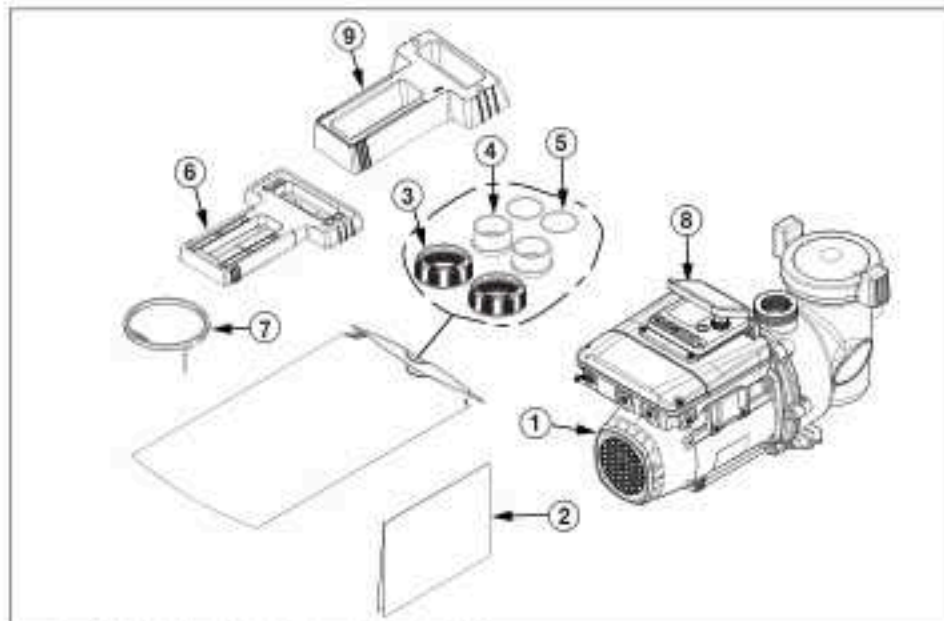


Figura 2. Contenido de la caja de la bomba de velocidad variable

Elemento	Descripción
1	Bomba de velocidad variable
2	Manual de instalación y operación
3	Tuerca de la unión (2)
4	Placa posterior (2)
5	Junta tórica (2)
6	Base ajustable pequeña con espáculas, modelos VSP-P
7	Cable, 30' 22GA, 4 conductores

Elemento	Descripción
8	Controlador SpeedSet (Solo modelos que finalizan en S)
9	Base grande, modelos VSPHP opcional vendido por separado R0546400

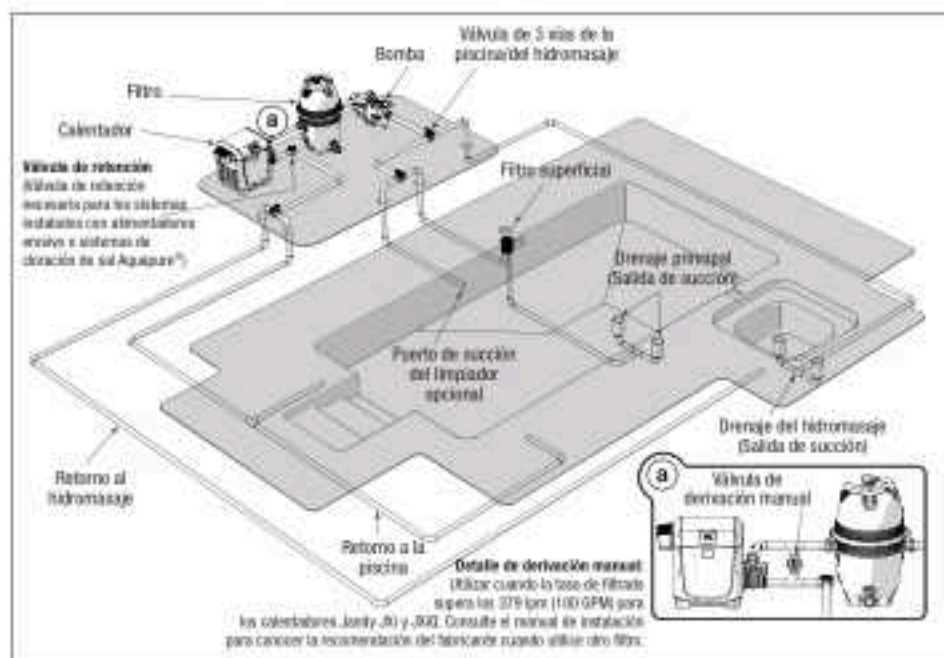


Figura 3. Instalación típica de las tuberías

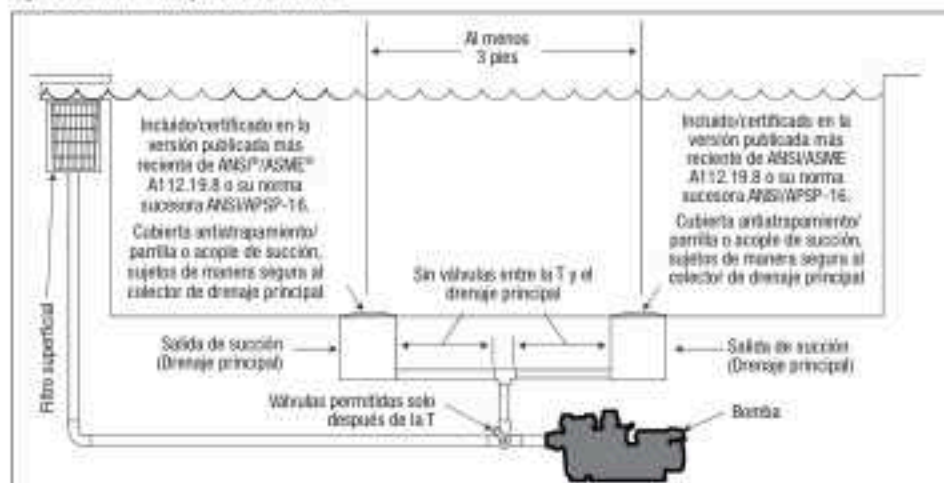


Figura 4. Cantidad de salidas de succión por bomba*

***SOFA desbloqueable** – Si es aceptable por el código local y la Autoridad Competente (AHJ), se puede utilizar un único SOFA desbloqueable. Para que un SOFA desbloqueable pueda considerarse un desagüe desbloqueable en virtud de la Ley Graham Baker de Virginia (VGBA), el conjunto de accesorios de salida de succión (SOFA) deberá estar certificado como desbloqueable y ser designado por el fabricante como desbloqueable. Las instrucciones del fabricante deberán indicar que el SOFA está autorizado para su uso como salida de succión desbloqueable de conformidad con ANSI/APSP/ICC-16. Los SOFA desbloqueables certificados deben instalarse de acuerdo con las instrucciones del fabricante, la edición más reciente de ANSI/PHTA/ICC-7 y el código local aplicable.

Sección 3. Información sobre la instalación

3.1 Motor TEFC con espacio libre cero

Las bombas Jandy de este manual incluyen un motor completamente cerrado entrado por ventilador (TEFC) con espacio libre cero. A diferencia de la mayoría de los motores TEFC que toman aire fresco desde la parte posterior del protector del ventilador y requieren 2" a 3" de espacio libre, el motor TEFC con espacio libre cero Jandy toma aire desde las partes superior, inferior y laterales del protector del ventilador. El motor TEFC con espacio libre cero posibilita instalar la bomba con un espacio libre mínimo entre la parte posterior del protector del ventilador y posibles obstrucciones, como una cerca o un ciemiento. Debe proporcionarse, de todos modos, un espacio libre a los lados del motor y del protector del ventilador para permitir un flujo de aire adecuado y el mantenimiento de la bomba.

3.2 Tuberías

3.2.1 Información sobre la preparación

1. Verifique que no haya daños en la caja de la bomba. Si encuentra algún daño, comuníquese con el transportista o con el distribuidor al que le compró la bomba.
2. Inspeccione el contenido de la caja y verifique que se hayan incluido todas las piezas.

3.2.2 Ubicación de la bomba

Zodiac Pool Systems LLC recomienda instalar la bomba dentro de un pie (30 cm) por arriba del nivel del agua. La bomba no debe estar elevada más de 6 pies (152 cm). Si la bomba está ubicada por debajo del nivel del agua, deben instalarse válvulas de aislamiento en las tuberías de aspiración y de retorno para evitar el reflujo del agua de la piscina durante los servicios de rutina o requeridos.

⚠ ADVERTENCIA

Una válvula de retención puede interferir con el funcionamiento correcto de determinados productos de sistema de desfogeo de vacío de succión (suction vacuum release system, SVRS). Para evitar posibles peligros de atrapamiento, lesiones graves o la muerte, asegúrese de reparar el manual de operación/del propietario de su producto específico del SVRS antes de instalar la válvula de retención.

Para disminuir el riesgo de incendio, instale los equipos para piscinas en una zona donde no se acumulen residuos sobre los equipos o alrededor de ellos. Mantenga la zona circundante sin residuos como papel, hojas, agujas de pino y otros materiales combustibles.

⚠ PRECAUCIÓN

Para evitar la falla prematura o los daños en el motor de la bomba, proteja la bomba de la exposición directa al agua de rociadores, escurrimiento de agua de techos y drenajes, etc. De lo contrario, la bomba podría fallar y se podría anular la garantía.

NOTA: Si el equipo para piscinas está ubicado debajo de la superficie de la piscina, una fuga puede provocar una gran pérdida de agua o una inundación. Zodiac Pool Systems LLC no se hace responsable por tales pérdidas de agua ni por inundaciones ni por los daños resultantes.

1. Instale la bomba de modo tal que cualquier medio de desconexión o caja de conexiones para la conexión de energía esté a la vista desde la bomba y a al menos cinco pies horizontalmente desde el borde de la piscina o del hidromasaje. Elija una ubicación que minimice los doblesces en la tubería.

NOTA: En Canadá, la distancia mínima manteniendo desde el borde de la piscina o el hidromasaje según se indica arriba debe ser de 3 metros (10 pies), según lo requiere el Código Eléctrico Canadiense (CEC, CSA C22.1).

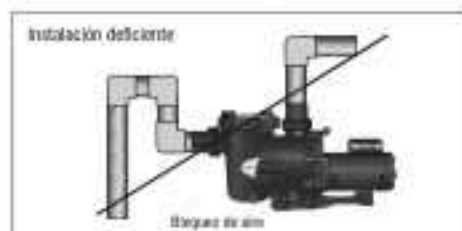
2. Coloque la bomba sobre un cimiento sólido que no vibrará. Para reducir aún más la posibilidad de ruido por vibraciones, atornille la bomba al cimiento.
3. Asegúrese de que el cimiento tenga un drenaje adecuado para evitar que el motor de la bomba se humedezca. La bomba debe protegerse de la lluvia y del sol.
4. Asegúrese de que la bomba tenga la ventilación adecuada para prevenir el sobrecalentamiento del motor.
5. Proporcione espacio suficiente para los mantenimientos. Para ello, deje una zona despejada alrededor de la bomba.
6. Proporcione iluminación adecuada si el equipo está en un área potencialmente oscura.

Tamaño de tubo	Sección de flujo máxima (6 pies por segundo)	Descarga de flujo máxima (6 pies por segundo)
1½" (38 mm)	37 GPM (140 LPM)	50 GPM (189 LPM)
2" (51 mm)	62 GPM (235 LPM)	85 GPM (322 LPM)
2½" (64 mm)	88 GPM (333 LPM)	120 GPM (454 LPM)
3" (76 mm)	136 GPM (515 LPM)	184 GPM (697 LPM)
4" (102 mm)	214 GPM (806 LPM)	313 GPM (1185 LPM)

Tabla 1. Tabla de tamaños de tubos para PVC ósula 40

3.2.3 Recomendaciones de instalación

1. Como ayuda para evitar las dificultades al cobrar, instale el tubo de succión sin puntos altos (sobre la entrada de la bomba; "U" invertidas, denominadas en general en el campo de la plomería como "cámaras de aire") que puedan atrapar aire. Para la instalación de equipos hasta 100 pies (30 m) del agua, consulte la Tabla 1 de tamaños de los tubos. Para la instalación de equipos a más de 100 pies (30 m) del agua, el tamaño de tubo recomendado debe aumentarse al tamaño siguiente.



- Las uniones tanto del puerto de succión como del puerto de descarga simplifican la instalación y la reparación, a la vez que eliminan la posibilidad de pérdidas en los adaptadores roscados.
- La bomba debe conectarse al menos a dos drenajes principales con balanceo hidráulico para cada tubería de aspiración de la bomba de la piscina. Cada conjunto de drenaje (salida de succión) debe proporcionarse con cubiertas y debe estar incluido o certificado según la edición publicada más reciente de ANSI/ASME® A112.19.8, o su norma sucesora, ANSI/APSP-16. Los acoples de succión de los drenajes principales deben estar al menos a tres pies (1 m) de distancia o en planos diferentes. Los acoples de succión pueden ser un drenaje y un succionador, dos drenajes, dos succionadores o un succionador con un filtro corrector instalado. Verifique las normativas locales para una instalación correcta.

NOTA: Para prevenir el atascamiento, el sistema debe construirse para que no puede operar con la bomba obteniendo agua de solo un drenaje principal. Debe haber al menos dos drenajes principales conectados a la bomba cuando esté en funcionamiento. Sin embargo, si dos drenajes principales van a una única tubería de aspiración, dicha tubería de aspiración puede estar equipada con una válvula que cierre ambos drenajes principales desde la bomba.

SOFA desbloqueable – Si es aceptable por el código local y la Autoridad Competente (AUL), se puede utilizar un único SOFA desbloqueable. Para que un SOFA desbloqueable pueda considerarse un desajuste desbloqueable en virtud de la Ley Graham Baker de Virginia (VGBA), el conjunto de accesorios de salida de succión (SOFA) deben estar certificado como desbloqueable y ser designado por el fabricante como desbloqueable. Las instrucciones del fabricante deberán indicar que el SOFA está autorizado para su uso como salida de succión desbloqueable de conformidad con ANSI/APSP1CC-16. Los SOFA desbloqueables certificados deben instalarse de acuerdo con las instrucciones del fabricante, la edición más reciente de ANSI/APTA1CC-7 y el código local aplicable.

- La tubería debe tener el soporte adecuado y no debe forzarse donde experimente un estrés constante.
- Use siempre válvulas del tamaño correcto.
- Utilice la menor cantidad de acoples posible y reduzca el uso de tubos acodados de 90 grados. Cada acople o distancia de tubo adicional aumenta la resistencia al flujo, lo que hace que la bomba trabaje con más esfuerzo.

NOTA: Si se requieren más de diez acoples de succión, el tamaño del tubo debe aumentar.

- Cada nueva instalación debe someterse a pruebas de presión en conformidad con las normativas locales.

3.2.4 Modelos VSFHP con base ajustable

Para reemplazar una bomba existente por una de dimensiones diferentes, utilice las bases ajustables para alinear de manera correcta los puertos de succión y de descarga con las tuberías existentes. La base de VS FloPro y los espaciadores aumentan la altura total de la bomba y la altura del puerto lateral de succión de la bomba. Consulte la Figura 5 y la Tabla 2.

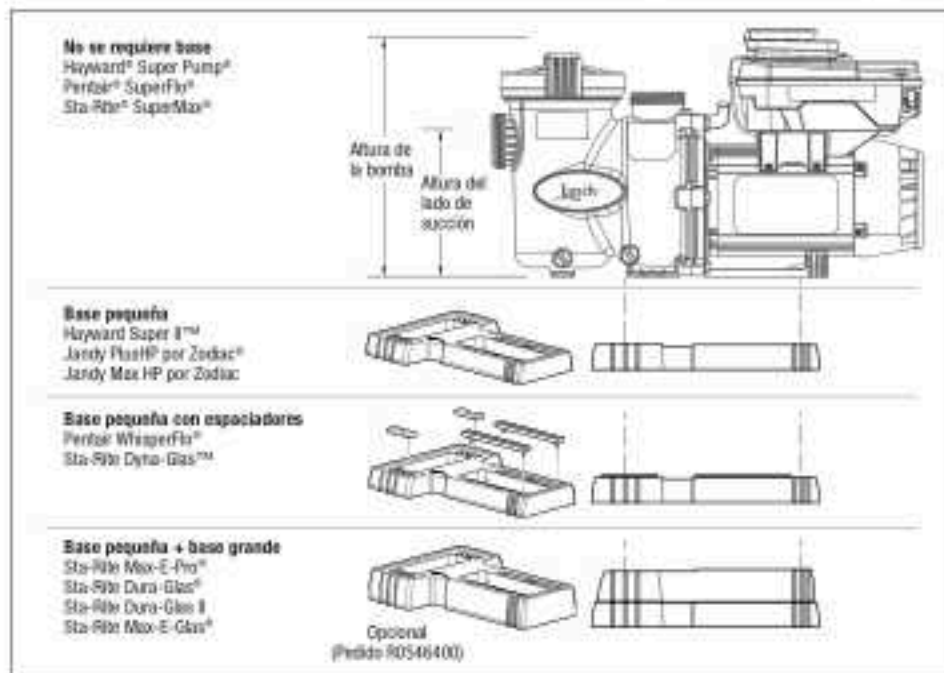


Figura 5. Configuraciones de la base (modelos VS FloPro únicamente)

TAMAÑO DE CABLE MÍNIMO y PROTECCIÓN DE SOBRECORRIENTE MÍNIMA*								
Distancia del subpanel		0-99 pies (15 m)		90-100 pies (15-30 m)		100-200 pies (30-60 m)		
Modelo de bomba	Disyuntor de retardo a fusible de la derivación (amperios) Clase: CC, G, H, J, K, RK o T		Voltaje		Voltaje		Voltaje	
	208-230 VCA	115VCA	208-230 VCA	115 VCA	208-230 VCA	115 VCA	208-230 VCA	115 VCA
VSPHP380V4(S) VSPHP380V4(S)	20 A	N/D	12 AWG	N/D	10 AWG	N/D	10 AWG	N/D
VSPHP1850V2A(S) VSPHP2700V2A(S) VSPHP2700V2A(S) VSSH-P2200V3A(S) VSSH-P2700V2A(S)	15 A	20 A	14 AWG (2,1 mm ²)	12 AWG (3,3 mm ²)	12 AWG (3,3 mm ²)	10 AWG (5,3 mm ²)	10 AWG (5,3 mm ²)	10 AWG (5,3 mm ²)

*Se supone la resistencia de los 3 conductores de cobre en un tubo aislador enterrado y una pérdida de voltaje máxima del 3% en el circuito de la derivación. Deben cumplirse todas las normativas locales y National Electrical Code® (NEC®). La tabla muestra el tamaño de cable mínimo y las recomendaciones sobre el fusible de derivación para una instalación correcta conforme al NEC.

Configuración de la base	Altura del lado de succión	Altura de la tapa de la canasta	Altura del controlador SpeedSet
1. Bomba sin base	7 3/4"	12 3/4"	14 1/8"
2. Bomba con base	8 7/8"	13 7/8"	15 1/8"
3. Bomba con base y espaciadores	9 1/8"	14 1/8"	15 1/2"
4. Bomba con base pequeña y grande	10 3/4"	15 3/4"	17 1/8"

Tabla 2. Dimensiones de la base ajustable (modelos VS FloPro™ únicamente)

1. Con una herramienta manual para cortar, corte las barras plásticas que conectan los conjuntos superior e inferior de espaciadores como se muestra en la Figura 6.
2. Empuje los dos espaciadores superiores y los dos espaciadores inferiores fuera de la base.
3. Alinee los pines de los cuatro espaciadores con los orificios de la base. Presione los espaciadores en su lugar (Figura 7).

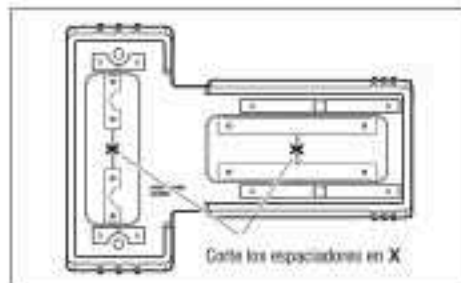


Figura 6. Corte los conjuntos de espaciadores de la base

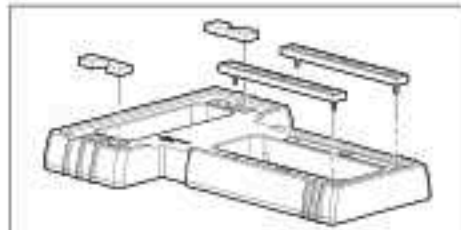


Figura 7. Presione los espaciadores hasta que queden en su lugar

3.3 Instalación eléctrica

3.3.1 Verificaciones de voltaje

El voltaje correcto, según se especifica en la placa con instrucciones técnicas de la bomba, es necesario para un desempeño adecuado y para que el motor tenga una vida útil prolongada. Un voltaje incorrecto reducirá la capacidad de la bomba de desempeñarse adecuadamente y podría provocar sobrecalentamiento, acortar la vida útil del motor y conllevar facturas de luz más elevadas.

El instalador eléctrico tiene la responsabilidad de proporcionar voltaje operativo a la bomba según la placa con instrucciones técnicas al asegurar el uso de los tamaños correctos de circuitos y cables para esta aplicación específica.

National Electrical Code® (NEC®, NFPA-70®) requiere que todos los circuitos de una piscina estén protegidos con un interruptor por falla a tierra (GFCI). Por lo tanto, también es responsabilidad del instalador eléctrico asegurar que el circuito de la bomba cumpla este requisito y todos los demás requisitos aplicables de National Electrical Code (NEC) y de cualquier otra normativa de instalación aplicable.

Todas las bombas de velocidad variable, independientemente de la marca o del modelo, suelen disponer los disyuntores GFCI (sin mayores consecuencias). Se recomiendan con énfasis los disyuntores GFCI Siemens® serie QFP o QF para minimizar o eliminar esta inconveniente y ofrecer una protección personal de 5 milisegundos con el cumplimiento de las normas NEC de 2008 o actuales para bombas de piscinas.

⚠ PRECAUCIÓN

Si no se proporciona el voltaje de la placa de datos (+/- 10 %) durante la operación, el motor se sobrecalentará y se podría anular la garantía.

3.3.2 Conexión equipotencial y conexión a tierra

Además de la conexión a tierra adecuada, según se describe en la Sección 3.3.3, Abieado eléctrico, y en conformidad con los requisitos de National Electrical Code (NEC) o, en Canadá, de Canadian Electrical Code (CEC), debe haber una conexión equipotencial entre el motor de la bomba y todas las piezas metálicas de la estructura de la piscina, del hidromasaje o del jacuzzi y todos los componentes y equipos eléctricos relacionados con el sistema de circulación de agua de la piscina/ del hidromasaje. La conexión equipotencial debe hacerse con un conductor de cobre macizo n.º 8 AWG o uno más grande. En Canadá, debe usarse n.º 6 AWG o uno más grande. Haga la conexión equipotencial del motor con la terminal de conexión equipotencial externa proporcionada en el bastidor del motor. Consulte la Figura 3.

National Electrical Code® (NEC®) requiere la conexión equipotencial del agua de la piscina. Cuando ninguno de los equipos, de las estructuras o de las piezas de la piscina con conexión equipotencial están en conexión directa con el agua de la piscina, el agua de la piscina debe estar en contacto directo con una superficie conductora aprobada resistente a la corrosión que exponga no menos de 5800 mm² (9 in²) del área superficial al agua de la piscina en todo momento. La superficie conductora debe estar ubicada donde no esté expuesta a daños físicos ni a su desalojamiento durante las actividades habituales en la piscina, y debe estar conectada equipotencialmente según los requisitos de conexión equipotencial de NEC Artículo 680. Consulte los códigos aplicados localmente para cualquier requisito adicional de conexión equipotencial.

⚠ ADVERTENCIA

Desconecte siempre la fuente de energía antes de trabajar en un motor o su carga conectada.

Asegúrese de que el interruptor de control, el relé o el sistema de control estén instalados en una ubicación accesible. Así, en caso de una falla del equipo o de un accipie suelto, el equipo podrá apagarse. Esta ubicación no debe estar en la misma zona de la bomba de la piscina, del filtro ni de otros equipos.

⚠ PRECAUCIÓN

La bomba debe estar conectada permanentemente a un circuito eléctrico exclusivo. No se puede conectar otro equipo, otras luces, otros dispositivos u otros enchufes al circuito de la bomba.

3.3.3 Abieado eléctrico

Los modelos de bomba Jandy que se abarcan en este manual de instalación y operación proporcionan compartimientos separados para los cableados de alto voltaje y de bajo voltaje.

El compartimiento de bajo voltaje incluye 2 aperturas:

- Puerto de conexión rápida RS-485 (consulte la Figura 8)

NOTA: Si no se utiliza el puerto de conexión rápida RS-485, se debe utilizar una abrazadera de 3/8" estanca a líquidos para aliviar la tensión y sellar herméticamente. Utilice la pieza -kit de Jandy número R0501100 o una alternativa equivalente.

- Puerto de conducto de 3/8" (roscado)

El compartimento de alto voltaje incluye 3 aperturas de puerto de conducto (consulte la Figura 9):

- 1/2" (roscado)
- 1/2" (sin rosca)
- 3/4" (sin rosca)

Los accesorios para conductos (no incluidos) son necesarios. El conducto debe ser hermético a los líquidos después de la instalación.

1. Conecte a tierra la bomba con el tornillo de tierra verde del bloque de terminales de alto voltaje. **NO** conecte a tierra ni conecte en serie el cable de tierra al tornillo de tierra verde secundario, ni conecte en serie al chasis de compartimento de cables (consulte las figuras 8 y 12). **No** conecte tampoco a tierra a la línea de suministro de gas.

2. El tamaño del cable debe ser adecuado para minimizar la caída de voltaje durante la puesta en marcha y la operación de la bomba.
3. Aísle todas las conexiones con cuidado para evitar la conexión a tierra o los cortocircuitos. Los bordes filosos en los terminales requieren una protección adicional. Por seguridad, y para evitar el ingreso de contaminantes, reinstale todas las cubiertas de la caja de distribución y de la caja de terminales. No fuerce las conexiones a la caja de distribución.

NOTA: Si se suministra únicamente energía a esta bomba, no funcionará. Requiere un comando digital enviado por un controlador de velocidad variable (SpeedSet, JEP-R o iQPUMP01) o un sistema de automatización, o el uso de los contactos sin energía (consulte las Figuras 6 y Figura 9 para las ilustraciones de cableado de RS485 para un controlador local o sistema de automatización. Consulte las Figuras 12 y Figura 13 para las ilustraciones del cableado de contactos sin energía).

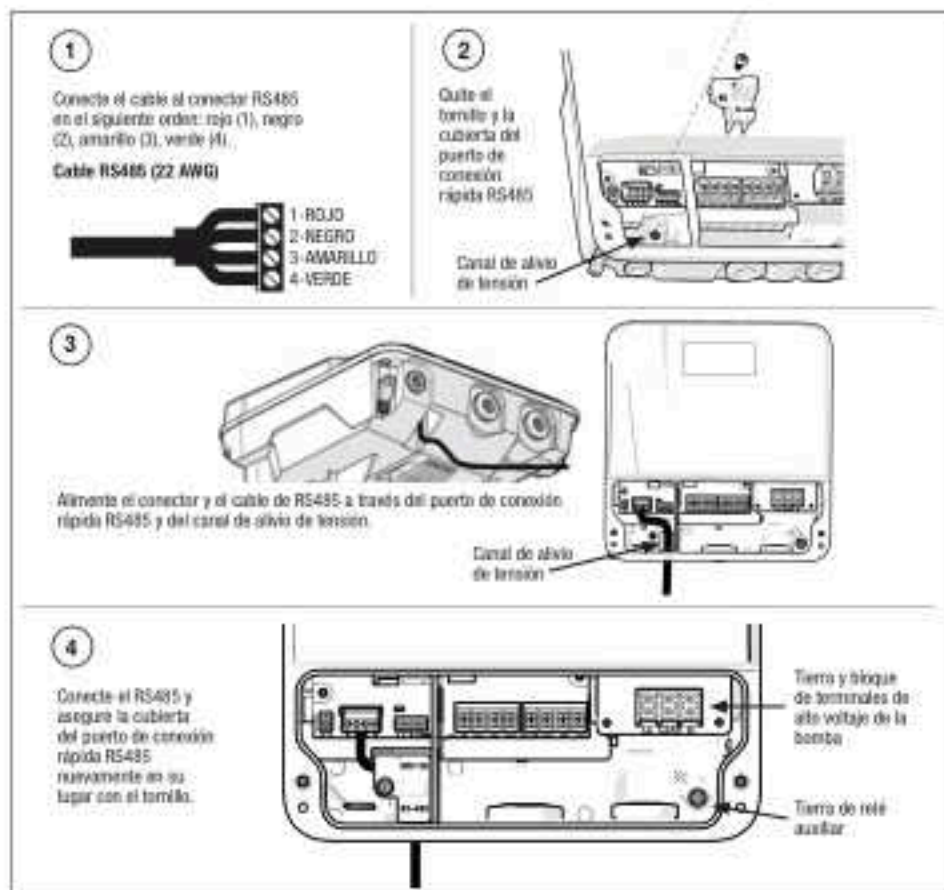


Figura 8. Puerto de conexión rápida RS-485 con cableado

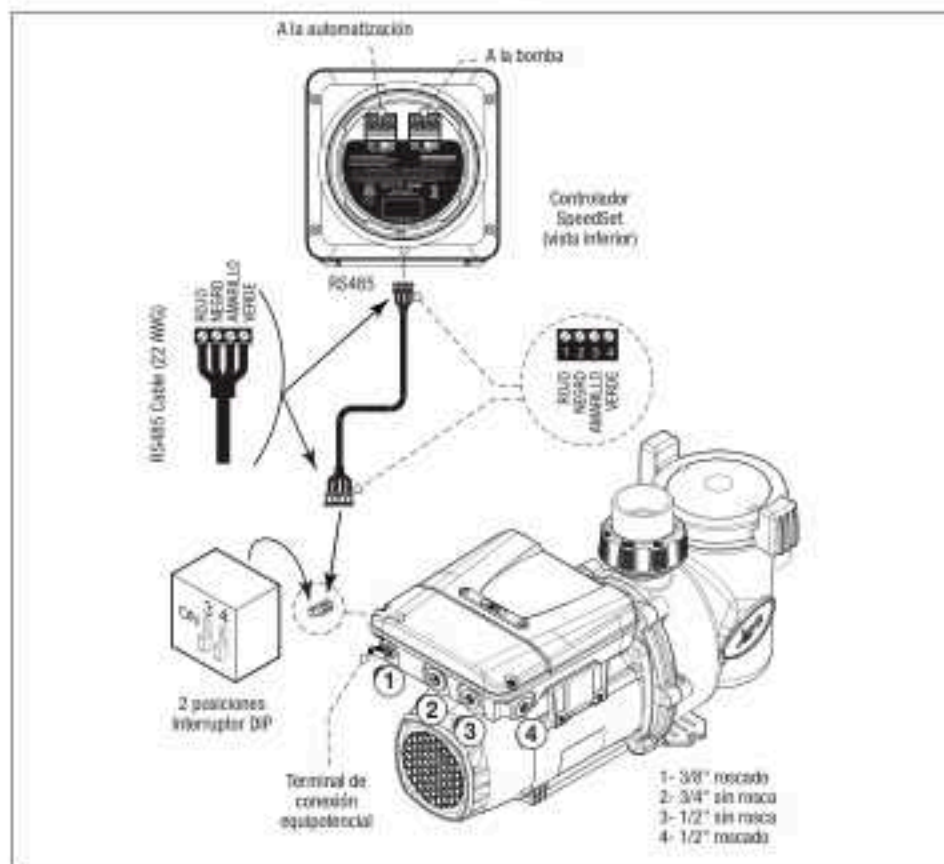


Figura 9. Cableado hasta un controlador

3.4 Configuración del controlador de la bomba/sistema de automatización

Las bombas de este manual son compatibles con los controladores Jandy locales y sistemas de automatización siguientes:

- Controlador SpeedSet (local)
- QPUMP01 (local)
- JEP-R (local)
- Todos los sistemas de automatización Jandy

Cada motor está equipado con un circuito de energía de detección automática que determina automáticamente si deben suministrarse 10v de energía al cableado RS485 para energizar una interfaz de controlador local o si debe suprimirse el suministro de 10v cuando está conectado con un sistema de automatización Jandy® al encender el motor por primera vez.

Este circuito de energía de detección automática elimina la necesidad de los interruptores DIP 1-2 presentes en otras bombas Jandy.

3.5 Configuración de los interruptores DIP

3.5.1 Configuración de los interruptores DIP con controlador local

Consulte la tabla siguiente para la configuración requerida para los interruptores DIP 3-4 cuando la bomba está conectada a un controlador local.

Controlador	Interruptor 3	Interruptor 4
JEP-R	Apagado	Apagado
QPUMP01	Apagado	Apagado
SpeedSet	La configuración de los interruptores DIP 3-4 es importante únicamente cuando se conecta un sistema de automatización Jandy que usa una conexión con cableado stransado de automatización SpeedSet en la parte inferior del controlador. Si corresponde, consulte las secciones siguientes.	

Tabla 3. Configuración del interruptor DIP del controlador local

3.5.2 Configuración de los interruptores DIP con automatización

Las reglas de configuración de los interruptores DIP 3-4 no son comunes entre todos los sistemas de automatización Jandy. Consulte las secciones siguientes para comprender la configuración requerida. Para los usuarios del sistema de automatización Jandy Aqualink® RS, una actualización a mitad de año en 2022 cambia el método en el que las bombas de este manual interactúan con los sistemas Jandy Aqualink RS. Consulte el manual de RS para obtener más información.

3.5.3 Firmware Rev. V y anteriores de Aqualink RS previos a 2022

Los sistemas Aqualink RS que usan el firmware Rev. V y anteriores, fabricados durante la primera mitad del año 2022, admiten hasta 4 bombas de velocidad variable. A cada bomba se le asigna una dirección de 1 a 4 con los interruptores DIP 3-4 de la bomba. Use la tabla debajo para obtener la configuración de asignación de direcciones de las bombas. Esta configuración se utiliza cuando se conecta a la conexión RS485 de la bomba o cuando se conecta a la bomba con una conexión de cableado atravesado de automatización del controlador SpeedSet en la parte inferior del controlador.

Dirección	Interruptor 3	Interruptor 4
Bomba 1	Apagado	Apagado
Bomba 2	Encendido	Apagado
Bomba 3	Apagado	Encendido
Bomba 4	Encendido	Encendido

Tabla 4. Configuración del interruptor DIP del controlador local

3.5.4 Firmware Rev. W y posteriores de Aqualink RS del año 2022

Los sistemas Aqualink RS que utilizan la Rev. W y posteriores, fabricados durante la segunda mitad del año 2022, admiten hasta 16 bombas de velocidad variable que utilizan una DIRECCIÓN DE SERIE preasignada. Los interruptores DIP 3-4 no se utilizan. A las bombas de este manual se les asigna una DIRECCIÓN DE SERIE única en fábrica. La etiqueta de DIRECCIÓN DE SERIE puede encontrarse en el motor de la bomba en la ubicación que se indica debajo.



Figura 10. Ubicación de la etiqueta de dirección de serie

Cuando se configuran bombas con este método, la dirección de la bomba para cada bomba aparecerá inicialmente en la sección de dirección de la bomba sin asignar de la aplicación de iAqualink u otro

dispositivo para la configuración de la automatización. Utilice la aplicación u otro dispositivo para completar la configuración de la bomba.

3.5.5 Aqualink TCX

Aqualink TCX admite una única bomba de velocidad variable. Los interruptores DIP 3-4 deben estar siempre en posición OFF (Apagado) cuando la bomba está conectada con un sistema de automatización TCX. Esto es así incluso cuando está conectada a un sistema TCX que utiliza el cableado atravesado de automatización en un controlador Jandy SpeedSet.

3.5.6 Todos los demás sistemas de automatización Jandy

Todos los demás sistemas de automatización Jandy admiten hasta 4 bombas de velocidad variable con interruptores DIP 3-4 de la manera que se define en la Sección 3.5.3, Firmware Rev. V y anteriores de Aqualink RS previos a 2022.

3.6 Operación del relé auxiliar

Los modelos de bomba de este manual están equipados con una barra de terminales que proporcionan al usuario acceso a dos relés auxiliares incorporados. Los relés normalmente abiertos se activan con determinadas condiciones operativas y están destinados a usarse para controlar dispositivos externos que requieren el flujo de agua del sistema para el funcionamiento correcto, por ejemplo, bombas de refuerzo, cloradores de agua salada, etc.

Consulte las Figuras 8, 12 y 13 para obtener los detalles de los compartimientos y la ubicación de los relés auxiliares, y las ilustraciones del cableado.

Requisitos de conexión de la carga auxiliar

⚠ ADVERTENCIA

PELIGRO DE DESCARGA ELÉCTRICA

Debido al posible riesgo de incendios, descargas eléctricas o lesiones personales, las bombas Jandy® y las cargas auxiliares deben instalarse en conformidad con National Electrical Code® (NEC®), todos los códigos locales de electricidad y de seguridad y la Ley de Seguridad y Salud Ocupacionales (Occupational Safety and Health Act, OSHA). Es posible pedir ejemplares del NEC a National Protection Association, 1 Batteryreach Park, Quincy, MA 02189, o a su organismo gubernamental de inspección local.

En Canadá, las bombas Jandy deben instalarse en conformidad con Canadian Electrical Code (CEC).

- Los contactos del relé de carga auxiliar tienen una clasificación nominal de 230 V/115 V, 11 A valor eficaz. Asegúrese de que los requisitos del equipo que se conectará a la carga auxiliar no superen esta clasificación nominal.

3.6.1 Operación del relé auxiliar

La activación del contacto del relé auxiliar depende de la velocidad. El relé auxiliar 1 tiene una velocidad de activación de 1725 RPM y el relé auxiliar 2 tiene una velocidad de activación de 2250 RPM.

El controlador Jandy SpeedSet ofrece la capacidad de reprogramar las velocidades de apertura/cierre del relé auxiliar para su personalización. La configuración de velocidad de apertura/cierre que se cambia con esta función son permanentes, aunque el controlador SpeedSet se desconecte.

Consulte la sección "Settings" (Configuración) del manual de instrucciones y operación del controlador Jandy SpeedSet para obtener más detalles.

3.6.2 Cierre del contacto

A partir de una posición parada, hay una demora de tres minutos hasta que se cierra el contacto de relé auxiliar cuando la velocidad del motor alcanza y mantiene la velocidad de activación.

Una vez que se ha alcanzado el criterio de tiempo de funcionamiento de tres minutos, cuando se pasa de una velocidad de RPM menor que la velocidad de activación a una velocidad de RPM mayor que la velocidad de activación, hay un retraso de 5 segundos antes de que el contacto del relé auxiliar se cierre.

3.6.3 Apertura del contacto

Cuando se pasa de una velocidad de RPM mayor que la velocidad de activación a una velocidad de RPM menor que la velocidad de activación, la apertura del relé es siempre inmediata.

Sección 4. Funcionamiento del contacto sin energía

Es posible utilizar relés o interruptores externos con los contactos sin energía si un controlador Jandy no está conectado a la línea RS-485. Mediante la creación de un circuito entre el contactos sin energía, el interruptor/relé externo y el común del contacto sin energía, cuando el circuito está cerrado la bomba se encenderá, se cebará a 2750 RPM durante 3 minutos y pasará a la velocidad predeterminada del contactos sin energía de manera indefinida hasta que el circuito sea abierto por el relé externo.

Si no hay entradas puenteadas a la común, los RPM son cero. Si se conecta cualquier controlador Jandy a través de RS-485, todos los comandos de contacto sin energía se pasarán por alto. Consulte la Figura 12 y Figura 13 para el cableado de los contactos sin energía. Consulte la Tabla 5 para la configuración de velocidad de contactos sin energía.

4.1 Ajustes de velocidad de los contactos sin energía

La configuración de velocidad de los contactos sin energía se ajustó con los números de serie de los motores que comienzan con la letra B.

1. Consulte la etiqueta de la placa de datos del motor para hallar el número de serie del motor (Figura 11).
2. Consulte la Tabla 5 para determinar las velocidades de los contactos sin energía para el motor.

Las velocidades de los contactos sin energía se basan en los números de serie de los motores.		
Contacto sin energía	N.º de serie comienza con "A"	N.º de serie comienza con "B" o posterior
1	3000 RPM	3450 RPM
2	1400 RPM	1375 RPM
3	2200 RPM	2600 RPM
4	1725 RPM	1750 RPM

Tabla 5. Ajustes de velocidad de los contactos sin energía



Figura 11. Etiqueta de la placa de datos del motor

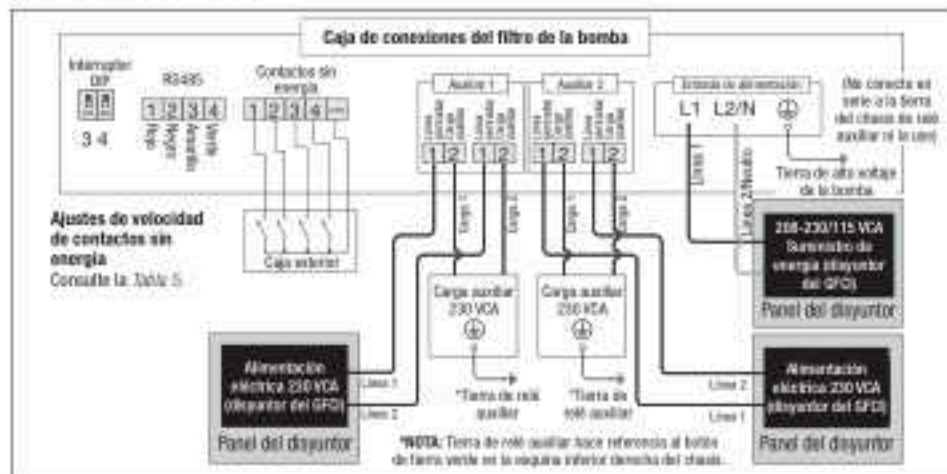


Figura 12. Diagrama de cableado de relé auxiliar de 208 230 V*

- Cierre la válvula para sellar el agua en el sistema.
- Observe que no haya fugas ni reducción de la presión en el sistema.
- Si hay fugas en la tapa, repita el procedimiento. Para el soporte técnico de Zodiac, llame al 1.800.822.7933.

⚠ PRECAUCIÓN

No abra la tapa de la bomba antes de las pruebas de presión, debido a que la junta tórica de prueba de presión azul puede caer fuera. Si esto sucede, deberá volver a colocarla en la tapa.



Figura 14. Junta tórica de prueba de presión azul



Figura 15. Vista ampliada con junta tórica de prueba de presión azul (modelos de bomba VSSHP únicamente)

4.2.1 Reemplace la junta tórica azul antes de la prueba de presión, si es necesario

- Asegúrese de que la bomba esté apagada.
- Asegúrese de que el interruptor del disyuntor que alimenta al motor de la bomba esté apagado.

⚠ ADVERTENCIA

PELIGRO DE DESCARGA ELÉCTRICA

Debido al posible riesgo de incendios, descargas eléctricas o lesiones, las bombas Jandy® deben instalarse en conformidad con National Electrical Code® (NEC®), todos los códigos eléctricos y de seguridad locales y la Ley de Seguridad y Salud Ocupacionales (Occupational Safety and Health Act, OSHA). Puede solicitar ejemplares de NEC a National Protection Association, 1 Batterymarch Park, Quincy, MA 02169, o a su organismo gubernamental de inspección local. En Canadá, las bombas Jandy deben instalarse en conformidad con Canadian Electrical Code (CEC).

PELIGRO DE DESCARGA ELÉCTRICA

Apague la bomba y el disyuntor principal del circuito eléctrico de la bomba antes de comenzar el procedimiento. Si no se cumple esta indicación, podría haber peligro de descarga eléctrica, lo cual puede provocar lesiones personales o la muerte.

- Verifique que todas las válvulas de aislamiento estén cerradas para evitar que el agua de la piscina llegue a la bomba.
- Siguiendo las marcas del anillo de bloqueo, gira el anillo en sentido contrario a las agujas del reloj para retirar la tapa.
- Quite con cuidado la tapa con el anillo de bloqueo.

Vista invertida de la parte interior de la tapa

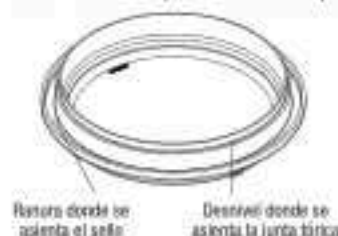


Figura 16. Colocación de la junta tórica de prueba de presión azul

4.2.2 Reemplace la junta tórica azul

- Invierta la tapa con el anillo de bloqueo.
- Coloque la junta tórica azul en el nivel ubicado a 1/8" desde la parte inferior de la tapa. Consulte la Figura 16.
- Asegúrese de que la junta tórica esté asentada correctamente.
- Instala la tapa en el cuerpo de la bomba.

5. Siguiendo las marcas del anillo de bloqueo, gire la tapa en el sentido de las agujas del reloj hasta que las marcas de la flecha PORT estén alineadas con los puertos de entrada y salida de la bomba. **NO apriete más allá de este punto.**

Sección 5. Operación

5.1 Puesta en funcionamiento

▲ PRECAUCIÓN

Nunca haga funcionar la bomba sin agua. Si se hace funcionar la bomba "en seco" durante la cantidad de tiempo que sea, pueden ocurrir daños graves en la bomba y en el motor y se podría anular la garantía.

Si se trata de una instalación de piscina nueva, asegúrese de que ninguna de las tuberías tenga residuos de construcción y de que todas las tuberías hayan sido sometidas correctamente a pruebas de presión. Debe verificarse que la instalación del filtro sea correcta y que todas las conexiones y abrazaderas estén fijas según las recomendaciones del fabricante.

▲ ADVERTENCIA

Para evitar el riesgo de daños materiales, lesiones personales o la muerte, verifique que toda la energía esté apagada antes de comenzar con estos pasos.

5.1.1 Bomba por debajo del nivel del agua

1. Asegúrese de que la tapa de la bomba esté fija. Para eso, verifique que los indicadores de "locked" (Bloqueado) estén alineados con los puertos de la bomba. Apriete solo con la mano, no use herramientas. Asegúrese de que las válvulas estén abiertas y que las uniones de la bomba estén ajustadas.
2. Abra cualquier válvula de aislamiento que pudiera haber entre la bomba y los drenajes y filtros superficiales principales de la piscina.
3. Abra la válvula de alivio de aire del filtro. Esto permitirá que el aire comience a escaparse del sistema y llenará la bomba con agua para el cebado.
4. Restaure la energía a la bomba e inicie la bomba.
5. Cuando comience a salir agua de la válvula de alivio de aire del filtro, cierre la válvula de alivio de aire.
6. Inspeccione el sistema en busca de fugas.

5.1.2 Bomba por arriba del nivel del agua

1. Abra la válvula de alivio de aire del filtro.
2. Extraiga la tapa de la bomba y llene la canasta de agua.

3. Antes de volver a colocar la tapa, verifique que no haya residuos alrededor del asiento de la junta tórica de la tapa. Los residuos alrededor del asiento de la junta tórica en la tapa pueden provocar una fuga de aire. Esto dificultará que la bomba se ceba.
4. Ajuste la tapa. Para eso, verifique que los indicadores de "locked" (Bloqueado) de la tapa estén alineados con los puertos de la bomba. Apriete solo con la mano, no use herramientas. Asegúrese de que todas las válvulas estén abiertas y de que las uniones de la bomba estén ajustadas.
5. Restaure la energía a la bomba e inicie la bomba.
6. Después de que la bomba se haya cebado y de que salga agua de la válvula de alivio de aire del filtro, cierre la válvula de alivio de aire e inspeccione el sistema en busca de fugas.

NOTA: Todas las bombas de este manual tienen el certificado NSF porque pueden purgarse a alturas de hasta 10 pies por arriba del nivel de agua de la piscina, a nivel del mar. Sin embargo, para lograr un mejor autocebado, instale la bomba lo más cerca posible del nivel de agua de la piscina.

Consulte Recomendaciones de instalación en la Sección 3.2.3, Recomendaciones de instalación para obtener la elevación y el tamaño de tubo correctos.

La velocidad de cebado predeterminada es de 2750 RPM. La bomba tardará aproximadamente 15 minutos en cebarse a esta velocidad de cebado si la bomba está ubicada a 10 pies por arriba del agua de la piscina. Si la velocidad de cebado se ajusta a 3450 RPM, la bomba debe cebarse antes de los 6 minutos a 10 pies por arriba del nivel del agua.

Si la bomba no se ceba y se siguieron todas las instrucciones hasta este punto, verifique que no haya fugas de succión. Si no hay fugas, repita los pasos 1 a 5.

Para obtener ayuda técnica, llame al soporte técnico de Zodiac al 1-800-822-7933.

Sección 6. Servicio y mantenimiento

▲ PRECAUCIÓN

Para evitar daños en los plásticos, no use lubricante ni sellador en la junta tórica. Solo debe usarse agua jabonosa para instalar y lubricar la junta tórica.

6.1 Limpie la canasta de la bomba

Los residuos acumulados en la canasta de filtro de la bomba comenzarán a bloquear el flujo de agua. La canasta del filtro de la bomba debe inspeccionarse y limpiarse semanalmente. Los factores ambientales pueden requerir inspecciones más frecuentes.

1. Inspeccione la canasta de la bomba para determinar que no haya residuos. Para ello, mire a través de la tapa transparente de la bomba. Esto puede llevarse a cabo con la bomba en funcionamiento o fuera de funcionamiento. Si se acumularon residuos, diríjase al paso 2.
2. Corte la energía de la bomba. Si la bomba está ubicada por debajo del nivel del agua, cierre las válvulas de aislamiento de los lados de succión y de descarga de la bomba para evitar el reflujos de agua.
3. Gire el anillo de bloqueo en sentido antihorario para retirar la tapa.
4. Levante la canasta y séquela de la bomba.
5. Limpie bien la canasta. Si fuera necesario, con una manguera de jardín, rocíe agua a la canasta desde afuera para ayudar a desobstruir los orificios. Elimine cualquier residuo.
6. Vuelva a colocar la canasta en la bomba. Para ello, alinee la apertura con el tubo de succión. Si se alinea correctamente, la canasta caerá fácilmente en su lugar. No la fuerce para que quede ajustada en su lugar.

⚠ PRECAUCIÓN

Si la canasta está mal alineada, la tapa se asentará incorrectamente, lo que producirá una fuga de aire, y esto puede provocar daños en la bomba.

7. Quite el sellado de la tapa y elimine los residuos que están alrededor de la superficie de apoyo del sello de la tapa, ya que esto puede permitir fugas de aire al sistema. Limpie el sello de la tapa y colóquelo en la tapa.
8. Vuelva a colocar la tapa y el anillo de bloqueo. Apriete la tapa a mano para que haya un sello hermético. No use ninguna herramienta para apretar la tapa: apriete solo a mano.
9. Verifique que todas las válvulas hayan regresado a la posición correcta para el funcionamiento normal.
10. Abra la válvula de seguridad del filtro y asegure que esté limpia y lista para la operación.
11. Encienda la energía a la bomba. Después de que todo el aire se haya evacuado del filtro, cierre la válvula de seguridad.

6.2 Quitar la tapa de la bomba

1. Asegúrese de que la bomba esté apagada.
2. Asegúrese de que el interruptor del disyuntor al motor esté apagado.
3. Asegúrese de que todas las válvulas de aislamiento estén cerradas para evitar que el agua fluya a la bomba.
4. Siguiendo las marcas del anillo de bloqueo, gire el anillo en sentido contrario a las agujas del reloj para retirar la tapa.
5. Quite con cuidado la tapa con el anillo de bloqueo.

⚠ ADVERTENCIA

PELIGRO DE DESCARGA ELÉCTRICA

Apague todos los interruptores y el disyuntor principal del circuito eléctrico de la bomba de velocidad variable antes de comenzar el procedimiento. Si no se cumple esta instrucción, podría haber peligro de descarga eléctrica, lo cual puede provocar lesiones personales o la muerte.

PELIGRO DE DESCARGA ELÉCTRICA

Debido al posible riesgo de incendios, descargas eléctricas o lesiones, las bombas Jandy® deben instalarse en conformidad con National Electrical Code® (NEC®), todos los códigos eléctricos y de seguridad locales y la Ley de Seguridad y Salud Ocupacionales (Occupational Safety and Health Act, OSHA). Puede solicitar ejemplares de NEC a National Protection Association, 1 Batterymarch Park, Quincy, MA 02169, o a su organismo gubernamental de inspección local. En Canadá, las bombas Jandy deben instalarse en conformidad con Canadian Electrical Code (CEC).

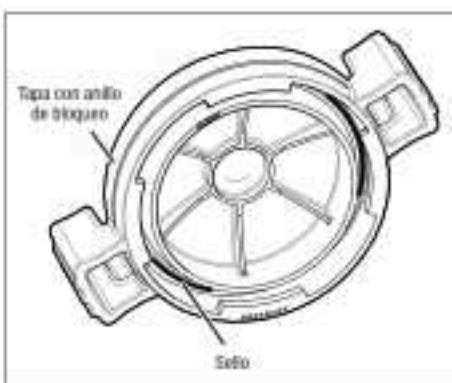


Figura 17. Junta tórica en el conjunto de la tapa



Figura 18. Quitar la tapa de la bomba

6.2.1 Orientación del sello de la tapa de la ePump y VS PlusHP

El sello de la tapa utilizado en las bombas ePump y VS PlusHP se debe instalar en la siguiente orientación; si este se retira o sustituye por mantenimiento debido a fugas o para su limpieza.

1. Retire el sello de la tapa. Consulte la Figura 18.
2. Limpie cualquier residuo que tenga el sello y, a continuación, limpie la ranura de la junta tórica en la tapa.
3. Inserte el sello en la ranura de la tapa con las dos (2) nervaduras mirando hacia adentro en la ranura de la tapa y la única (1) nervadura mirando hacia afuera en dirección a la bomba. Consulte la Figura 19 para ver un corte transversal.

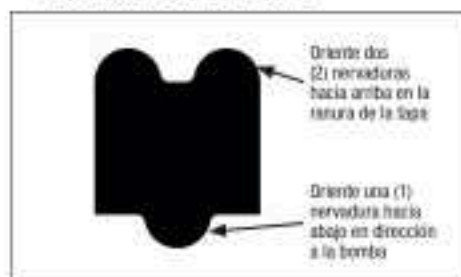


Figura 19. Sección transversal del sello de la tapa

6.3 Preparación de la bomba para el invierno

⚠ PRECAUCIÓN

La bomba **debe** protegerse cuando se esperen temperaturas por debajo del punto de congelamiento. Si se permite que la bomba se congele, se producirán daños graves y se podría anular la garantía.

No use soluciones anticongelantes en los sistemas de la piscina, del hidromasaje o del jacuzzi. El anticongelante es extremadamente tóxico y puede dañar el sistema de circulación. La única excepción es el propilenglicol. Para obtener más información, consulte en la tienda local de suministros para la piscina/el hidromasaje o comuníquese con una empresa cualificada de servicio de piscinas.

1. Drene toda el agua de la bomba, de los equipos del sistema y de las tuberías.
2. Quite los dos (2) tapones de vaciado. Guarde los tapones de vaciado en un lugar seguro y vuelva a instalarlos cuando finalice la estación de clima frío. **Asegúrese de no extraviar los tapones de drenaje ni las juntas tóricas.**
3. Mantenga cubierto y seco el motor. No cubra la bomba con plástico, porque esto creará condensación que dañará la bomba.

- NOTA:** Zodiac Pool Systems LLC recomienda que un técnico de servicio o electricista cualificado desconecte correctamente el cableado eléctrico en el interruptor o en la caja de conexiones. Después de cortar la energía, afloje los dos (2) uniones y guarde la bomba en una ubicación inferior. Por seguridad, y para evitar el ingreso de contaminantes, reinstale todas las cubiertas de la caja de distribución y de la caja de terminales.
4. Cuando vuelva a abrir el sistema para su operación, solicite a un técnico o electricista cualificado que asegure que todas las tuberías, las válvulas, los cableados y los equipos estén en conformidad con las recomendaciones del fabricante. Preste mucha atención al filtro y a las conexiones eléctricas.
 5. La bomba debe cebarse antes de ponerse en funcionamiento. Consulte la Sección 8.1, Puesta en funcionamiento.

Sección 7. Resolución de problemas y reparación

Zodiac Pool Systems LLC recomienda con énfasis que llame a un técnico de servicio cualificado para llevar a cabo cualquier reparación en el sistema del filtro/ de la bomba. Para encontrar a un técnico cualificado, consulte las páginas amarillas locales o visite ZodiacPoolSystems.com o ZodiacPoolSystems.ca y haga clic en "Find a Dealer" (Encontrar un distribuidor).

Síntoma	Causa posible/solución
El motor no enciende o el controlador se detecta el motor	No llega electricidad al motor. Haga que un profesional certificado controle el voltaje del terminal de energía principal con el disyuntor encendido. El voltaje debe estar dentro del 10 % del voltaje de la placa de datos del motor. Ocurrió un error en el motor. Reinicie el sistema del motor. Si ocurrió un error en el motor, aparecerá un código de falla en el controlador. Para eliminar el error, apague el disyuntor principal que está conectado al motor. Espera por lo menos 5 minutos antes de encender de nuevo el motor. Se debe drenar por completo el voltaje de los condensadores para reiniciar el sistema de manera adecuada.
	Cableado de bajo voltaje incorrecto. La conexión RS-485 debe estar asegurada sin cables rotos. Inspeccione el cableado de bajo voltaje para ver si hay signos de corrosión. De ser necesario, corte los cables y pégue conductores nuevos. Asegure que no haya pedruzcos de cable rotos dentro del conector RS-485.
	Cableado de bajo voltaje roto. El cable puede estar roto entre el motor y el controlador. Con teste desconectado, tome un multímetro y ajústelo a ohmios/continuidad. Controle la continuidad de cada línea de bajo voltaje desde el lado del motor hasta el lado del controlador. De ser necesario, reemplaza los cables RS-485 por completo.
	Cableado de bajo voltaje incorrecto. Controle los cables del conector RS-485. Los colores de los cables para los pines 1-4 deben ser rojo, negro, amarillo y verde.
	Pruebe el impulsor con el método de puente RS-485. Utilizando secciones pequeñas de cable de 22 AWG, puente los pines 1-3 y 2-4. Estos cables se pueden hacer barbiendo una sección de los cables RS-485. Instale nuevamente el conector y coloque la cubierta de acceso. Sumínistre energía al motor. El motor debe girar a 2600 RPM por tiempo indefinido. Si el motor funciona, hay un problema con la línea RS-485 o con el controlador. Comuníquese con el soporte técnico de Zodiac llamando al 1.800.822.7933.
	Interruptores DIP con la configuración incorrecta. El impulsor de velocidad variable tiene dos interruptores DIP, 3 y 4. Los dos deben estar en la posición OFF (apagado) para la Bomba 01. Esta es la configuración para todos los controladores que no son automático y para la primera bomba automática. Si se controla más de una bomba de velocidad variable con un sistema de automatización, las bombas deben estar configuradas de manera adecuada. Consulte la sección de interruptores DIP del manual para configurar los otros motores.
	Controlo el programa. El motor solo se enciende durante los tiempos programados ajustados con el controlador. Verifique que el motor está programado para encenderse en ese momento.
	El sistema tiene problemas para encender el motor o continúa mostrando fallas, comuníquese con el servicio técnico de Zodiac llamando al 1.800.822.7933.
El motor no enciende o enciende y se apaga poco después.	Pueden haber desechos atascados entre el impulsor y el difusor. Esto no permite que el eje conductor gire y provoca un error en el motor. Haga que un profesional certificado lo controle para ver si el eje conductor se ataca si se apaga todo. Una prueba rápida puede ser insertar una llave Allen 5/16" en la parte trasera de la carcasa del ventilador para acceder al eje conductor. Gire manualmente el eje conductor para ver si está atorado. Si encuentra una gran cantidad de desechos, controle que se haya roturas en la carcasa. De ser necesario, reemplaza la carcasa.
	El sistema tiene problemas para encender el motor, comuníquese con el soporte técnico de Zodiac al 1.800.822.7933.
El motor se calienta y se apaga periódicamente	Verifique que haya espacio suficiente alrededor del motor para hacer circular aire y mantener el motor fresco. Indique a un electricista cualificado que verifique que no haya conexiones eléctricas sueltas y que verifique el voltaje en el motor mientras está en funcionamiento. Si el voltaje principal está desviado en un 10 % en relación con la placa de datos del motor, el motor se puede estar sobrecargando. Comuníquese con su proveedor de energía de superficie local.
No hay alimentación eléctrica hacia el controlador.	Esto es exclusivo para cualquier controlador que no tenga un sistema de automatización. El motor tiene la capacidad de alimentar los controladores a través de la línea RS-485. Haga que un electricista certificado controle el voltaje de la línea RS-485 mientras el motor recibe suministro eléctrico. El voltaje debe estar entre 6 y 12 voltios CC entre los pines 1 y 4. Si el voltaje es menor al deseado o no hay voltaje, comuníquese con el servicio técnico de Zodiac llamando al 1.800.822.7933.
	Cableado de bajo voltaje incorrecto. Controle los cables del conector RS-485. Los colores de los cables para los pines 1-4 deben ser rojo, negro, amarillo y verde.
Los relés auxiliares no funcionan.	Asegúrese de que el motor esté girando al menos a 1725 RPM para los equipos conectados con Aux. 1 y a 2250 RPM para los equipos conectados con Aux. 2. Al encender la bomba por primera vez, hay una demora de 5 minutos antes de que se cierre cualquier contacto. Espere 5 segundos a que los contactos se cierren cuando se alcanza la velocidad mínima de contacto.

Sistema	Causa probable/solución
	El problema puede estar en el equipo conectado al cable. Consulte el manual del propietario del equipo para asegurar que el equipo auxiliar no haya fallado.
	Si los cables siguen desconectados, comuníquese con el soporte técnico de Zodiac llamando al 1.800.822.7931.
No hay comunicación con la automatización	La automatización Jandy ha perdido comunicación con la bomba. Desconecte la corriente del sistema de automatización y de la bomba. Espere cinco (5) minutos y vuelva a conectar la corriente al sistema de automatización FIRST, espere un (1) minuto y vuelva a conectar la corriente a la bomba.
Los contactos sin energía no funcionan.	Pruebe el impulsor con el método de puenteo RS-485. Utilizando secciones pequeñas de cable de 22 AWG, puente los pines 1-3 y 2-4. Estos cables se pueden hacer cortando una sección de los cables RS-485. Instale nuevamente el conector y coloque la cubierta de acceso. Sumínistrese energía al motor. El motor debe girar a 2600 RPM por tiempo indefinido. Si el motor funciona, hay un problema con los contactos sin energía y con los líneas de los contactos sin energía. Comuníquese con el soporte técnico de Zodiac llamando al 1.800.822.7931.
	Cableado de bajo voltaje roto: El cable puede estar roto entre el motor y los interruptores externos. Con todo desconectado, tome un multímetro y ajústelo a ohmios/corriente. Controle la continuidad de cada línea de bajo voltaje desde el lado del motor hasta el lado del controlador. De ser necesario, reemplazar por completo los cables de los contactos sin energía.

7.1 Mantenimiento del técnico de servicio

PRECAUCIÓN

Solo un técnico de servicio profesional cualificado en instalación de piscinas/hidromasajes debe llevar a cabo el servicio en esta bomba. Los procedimientos siguientes deben seguirse con exactitud. La instalación o la operación incorrectas pueden crear peligros eléctricos importantes, que pueden provocar que pesen voltajes altos por el sistema eléctrico. Esto puede provocar daños materiales, lesiones graves y la muerte. Una instalación u operación incorrectas pueden anular la garantía.

ADVERTENCIA

Antes de llevar a cabo el servicio de la bomba, apague los disyuntores en la fuente de energía. Pueden producirse lesiones graves o la muerte si la bomba se inicia cuando su mano está dentro de la bomba.

7.1.1 Impulsor bloqueado

1. Apague la bomba. Apague el disyuntor del motor de la bomba.
2. Quite la tapa y la canasta.
3. Busque residuos dentro de la bomba y elimínelos.
4. Vuelva a colocar la canasta y la tapa.
5. Encienda el disyuntor del motor de la bomba.
6. Encienda la bomba y vea si se resolvió el problema.
7. Si el impulsor continúa bloqueado con residuos y no es posible eliminarlos con los pasos 2 a 4, es necesario desarmar la bomba para acceder a la entrada y a la salida del impulsor.

Sección 8. Especificaciones del producto y datos técnicos

La vista ampliada es solo para referencia general. Los modelos específicos pueden diferir. Consulte la información de contacto precedente para obtener información sobre los repuestos de modelos específicos de bomba. Para obtener una lista completa de los repuestos, visite el sitio web www.Jandy.com o comuníquese con el soporte técnico de Zodiac al 1.800.822.7853 o por correo electrónico a productsupport@fluidra.com. En Canadá, llame al 1.888.647.4004 o escriba a customer.service@fluidra.com.

8.1 Vistas ampliadas

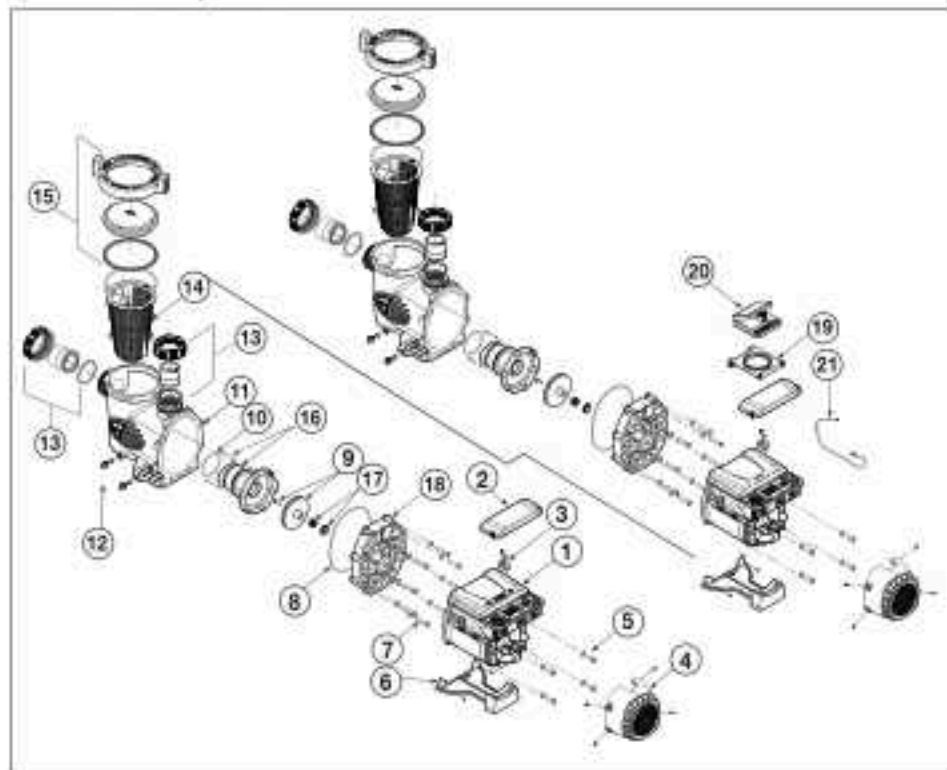
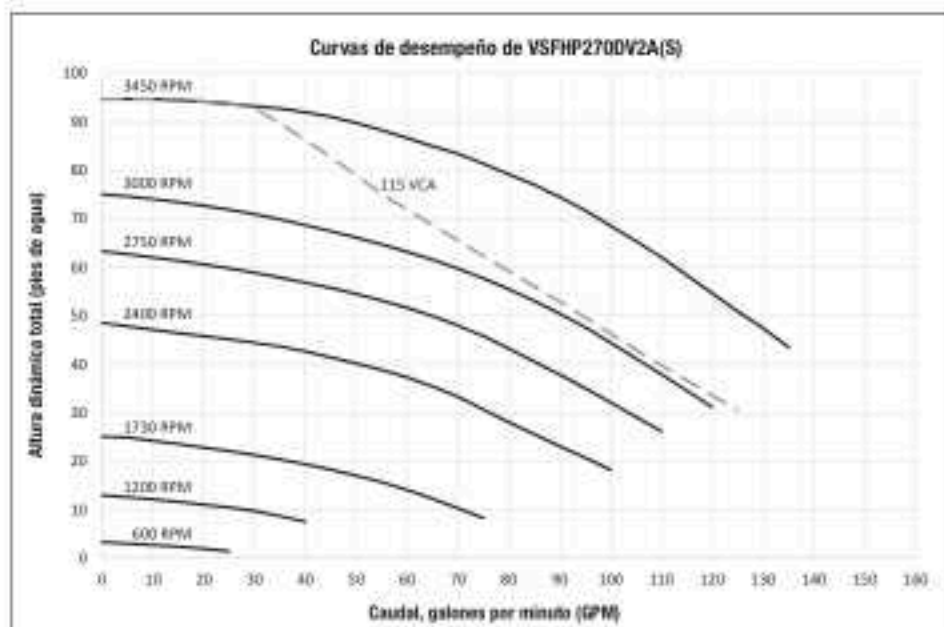
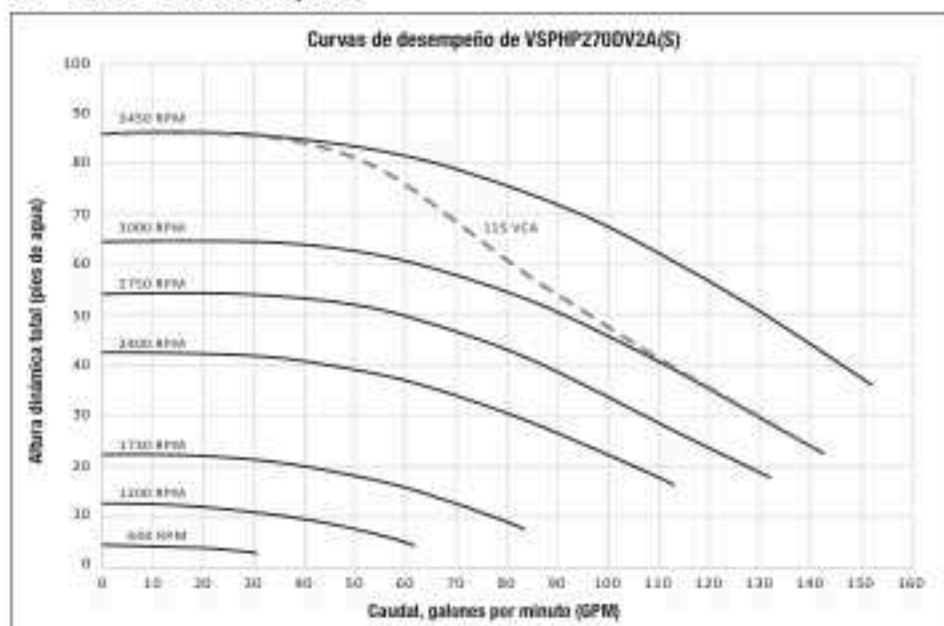


Figura 20. Vista ampliada de la bomba de velocidad variable Jandy (los modelos específicos pueden diferir de la ilustración)

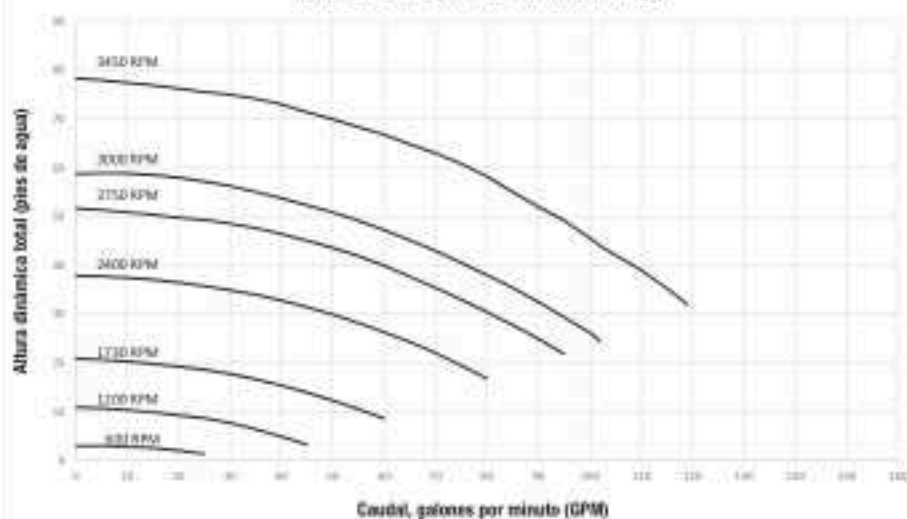
Elemento	Descripción
1	Motor impulsor
2	Cubierta de acceso
3	Junta tórica de la cubierta de acceso
4	Cubierta del ventilador
5	Pernos/anillos de montaje del motor
6	Pie de montaje del motor
7	Pernos/anillos de montaje de la placa de apoyo
8	Junta tórica de la placa de apoyo
9	Impulsor y tornillo de montaje
10	Junta tórica del difusor
11	Cuerpo de la bomba

Elemento	Descripción
12	Tapones de drenaje con junta tórica
13	Junta tórica de la placa posterior y cuerpo de la unión
14	Canalizo del filtro de residuos de la bomba
15	Conjunto de la tapa
16	Difusor y tornillos de montaje
17	Sello mecánico
18	Placa de apoyo
19	Montaje en bisagra del controlador SpeedSet
20	Controlador de la bomba SpeedSet V5
21	Cableado RS-485 para el controlador SpeedSet

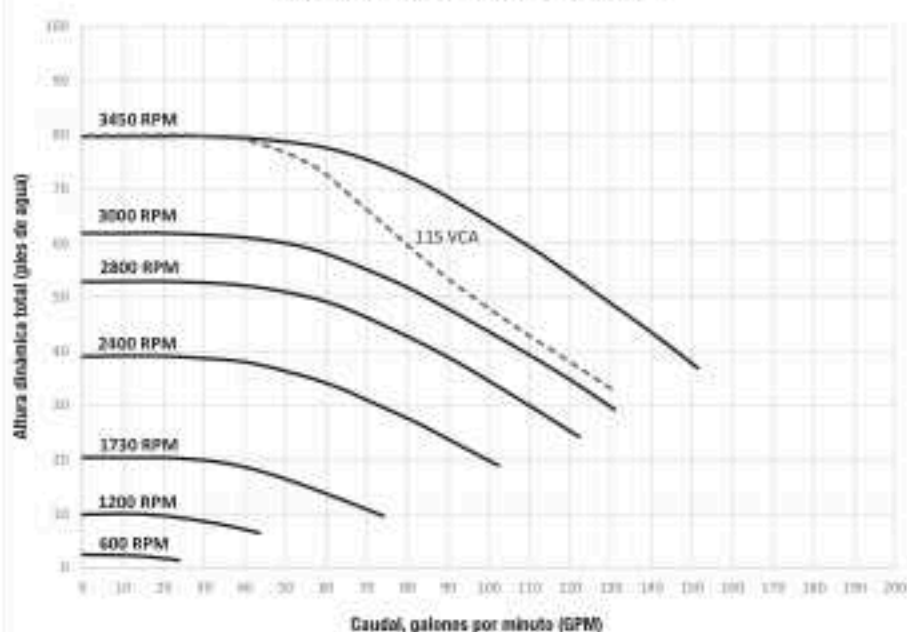
8.2 Curvas de desempeño



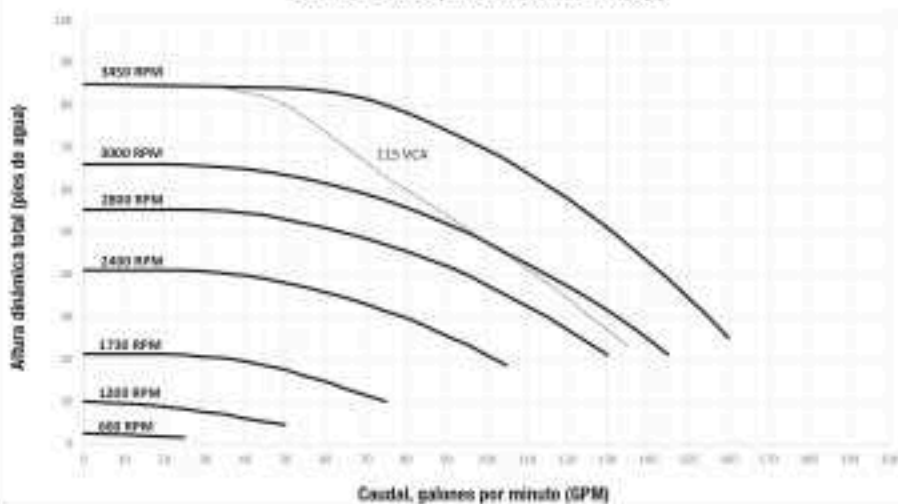
Curvas de desempeño de VSFHP1850V2A(S)



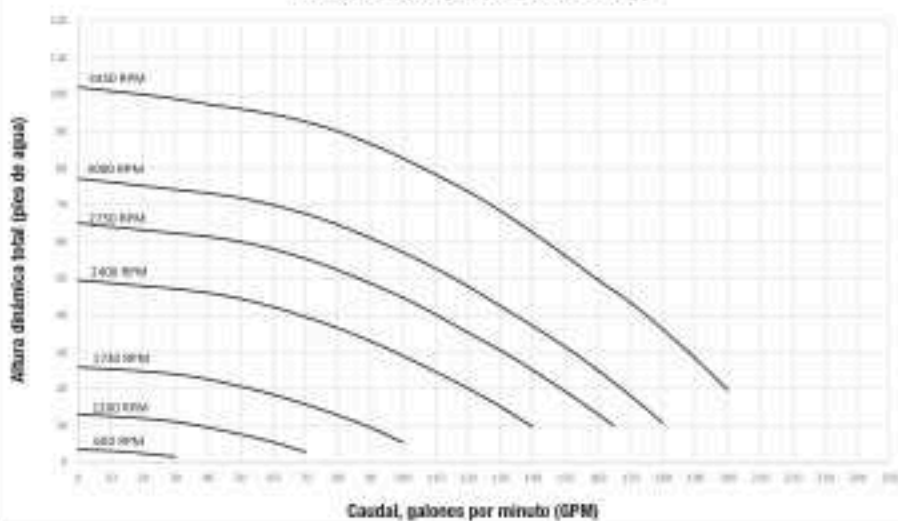
Curvas de desempeño de VSSHP2200V2A(S)



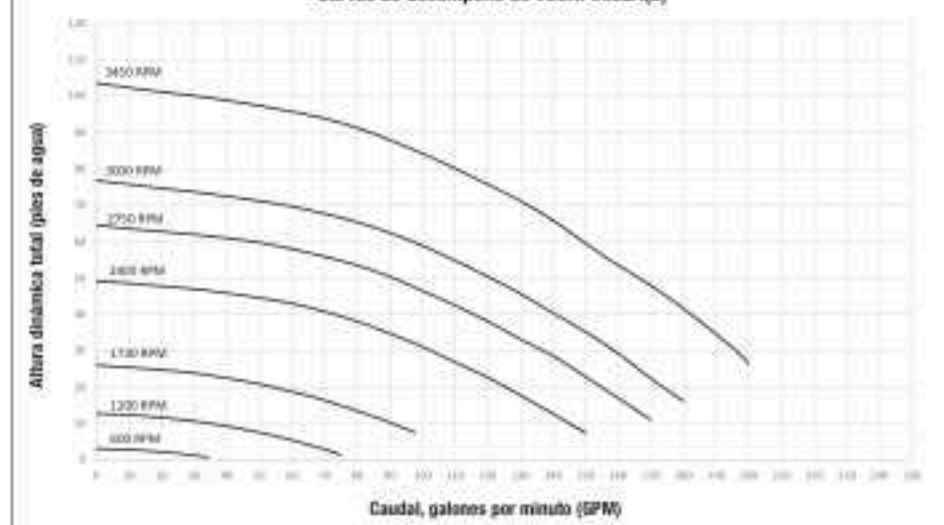
Curvas de desempeño de VSSHP2700V2A(S)



Curvas de desempeño de VSFHP3802A(S)



Curvas de desempeño de VSSHP3802A(S)



A Fluidra Brand | Jandy.com | Jandy.ca
2882 Whiptail Loop # 100, Carlsbad, CA 92010, USA | 1.800.822.7933
2-3385 Mainway, Burlington, ON L7M 1A6, Canada | 1.800.822.7933

©2024 Jandy Pool Systems LLC. All rights reserved.
Some life safety and/or compliance not provided for our copper line products.

H0707400_REVF



ETL LISTED CONFORMS TO UL STD 609
CERTIFIED TO CSA STD 622-609 FOR