



## About Us

MaestroShield® is an innovative design, engineering, manufacturing, and supply company. MaestroShield is the most rapidly growing supplier of exterior screen and shade, interior shade, hurricane shutters and security rolling shutters, electronics, and tubular motors.

**Founded on the hallmarks of: Quality, Price, and Delivery, MaestroShield instills these fundamental principles in everything we do.** Our efforts to design, engineer, manufacture, and supply the best motorized hurricane and security protection shutters, solar and insect screens, and interior shading products and accessories include: rigorously testing our products and receiving certifications by industry leading authorities, and standing by one of the most comprehensive warranty programs in the industry.

Our commitment to engineering excellence and production is surpassed only by our commitment to 100% customer satisfaction.

We sell through local dealers, please contact your dealer today. Local dealers can be found at [maestroscreens.com](http://maestroscreens.com)



# Style Protection & Shading



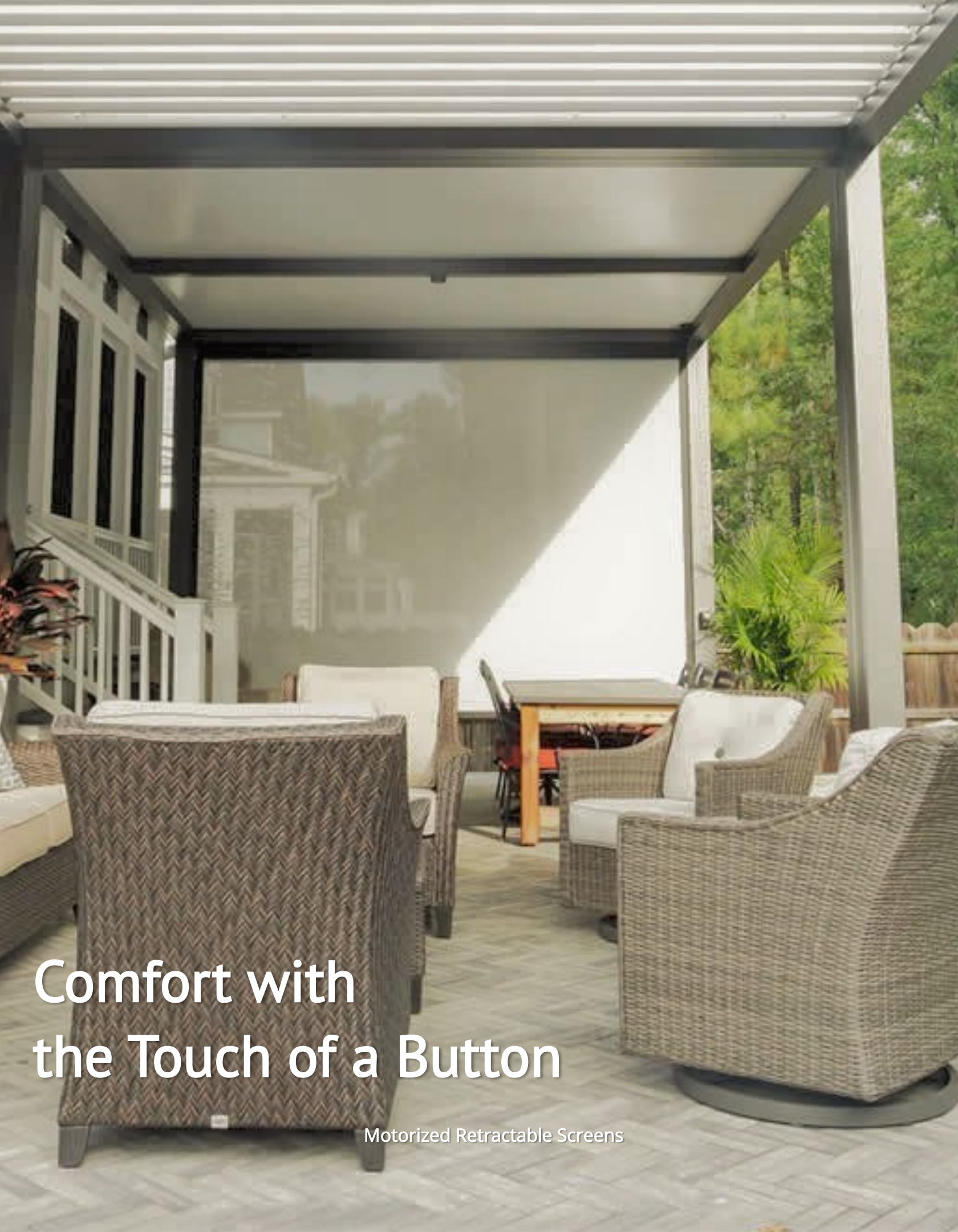
## Quality

Quality assurance is the hallmark of our manufacturing philosophy. Our tubular motors are UL, TUV & CE certified and have a top reliability rating.

Our electronics are FCC approved and we have our own Quality Management System written according to ISO 9001 standards.

Our adoption of international standards ensures that the products we produce will perform safely as designed while at the same time produce and deliver a very high level of customer satisfaction.





# Comfort with the Touch of a Button

Motorized Retractable Screens

# Motorized Retractable Screens

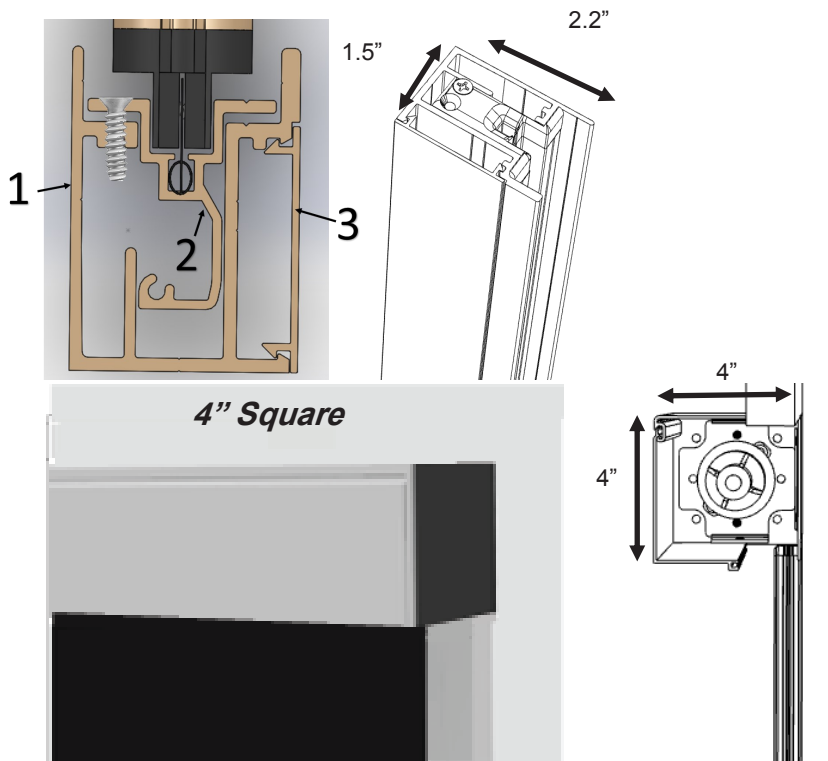
MaestroShield® offers motorized retractable screens for many outdoor openings , including Pergolas! Our motorized retractable screens block out harmful UV rays and stop pesky bugs from getting in and ruining your outdoor experience. All motorized retractable screens are operated with a wireless remote, making your outdoor experience as laid back and stress free as possible. MaestroShield's retractable screens are highly customizable with several fabrics, motors, mounting styles, and hoods to choose from. Improve the look and feel of your Pergola with MaestroShield's motorized retractable screens!



## Motor Options

At MaestroShield, we pride ourselves over our Swedish-American made motors. We offer an AC Motor option for Pergolas that have a power source, or a DC option that has a rechargeable lithium ion battery that does not require wiring. The DC Motor can also be charged using our solar panel add-on!

- ◇ AC (Hardwired) Motor
- ◇ DC (Rechargeable Battery) Motor
  - ⇒ Solar Panel optional with DC Motor



## Hoods and Mounting

Our motorized retractable screens use our 4" Square Hood that can be either surface or trapped mounted. An open bracket system is also available; a hood design where there is no cover over the rolled-up screen. Paired with the 4" Square Hood is an adjustable track system. The adjustable track system allows users to either tighten or loosen the screen along the opening to prevent sagging or ripples in the fabric. Motorized retractable screens can span up to 17.5ft wide and 10ft tall.

- ◇ 4" Square Hood
- ◇ Trapped Mount or Surface Mount
- ◇ Adjustable Track System
- ◇ Lengths up to 17.5ft Wide and 9ft Tall
- ◇ Open Bracket Option



# Quick Zip Screen System

Spring-Loaded Operation

# Quick Zip Screen System

MaestroShield® offers a Quick Zip System for those who want a simple system with no wiring required. The Quick Zip has an easy-to-use spring-loaded system that is operated by simply pulling down to lock the screen in place! To release the screen, give the screen a quick tug and watch it zip back into the hood. The unit is easy to install and has a compact 3" Hood option. The perfect option for Pergolas that need as much room as possible or do not have a power source. Several fabrics, mounting styles, and hoods to choose from! Upgrade the look and feel of your Pergola with MaestroShield's Quick Zip Screen System.



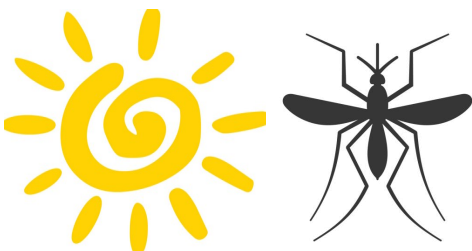
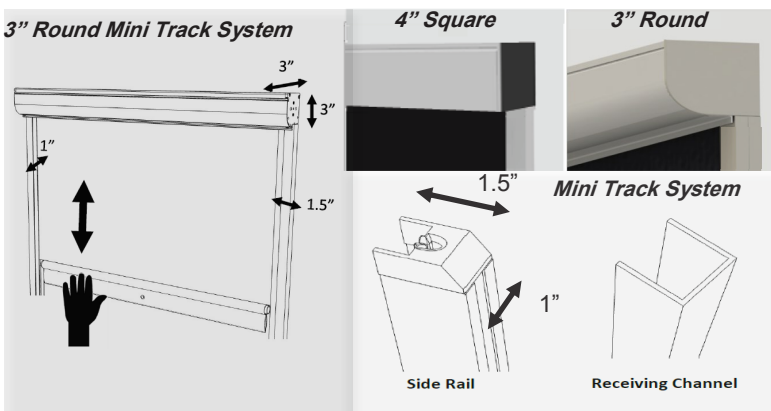
## Operation

The Quick Zip uses a spring-loaded system that is operated by simply pulling down the screen to lock it in place. To retract the screen, give it a quick tug and the locking system will allow the screen to zip back into the hood.

## Hoods and Mounting

MaestroShield offers a variety of mounting and hood options for the Quick Zip Screen System. Choose between a 4" Square Hood or 3" Round Hood for your screen to retract into. The 4" Square Hood allows for a trapped mount or surface mount installation, while a 3" Round Hood is a trapped mount only.

- ◇ 4" Square Hood
- ◇ 3" Round Hood
- ◇ Trapped Mount (4", 3") or Surface Mount (4" Only)
- ◇ Mini Track System
- ◇ Lengths up to 10.5ft Wide and 9ft Tall



## Fabrics

All of our high-quality fabrics are available for the 4" Square Hood option, excluding vinyl. The 3" Round Hood option is compatible with our Tuff Screen and No See Um fabrics. All of MaestroShield's fabrics are designed for outdoor use and hold their own against extreme weather conditions!

