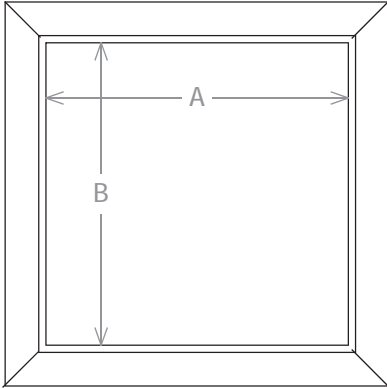


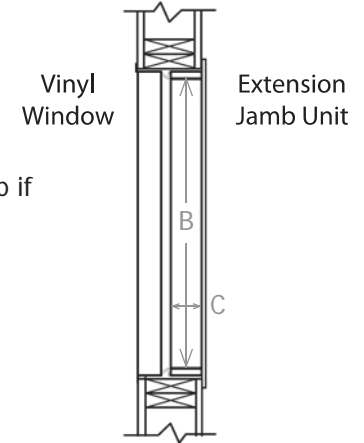
Dealer Name: \_\_\_\_\_ Date: \_\_\_\_\_  
 Dealer Location: \_\_\_\_\_ Dealer Code: \_\_\_\_\_ P.O #: \_\_\_\_\_  
 Dealer Contact: \_\_\_\_\_ Job Name: \_\_\_\_\_



**Measuring extension jamb units:**

- A. Width - Inside of finished opening
- B. Height - Inside of finished opening
- C. Jamb Depth - Exact measurement from face of window to sheetrock. Deduct 1/8" for weatherstrip if specified.

Chamfered edge may also be specified to ease inserting the jamb into the window receiver.



Quantity	Width (A)	Height (B)	Jamb Specie	Jamb Pre-Finish	Jamb Depth (C)	Wheatherstrip Color or "None"	Chamfer Edge	Casing Pre-Finish	Casing Profile
							<input type="checkbox"/> Yes <input type="checkbox"/> No		
							<input type="checkbox"/> Yes <input type="checkbox"/> No		
							<input type="checkbox"/> Yes <input type="checkbox"/> No		
							<input type="checkbox"/> Yes <input type="checkbox"/> No		
							<input type="checkbox"/> Yes <input type="checkbox"/> No		
							<input type="checkbox"/> Yes <input type="checkbox"/> No		
							<input type="checkbox"/> Yes <input type="checkbox"/> No		
							<input type="checkbox"/> Yes <input type="checkbox"/> No		
							<input type="checkbox"/> Yes <input type="checkbox"/> No		
							<input type="checkbox"/> Yes <input type="checkbox"/> No		
							<input type="checkbox"/> Yes <input type="checkbox"/> No		

REV12062012