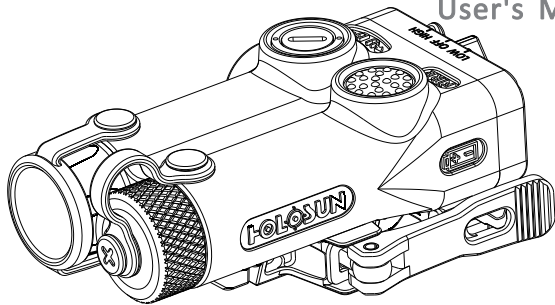


LE117-GR/RD/IR LOW Single Laser Sight User's Manual



LE117-RD LOW: Red Laser
LE117-GR LOW: Green Laser
LE117-IR LOW: IR Laser



LASER RADIATION
DO NOT STARE INTO BEAM

www.holosun.com

1. GENERAL INFORMATION

1.1 SYSTEM DESCRIPTION

The LE117-GR/RD/IR LOW is a Class II/IIIa laser device for civil use that features a Visible Laser Pointer for daylight (LE117-GR/RD LOW) or Invisible Laser Pointer for night (LE117-IR LOW). The LE117-GR/RD/IR LOW emits the highly collimated laser for precise aiming and can be weapon mounted via the Quick Release Mount.

1.2 COMPONENT DESCRIPTION

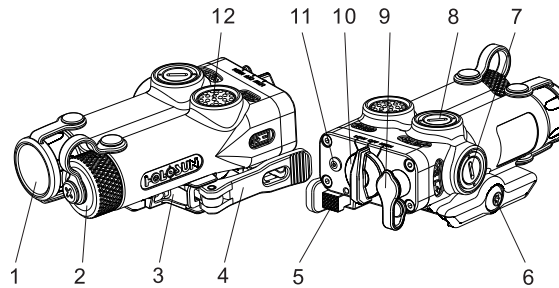


Fig 1

1

2

1	Lens Cover	6	Bolt	11	IR Pointer Indicator
2	Magnetic Steel	7	Windage Adjuster	12	Fire Switch
3	Slider	8	Elevation Adjuster		
4	QR Lever	9	Cable Switch		
5	Handle Lock	10	Mode Selector		

1.3 PACKING

The package should contain the following items:

- o LE117-GR/RD/IR LOW Lasers Sight
- o 1*CR123A Battery
- o User manual
- o tool

2. FEATURES

- The green laser is direct green laser that is more energy-saving, brighter, more stable than DPSS laser.
- The LE117-GR/RD/IR LOW features the low-battery indicator and IR Pointer indicator.
- Quick Release Mount and additional Pica-tinny rail.
- Waterproofed Remote cable switch.

3. SPECIFICATIONS

Parameter	LE117-GR LOW	LE117-RD LOW	LE117-IR LOW			
Wavelength(nm)	520	635	830			
Output Power(mW)	Lo	Hi	Lo	Hi	Lo	Hi
	<1	<5	<1	<5	0.3	<0.7
FDA Class	II	IIIa	II	IIIa	II	II
Divergence(mrad)	0.6					
Adjustment range	±60MOA					
Battery	CR123A×1					
Operating Temperature	-40℃~51℃					
Storage Temperature	-40℃~65℃					
Water Proof	Ip67					
Color housing	Desert Sand/ Matte Black					
Length:mm	86					
Width × height:mm	49×33					
Weight: (g)	190					

4. OPERATING INSTRUCTIONS

4.1 SAFETY SUMMARY

WARNING - LASER RADIATION



3

- o DO NOT stare into the laser beams.
- o DO NOT look into the laser beam through binoculars or telescopes.
- o DO NOT point the laser beam at mirror-like surfaces.
- o DO NOT shine the laser beam into other body's eyes.

SAFETY ALERTS

WARNING

- o DO NOT store this device with battery installed.
- o Ensure the Mode Selector is OFF before checking the Lens.

CAUTION

- o Identifies risk of damage to the equipment.
- o All the directions are given from the shooter's viewpoint.
- o DO NOT over-adjust the W&E adjuster by forcing them beyond their end of travel.

4.2 BATTERY INSTRUCTIONS

BATTERY INSTALLATION:

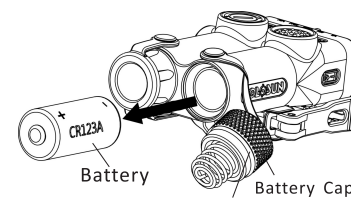


Fig 2

4

- 1) Unscrew the battery cap in a CCW direction. Remove and properly discard the used battery.
 - 2) Inspect the battery compartment for dirt, moisture and corrosion, and then clean the battery compartment if needed.
 - 3) Inspect the O-ring seal on the battery cap to make sure that it is free of sand and dirt particles and that it has not been damaged.
 - 4) Install the battery in a direction marked on the nearby housing and then screw the battery cap in a CW direction.
- LOW BATTERY INDICATOR:**When the sight is switch on either model V or mode IR, the flickering Visible Pointer or the IR Pointer Indicator represents the low battery situation.

4.3 MOUNTING INSTRUCTION

The repeatability accuracy is less than 2 MOA.

First Use:

- 1) Use screwdriver to loose the mount of LE117-GR/RD/IR LOW in order to install the LE117-GR/RD/IR LOW on the rail.

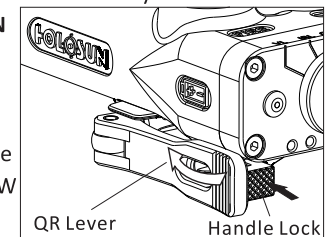


Fig 3

5

- 2) Open the handle lock and then load the LE117-GR/RD/IR LOW on the leftward pica tinny rail.
- 3) Latch the handle lock and use screwdriver to adjust the tightness.

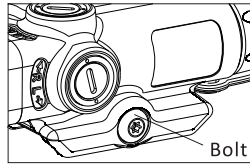


Fig 4

Repeat Use:

- 1) Open the handle lock and then load the LE117-GR/RD/IR LOW on the pica tinny rail.
- 2) Latch the handle lock.

4.4 Mode Selector

The LE117-GR/RD LOW has 3 modes and is set at mode OFF. Please make sure the mode selector is at one of 3 modes and do not locate the mode selector at any position among modes.

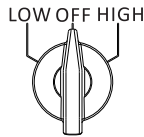


Fig 5 Mode Selector

Mode	Description
LOW	Low power Green/Red/IR Laser Pointer will be on when PRESS Fire Switch
OFF	No laser will be on when PRESS Fire Switch
HIGH	High power Green/Red/IR Laser Pointer will be on when PRESS Fire Switch

4.5 SWITCH INSTRUCTION

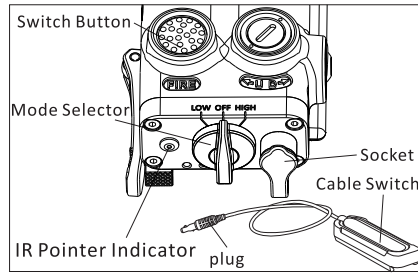


Fig 6

***IR Pointer**

Indicator: The IR Pointer Indicator the IR indicator will be active if the IR pointer is on.

After choose the output laser via Mode Selector Switch, uncover the lens cover. Both Switch Button and Remote Cable Switch can be used to activate the laser under the chosen mode.

4.5.1 SWITCH BUTTON

OPERATION:

- 1) Momentary On Mode: Single press the core of Switch Button and hold it, the laser will be activated and last until the Switch Button was released.
- 2) Continuous On Mode: Double press the Switch Button without holding, the laser will be activated and last 5 minutes and then automatically turn off. The user also can press Switch Button once to turn off the unit manually.

4.5.2 REMOTE CABLE SWITCH

INSTALLATION: Insert the plug of Remote Cable Switch into the socket after matching the interfaces of plug and socket.

OPERATION:

- 1) Momentary On Mode: Single press button of Remote Cable Switch and hold it, the laser will be activated and last until the Switch Button was released.
- 2) Continuous On Mode: Double press the button without holding, the laser will be activated and last 5 minutes and then automatically turn off. The user also can press Switch Button once to turn off the unit manually.

4.6 WINDAGE & ELEVATION ADJUSTMENT

The windage and elevation adjustment range is ± 60 MOA.

ADJUSTOR

Adjuster	Position	Mark	Direction	Pointer Movement
Elevation Knobs	Top	U	CW	Up
		D	CCW	Down
Windage Knobs	Side	L	CW	Left
		R	CCW	Right

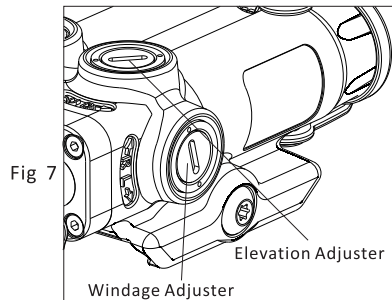


Fig 7

ADJUSTMENT

Use wrench or coin to rotate the adjuster as needed according to the instruction table above.

5. MAINTAIN

The LE117-GR/RD/IR LOW is rugged, compact laser device that is designed to operate in severe environments. The exterior housing is made of aircraft grade aluminum and the other components are made of chemically resistant materials that will not be harmed by chemicals normally encountered during military operation.

Operator maintenance is limited to the inspection and cleaning of the LE117-GR/RD/IR LOW external surfaces, replacement of battery before each mission and removal of the battery after each mission.

6. WARRANTY

Holosun will furnish its standard form LIMITED WARRANTY in favor of its customers and the first end users of its products. The LE117-GR/RD/IR LOW has a one year limited warranty on parts and workmanship from the date of purchase. The warranty is void if the serial number or the manufacturer's labels affixed to the product has been removed or if the product has been misused, modified, neglected or has been disassembled prior to return to manufacturer. To the maximum extent permitted by law, Holosun's election to repair or replace the device shall constitute the purchaser's sole remedy in the event of a defect.

7. NON-WARRANTY INFORMATION

Non-warranty repairs are subject to an evaluation fee. LE117-GR/RD/IR LOW units that are not covered by the warranty will be tested and evaluated for failure. Customer permission and payment terms will be obtained prior to perform any repairs.

8. RETURN INSTRUCTIONS

• For service, repair or replacement email:warranty@holosun.com, call 909-594-2888

• Please provide the following information to assist technician to determine if the item is repairable:

- 1) Serial Number of the defective item.
- 2) Thorough description of the malfunction, defect or damage
- 3) An explanation as to how the malfunction, defect or damage occurred, if known.

(NOTE: If the technician determines that the item is under warranty or should be returned for repair, a Return Material Authorization (RMA) number will be

provided.)

• LE117-GR/RD/IR LOW should be followed to prevent any additional damage:

- 1) Be sure that the is free of all contaminants such as dirt or any other foreign material.
- 2) Remove the battery.
- 3) Place the Exit Port Covers over each of the lenses.
- 4) Place the LE117-GR/RD/IR LOW in the Shipping Case or Carrying Case if available. If the Shipping Case is not available, individually package each LE117-GR/RD/IR LOW unit being returned in a suitable container.

Place the LE117-GR/RD/IR LOW and a copy of the test report or detailed description of the failure in a suitable packing/shipping container. Mark the package with the RMA number. Ship the fastest, traceable, Please refer to <http://www.holosun.com> for current and complete warranty information.

**LE117-GR/RD/IR LOW
Single Laser Sight**

HOLOSUN
Holosun Technologies Inc.
www.holosun.com

Customer Service

Phone: 909-594-2888
Email: warranty@holosun.com



WARNING :Cancer and Reproductive Harm - www.P65Warnings.ca.gov