

IMPORTANT NOTICES

1. Do not point the P.ID-K directly into human eyes. This may cause temporary blindness, or permanent damage to the eyes.
2. Do not cover the light head, or place the light head down on the ground when the light is on. The radiation energy of the light may cause damage to the light itself, or result in burning other materials.
3. Do not leave the light in any type of fabric bag or fusible plastic container under high temperature.

CAUTION:

Fully charge the battery before storing the light for a long period of time.

Ensure the light is powered OFF before performing any type of inspection.

Ensure the firearm is unloaded and safe by removing all ammunition and magazines from the firearm and verify an empty chamber before installation or battery replacement. **DO NOT ATTEMPT TO INSTALL THIS PRODUCT ON A LOADED FIREARM.**

Please keep the packaging should you need to make a warranty claim.

OVERVIEW

1. Product Description

Thank you for purchasing the P.ID-K from HOLOSUN. The P.ID series of flashlights are compact, yet powerful pistol mounted white lights that are designed for Positive Identification of threats in low or no light conditions. The P.ID-K attaches to any firearm that uses a MIL-STD 1913 Picatinny rail, slimline pistol rails, and includes adapters for universal compatibility. Before

operation, please read the User's Manual carefully.

2. Component Description

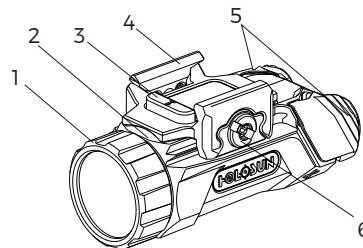


Fig 1

1	Bezel	4	Clamping Block
2	Body	5	Activation Buttons
3	Adapter Insert	6	Locking Screw

FEATURES

1. High Power White LED
2. 16340 Type-C Rechargeable Battery
3. CNC Milled 7075 Aluminum Housing
4. IP68 Waterproof
5. Two Rail Interface Adapters

BATTERY

1. Battery Installation

- 1) Remove the bezel/battery cap by unscrewing it in a CCW direction.
- 2) Inspect the battery compartment for dirt, moisture, or corrosion and clean the battery compartment if needed.

3) Inspect the O-ring seal on the battery cap to make sure that it is free of sand and dirt particles and that it has not been damaged.

4) Install the battery as marked on the housing, positive (+) end first (see Fig. 2). Then replace the bezel/battery cap by screwing it in a CW direction.

Caution:

When using for the first time, be sure to remove the battery insulation material (white disc).

Do not lose the conductive tube inside the battery compartment.

The P.ID-K includes a 16340 Type-C battery which requires use of the included charging cable or a high quality charger only. Frequently inspect the condition of the battery, including the terminals and outer shrink wrap. Do not use a battery that has any signs of damage, doing so risks injury.

The user can also use a CR123A battery instead of the included 16340 Type-C battery.

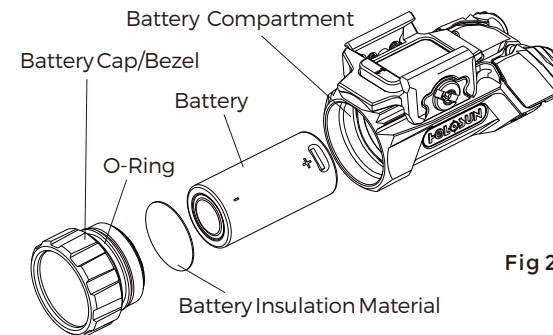


Fig 2

2. Battery Recharging

- 1) Remove the bezel by unscrewing it in a CCW direction.

2) Remove the 16340 Type-C rechargeable battery.

3) Recharging voltage is DC5V.

4) Connect the USB end of the charging cable to an external USB power source, then attach the other end of the Type-C charging cable to the charging port of the battery.

Caution:

Do not attempt to recharge a disposable battery.

Please keep the charging port clean, remove any dust or debris before charging.

The battery included with your P.ID-K can be charged with the included USB-C charging cable or any compatible USB-C charging cable. Please use a power adapter with an output of 5V/1A or higher. It takes about 6 hours to charge using the Type-C interface of the battery.

It is normal for the temperature of the positive electrode of the battery to rise during charging, please be careful of high temperatures. The battery should be placed out of reach of children.

INSTALLATION

1. Installing the P.ID-K on Your Accessory Rail

- 1) Using the included tool, loosen the clamp block in order to install the P.ID-K onto your rail.
- 2) Press the head of the clamp screw to aid opening up the rail clamp to its maximum width.
- 3) Place the fixed side of the rail clamp against the firearm rail and swing the light into position until the recoil lug of the rail interface insert piece is resting completely in a rail slot. Next, press the clamp block into position on the rail.
- 4) While pushing forward on the P.ID-K (toward the

firearm muzzle), turn the clamp screw head clockwise until the P.ID-K is tightened securely and there is no movement. (See Fig 3)

Notice: The mount is designed to slide forward and backward and rotate 180 degrees to accommodate most models of firearms.

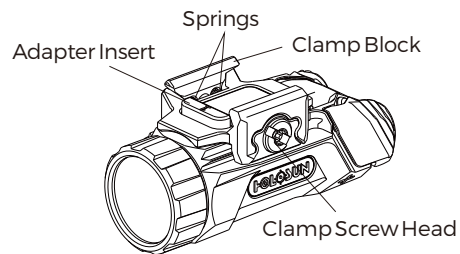


Fig 3

2. Selecting the Proper Adapter

The P.ID-K comes with 3 adapters. Marked as 1,2,3 respectively. (See Fig 4)

All three adapters are meant for any firearms with MIL-STD 1913 or similar rail. To change the rail interface adapter, the P.ID-K must be removed from the rail.

1) Use the included tool to turn the clamp screw counterclockwise until the clamp block is separated from the clamp screw. Remove the clamp screw taking care not to lose the two springs that are on the clamp block.

2) Test fit each adapter to determine which one positions the P.ID-K best for you. The adapter can also be rotated 180 degrees for use.

3) Put the correct adapter into the slot on top of the light, reinsert the clamp screw through the adapter and thread it clockwise into the clamp block.

4) Place the fixed side of the rail clamp against the firearm rail, use the included tool to turn the clamp screw head clockwise until the P.ID-K is secured onto the rail and cannot be moved forward or back.

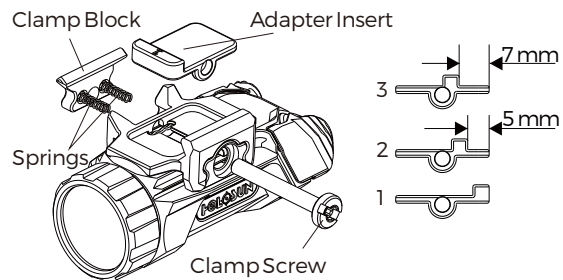


Fig 4

3. Selecting the Proper Mount

The P.ID-K is also equipped with a mount for slimline sub-compact pistols such as G43X MOS or G48 MOS. For disassembly and installation steps, please consult Figure 5.

1) Use the included tool to turn the clamp screw counterclockwise until the clamp block is separated from the clamp screw. Remove the clamp block, clamp screw, adapter, securing plate, base plate in sequence.

2) Disassemble the mount to be installed according to Figure 5.

3) Reattach the mount by following step 1 in reverse order.

caution:

When installing the base plate, ensure it seats into the dovetail slot of the main body.

During clamping block installation, insert the springs into their corresponding pockets.

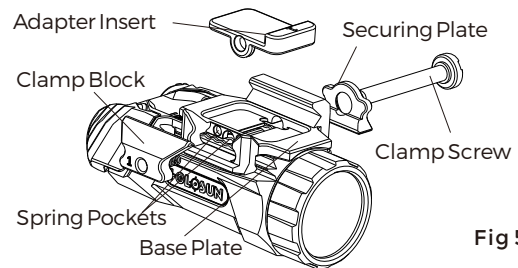


Fig 5

OPERATION

The P.ID-K has an activation button on each side of the housing. When a battery is first installed, the product is turned off. (See Fig 6)

1. Short press either activation button (left or right), to activate high mode. Short press either activation button (left or right) again to power off.

2. Press and hold either activation button for more than 0.5s, and the P.ID-K will remain on until you release the switch for momentary operation.

3. Changing between High and Low Modes:

P.ID-K has two intensity modes: High and Low. Press and hold the both activation buttons simultaneously to change modes. Modes will change every two seconds while both buttons are pressed.

High Mode output is 500 Lumens/6500 Candela, Low Mode is 250 Lumens/3200 Candela.

4. Lockout:

The Lockout function prevents unintentional light discharges. Triple tap one of the activation buttons to activate the lockout. A confirmation low power, single flash confirms lockout mode is activated. Repeat to deactivate the Lockout.

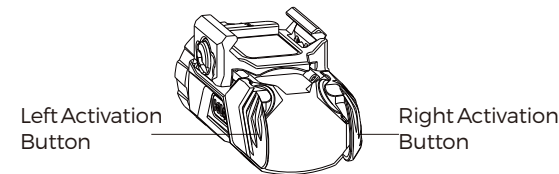


Fig 6

CONTENTS

The P.ID-K packaging includes the following items:

1. P.ID-K Tactical White Light
2. 2 Rail Interface Adapter Inserts
3. Slim Rail Adapter
4. USB Type-C Charging Cable
5. User Manual
6. T10 Torx Tool
7. 16340 Type-C Battery
8. Cleaning Cloth
9. Desiccant

Maintenance & Care

The P.ID series is a rugged and compact light that is designed to operate in severe environments. The following tips are provided to ensure a long product life. When cleaning the lens, ensure it has cooled before any maintenance. Blow away any dust on the surface, wet the lens with lens cleaner or clean water, then wipe away smudges with lens tissue, soft cotton or a microfiber cloth. Avoid touching the glass surface with dry cloth or tissue paper. Do not use organic solvents such as alcohol or acetone. No special

maintenance is needed for the housing surface. Do not try to dismantle the device as the internal parts are specially cleaned and sealed and with an anti-fog treatment. Any such attempt will void the warranty.

LIMITED WARRANTY

We provide a limited lifetime warranty from the date of purchase on parts and workmanship to the original purchaser. At our sole discretion, we will repair or replace products found to be defective under normal use without charge, excluding any delivery costs, which will be born by purchaser. We will not be liable for incidental, consequential, or special damages arising out of or in any connection with the use or performance of this product. This warranty is void if the product has been misused, modified, neglected, or disassembled prior to its return. Please refer to www.holosun.com for current and complete warranty information and other conditions.

For more information about Holosun, our Warranty, Terms of Use and Sale, and our Privacy Policy, please visit holosun.com.

HOLOSUN®

Holosun Technologies Inc.

Phone: 909-594-2888
Email: info@holosun.com



WARNING: Cancer and Reproductive Harm - www.P65Warnings.ca.gov