

FLASHLIGHT

RAID 80k Candela

User's Manual

www.holosun.com

System Description

1. Component Description

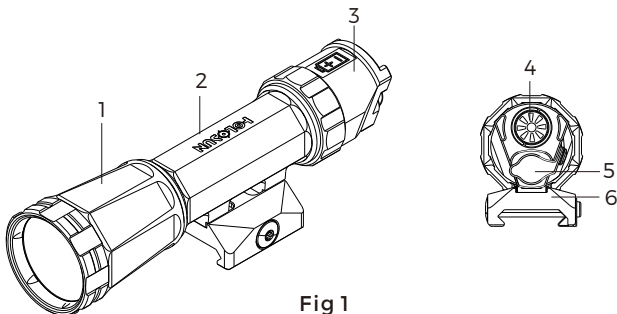


Fig 1

1	Bezel	4	Activation Button
2	Body	5	Rubber Port Cover
3	Tailcap	6	Mount

2. Packaging

RAID packaging includes the following items:

- 1) RAID Flashlight
- 2) Picatinny Mount
- 3) M-LOK Mount
- 4) USB Type-C Charging Cable
- 5) Remote Cable Switch
- 6) 18650 Type-C Battery
- 7) T10 Torx Tool
- 8) User Manual
- 9) Cleaning Cloth
- 10) Desiccant

3. Optional Infrared Bezel

An optional IR bezel is available separately. (see Fig 2). For more information, please refer to www.holosun.com. P/N RAID-BZ-IR

Specifications	Output
High	500mW
Low	200mW

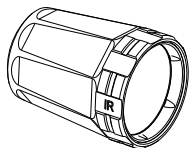


Fig 2

Features

- 1. 1,000 Lumens with 80,000 Candela High Output.
- 2. Remote Activation Button Included.
- 3. M-LOK & Picatinny Mount Included.
- 4. Accepts 2x CR123A, 18650, or 18650 Type-C Batteries
- 5. 7075 T6 Aluminum Housing.
- 6. Ip68 Dust proof and Waterproof.

Battery

1. Battery Installation

- 1) Remove the bezel or tailcap by unscrewing it in a CCW direction.
- 2) Inspect the battery compartment for dirt, moisture, or corrosion, and then clean the battery compartment if needed.
- 3) Inspect the O-ring seal on the battery compartment to make sure that it is free of sand and dirt particles and that it has not been damaged.
- 4) Install the battery as marked on the housing, positive (+) end forward towards bezel(see Fig 3). Then reinstall the bezel or tailcap by screwing it in a CW direction.

Thank you for purchasing the RAID (Rifle Area Illumination Device) from HOLOSUN. The RAID is an all-new, high-power, long-gun white light with optional IR bezel accessory. Mounts for Picatinny rails and M-LOK are included in the box. Before operation, please read the User's Manual carefully.

Important Notices

- 1. Ensure the firearm is unloaded and safe by removing all ammunition and magazines from the firearm and verify an empty chamber before installation or battery replacement. **DO NOT ATTEMPT TO INSTALL THIS PRODUCT ON A LOADED FIREARM.**
- 2. Please keep the packaging should you need to make a warranty claim.

Caution:

Do not lose the conductive tube inside the battery compartment. When using for the first time, be sure to remove the battery insulation material.

The RAID includes a flat top 18650 Li-ion battery which requires use of the included charging cable or a high quality charger only. Frequently inspect the condition of the battery, including the terminals and outer shrink wrap. Do not use a battery that has any signs of damage, doing so risks injury.

Users can also use two CR123A batteries or a standard 18650 battery instead of the included 18650-Type-C battery.

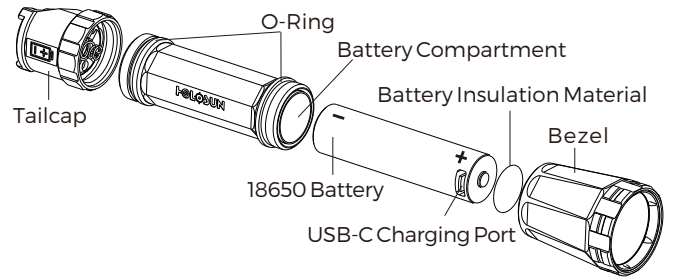


Fig 3

2. Battery Recharging

- 1) Remove the bezel or tailcap by unscrewing it in a CCW direction.
- 2) Remove the 18650 Type-C battery.
- 3) Recharging voltage is DC5V.
- 4) Connect the USB end of the charging cable to an external USB power source, then attach the other end of the Type-C charging cable to the charging port of the battery. (See Fig 3)

Caution:

Do not use attempt to charge a disposable battery. Please keep the charging port clean, wipe any dust off before charging.

The battery included with RAID can be charged with the included USB-C charging cable or any compatible USB-C charging cable. Please use a power adapter with an output of 5V/1A or higher. It takes about 6 hours to charge using the Type-C interface of the battery. It is normal for the temperature of the positive electrode of the battery to rise during charging, please be careful of high temperatures. The battery should be placed out of reach of children.

Installation

RAID includes two mounts: Picatinny Mount and M-LOK mount.

1. Picatinny Mount

- 1) Align the mounting holes of the Picatinny Mount with the threaded holes of mount lugs on the RAID body. Use two included 8-32 screws to attach the Picatinny Mount to the RAID body. Using the included tool tighten the screws to 15-20INCH/lbs. (See Fig 4)
- 2) Use the included T10 torx tool to loosen the clamp screw by rotating counterclockwise.
- 3) Move the clamp block to a position sufficient to connect the mount to a Picatinny rail.
- 4) Apply forward pressure to the RAID and tighten the clamp screw to 15-20INCH/lbs.

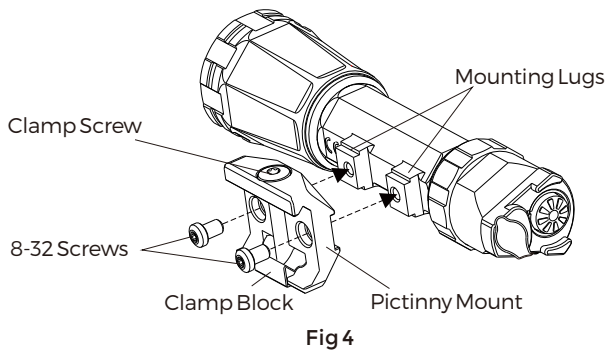


Fig 4

2. M-LOK Mount

- 1) Align the holes of the M-LOK Mount with the threaded holes of the mounting lugs on the RAID body. Using two included 8-32 screws to attach the M-LOK Mount to the mounting lugs. Then using the included tool tighten the screws to 15-20 INCH/lbs. (See Fig 5)
- 2) Insert the two t-nuts into the M-LOK slots, ensuring the t-nuts rotate into a perpendicular position to the slot, and then use the included tool to tighten the screw to 15-20 INCH/lbs. (See Fig 6)

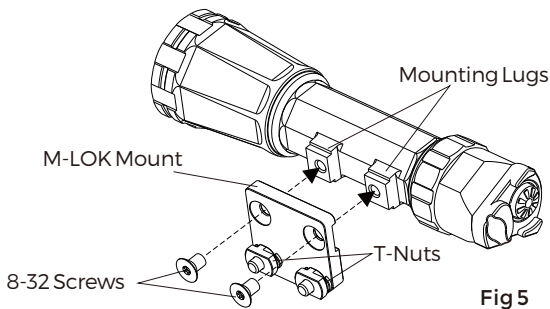


Fig 5

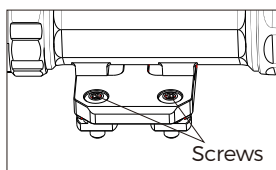


Fig 6

3. Remote Cable Switch

- Remove the rubber cover (fig 1) and insert the plug of the remote cable switch into the port. Then attach the button to your preferred Picatinny rail location, away from the muzzle. (See Fig 7)
- 1) Using the included T10 torx tool to loosen the head of clamp screws by rotating counterclockwise.
 - 2) Move the clamp block to a position sufficient to connect the mount to a Picatinny rail.
 - 3) Apply forward pressure to the remote cable switch and tighten the clamp screws to 5 INCH/lbs.

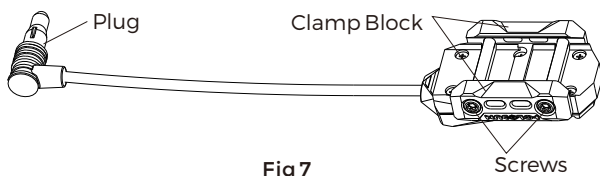


Fig 7

Operation

1. Short press the activation button to activate the flashlight. Short press the activation button again to power off. (See Fig 8)
2. Changing between High and Low Modes:
RAID has two intensity modes: High and Low
Double click the button quickly to change modes.
High Mode output is 1,000 Lumens /80,000 Candela, Low Mode is 500 Lumens /45,000 Candela.
3. Lockout:
The Lockout function prevents unintentional light discharges.
Triple tap the activation button to activate the lockout. Repeat to deactivate the Lockout.
4. Remote cable switch: Functions the same as the activation button on the tailcap of the RAID from a more ergonomic position. (See Fig 9)

5. Note:

- 1) Memory function: The light will remember the last saved brightness setting when powered on and off.
- 2) Low battery warning: If the battery voltage is below 2.9Vdc, the light will blink slowly.

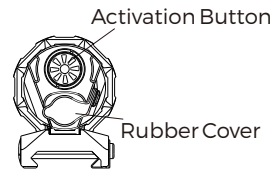


Fig 8

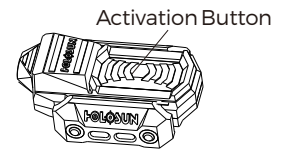


Fig 9

WARNING:

Do not point the RAID directly into human eyes, this may cause temporary blindness or permanent damage to the eyes.
Do not cover the light bezel or place the light bezel down on the ground when the light is on. The radiant energy of the light may cause damage to the light itself, or even result in burning other materials.

Do not leave the light in any type of fabric bag or fusible plastic container under high temperature.

CAUTION:

Fully charge the battery before storing the light for a long period of time.

Ensure the light is OFF before performing any type of inspection.

Maintenance & Care

This device is a rugged and compact light that is designed to operate in severe environments. The following tips are provided to ensure a long product life. When cleaning the lens, ensure it has cooled before any maintenance is performed. Blow away any dust on the surface, wet the lens with lens cleaner or clean water, then wipe away smudges with lens tissue, soft cotton or a microfiber cloth. Avoid touching the glass surface with dry cloth or tissue paper. Do not use organic solvents such as alcohol or acetone. No special maintenance is needed for the housing surface. Do not try to dismantle the device as the internal parts are specially cleaned and sealed and with an anti-fog treatment. Any such attempt will void the warranty.

Limited Lifetime Warranty

We provide a limited lifetime warranty from the date of purchase on parts and workmanship to the original purchaser. At our sole discretion, we will repair or replace products found to be defective under normal use without charge, excluding any delivery costs, which will be born by purchaser. We will not be liable for incidental, consequential, or special damages arising out of or in any connection with the use or performance of this product. This warranty is void if the product has been misused, modified, neglected, or disassembled prior to its return. Please refer to www.holosun.com for current and complete warranty information and other conditions.

For more information about Holosun, our Terms of Use and Sale, and our Privacy Policy, please visit holosun.com.

HOLOSUN[®]

Holosun Technologies Inc.

Phone: 909-594-2888
Email: info@holosun.com



WARNING :Cancer and Reproductive Harm - www.P65Warnings.ca.gov

1208001552.A2