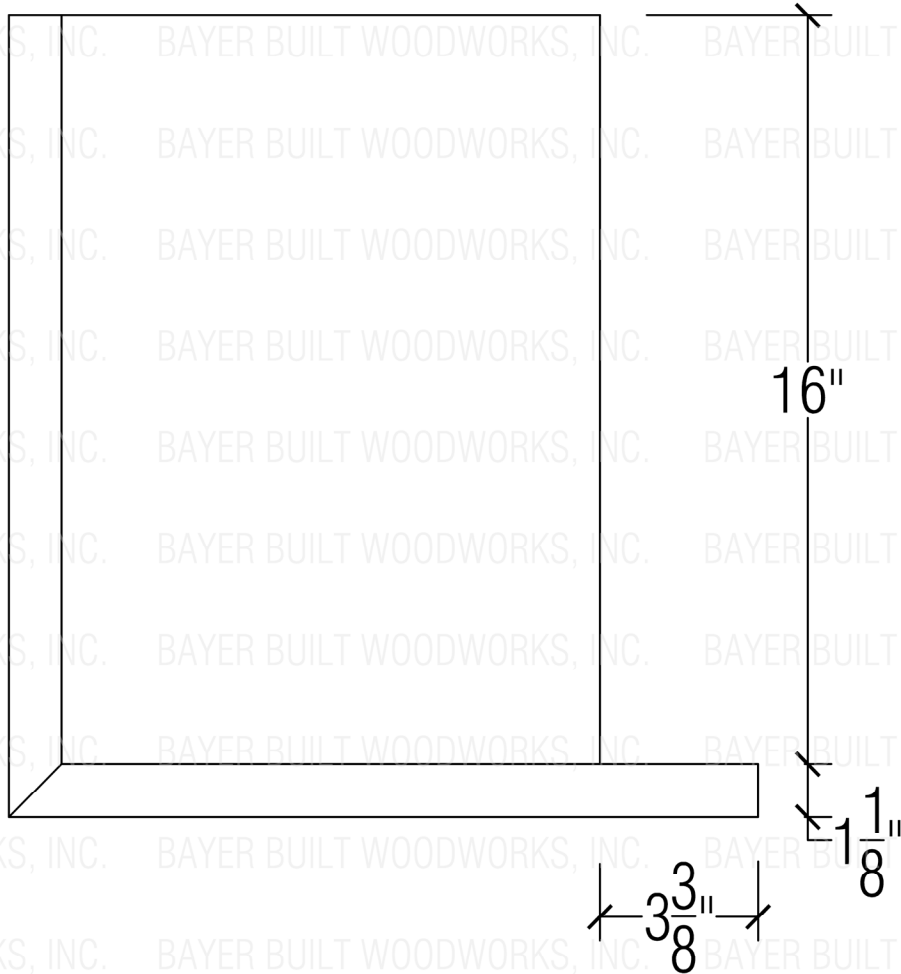


8071-06 Tread Cap

$1\frac{1}{8}''$   $11\frac{1}{2}''$



8071-16 Tread Cap