

Hour Meter Series HM 36

- Robust design with high degree of Accuracy and Compact size
- Frequency independent for AC applications
- Indicates operating time in hours and tenths with running indicators
- Panel mountable with 7 Bezel options
- 6 Digit Non-Resettable with automatic recycle to zero
- Wide supply voltage range: 4 - 36V AC/DC, 10 - 80V DC & 90 - 264V AC
- Shock & Vibration Proof



Ordering Information

Cat. No.	Description
LA21F1	90 - 264 VAC, Rectangular Bezel
LA22F1	90 - 264 VAC, Rectangular 2 holes Bezel
LA23F1	90 - 264 VAC, Round Bezel
LA24F1	90 - 264 VAC, Round 3 holes Bezel
LA25F1	90 - 264 VAC, Square Mount Bezel
LA26F1	90 - 264 VAC, Cup Mount Bezel
LA27F1	90 - 264 VAC, Stirrup Mount Bezel
LD11F1	10 - 80 VDC, Rectangular Bezel
LD12F1	10 - 80 VDC, Rectangular 2 holes Bezel
LD13F1	10 - 80 VDC, Round Bezel
LD14F1	10 - 80 VDC, Round 3 holes Bezel
LD15F1	10 - 80 VDC, Cup Mount Bezel
LD16F1	10 - 80 VDC, Stirrup Mount Bezel
LD17F1	10 - 80 VDC, Square Mount Bezel
LC31F1	4 - 36 VAC/DC, Rectangular Bezel
LC32F1	4 - 36 VAC/DC, Rectangular 2 holes Bezel
LC33F1	4 - 36 VAC/DC, Round Bezel
LC34F1	4 - 36 VAC/DC, Round 3 holes Bezel
LC35F1	4 - 36 VAC/DC, Cup Mount Bezel
LC36F1	4 - 36 VAC/DC, Stirrup Mount Bezel
LC37F1	4 - 36 VAC/DC, Square Mount Bezel

Hour Meter Series HM 36






Cat. No.	LA21F1	LA22F1	LA23F1	LA24F1	LA25F1	LA26F1	LA27F1
Parameters							
Supply Voltage (⊕)	90 - 264 VAC						
Frequency	50/60 Hz						
Over Voltage & Reverse Polarity Protection	N A						
Power Consumption (Max.)	0.5 VA						
Bezel Mount	Rectangular	Rectangular 2 holes	Round	Round 3 holes	Square	Cup	Stirrup
Register	6 Digit (3.6mm)						
Read Out	99999.9						
Least Count	1/10 h						
Accuracy	± 0.02% over entire range						
Vibration	10-80Hz with 20g max (SAE J1378)						
Shock	55g @ 9-13ms (SAE J1378)						
Weight (unpacked)	47g						
Temperature	-40° C to +85° C						
Humidity (Non Condensing)	95% (Rh)						
Mounting	Panel						
Termination	¼" [6.3] Spade Terminal						
Degree of Protection	IP 66 (Front only with gasket)						
Approvals	SAE & NEMA 4X (Front only with gasket)						

Cat. No.	LD11F1	LD12F1	LD13F1	LD14F1	LD15F1	LD16F1	LD17F1
Parameters							
Supply Voltage (⊕)	10 - 80 VDC						
Frequency	N A						
Over Voltage & Reverse Polarity Protection	Protected for 2 times Battery voltage and / or Reverse polarity						
Power Consumption (Max.)	0.25 VA						
Bezel Mount	Rectangular	Rectangular 2 holes	Round	Round 3 holes	Cup	Stirrup	Square
Register	6 Digit (3.6mm)						
Read Out	99999.9						
Least Count	1/10 h						
Accuracy	± 0.02% over entire range						
Vibration	10-80Hz with 20g max (SAE J1378)						
Shock	55g @ 9-13ms (SAE J1378)						
Weight (unpacked)	47g						
Temperature	-40° C to +85° C						
Humidity (Non Condensing)	95% (Rh)						
Mounting	Panel						
Termination	¼" [6.3] Spade Terminal						
Degree of Protection	IP 66 (Front only with gasket)						
Approvals	SAE & NEMA 4X (Front only with gasket)						

Note: NEMA 4X IP 66 gaskets available for different Bezels

Hour Meter Series HM 36



Cat. No.	LC31F1	LC32F1	LC33F1	LC34F1	LC35F1	LC36F1	LC37F1
Parameters							
Supply Voltage (φ)	4 - 36 VAC/DC						
Frequency	50/60 Hz						
Over Voltage & Reverse Polarity Protection	Not applicable to AC and 48V for DC Application						
Power Consumption (Max.)	1 VA						
Bezel Mount	Rectangular	Rectangular 2 holes	Round	Round 3 holes	Cup	Stirrup	Square
Register	6 Digit (3.6mm)						
Read Out	99999.9						
Least Count	1/10 h						
Accuracy	± 0.02% over entire range						
Vibration	10-80Hz with 20g max (SAE J1378)						
Shock	55g @ 9-13ms (SAE J1378)						
Weight (unpacked)	47g						
Temperature	-40° C to +85° C						
Humidity (Non Condensing)	95% (Rh)						
Mounting	Panel						
Termination	¼" [6.3] Spade Terminal						
Degree of Protection	IP 66 (Front only with gasket) SAE & NEMA 4X (Front only with gasket)						
Approvals	  						

VIEWS OF DIFFERENT BEZELS



Rectangular Bezel



Rectangular 2 holes Bezel



Round Bezel



Round 3 holes Bezel



Cup Mount Bezel



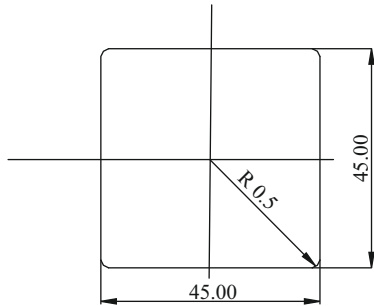
Stirrup Mount Bezel

Note: NEMA 4X IP 66 gaskets available for different Bezels

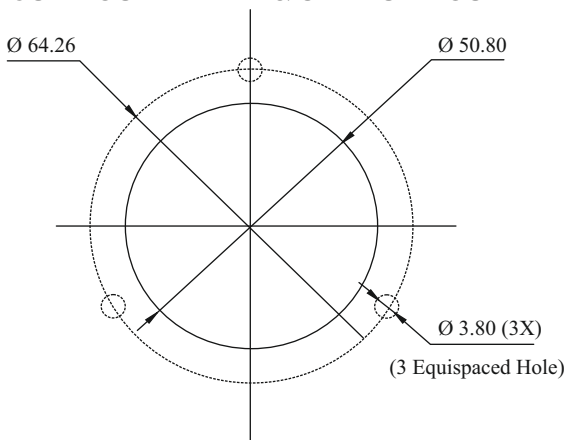
Hour Meter Series HM 36

MOUNTING DIMENSION (mm)

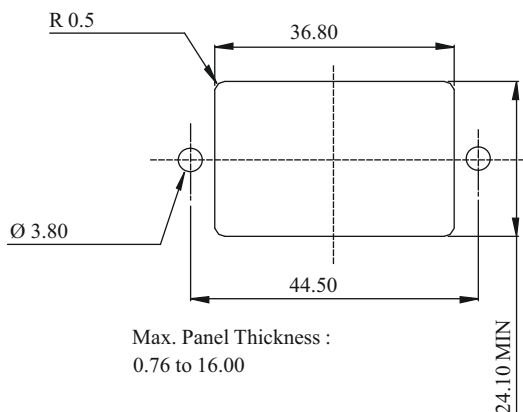
SQUARE MOUNT BEZEL (45 X 45 PANEL CUTOUT)



ROUND BEZEL, ROUND 3 HOLES BEZEL, CUP MOUNT BEZEL & STIRRUP MOUNT BEZEL

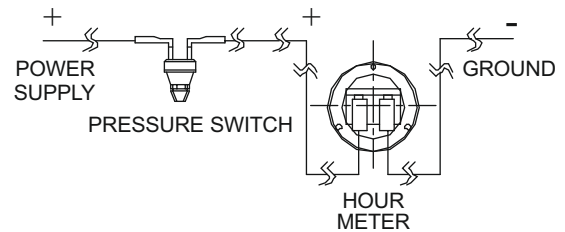
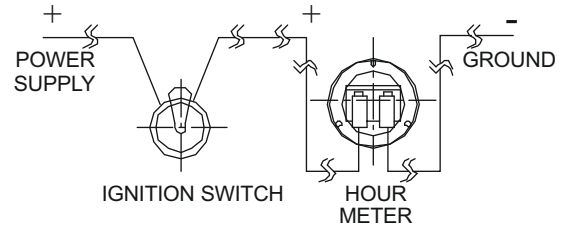


RECTANGULAR BEZEL

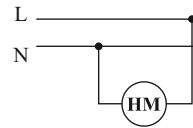


CONNECTION DIAGRAM

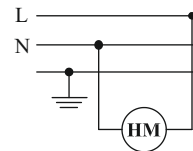
FOR: DC SERIES



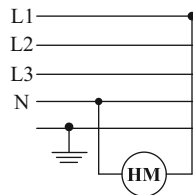
FOR: AC SERIES



Single phase, 2 wire, 120/240 V system:
Connect power wire to one terminal and neutral wire to opposite terminal.



Single phase, 3 wire, 120/240 V system:
Connect any one power wire to one terminal and neutral wire to opposite terminal.



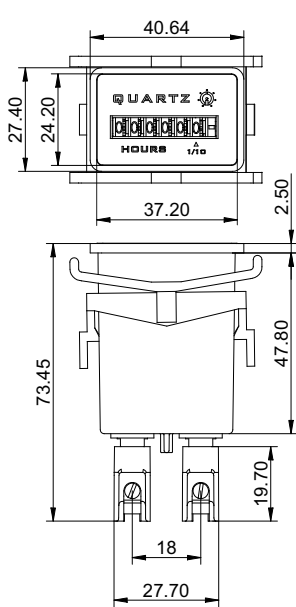
Three phase, 4 wire, 120/240 V system:
Connect any one power wire to one terminal and neutral wire to opposite terminal.

CAUTION

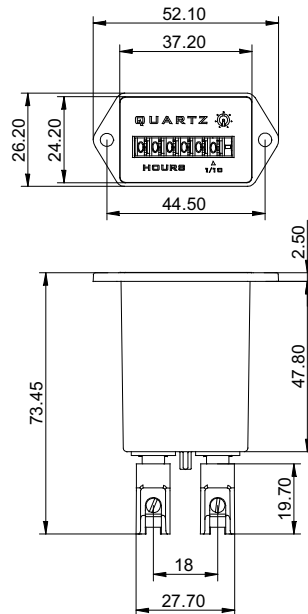
Tighten terminals with flat head screwdriver with tip size 4.3 x 0.6 mm.

Hour Meter Series HM 36

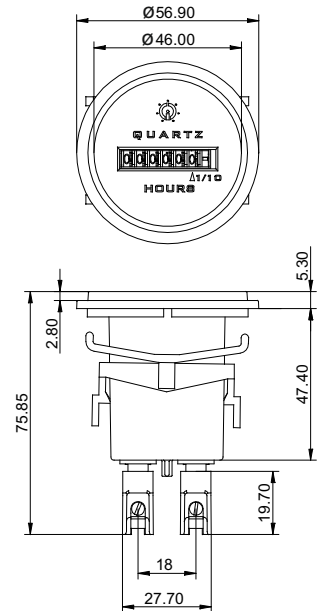
VIEWS OF DIFFERENT BEZELS



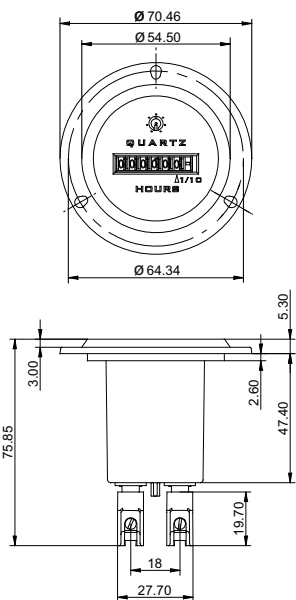
Rectangular Bezel



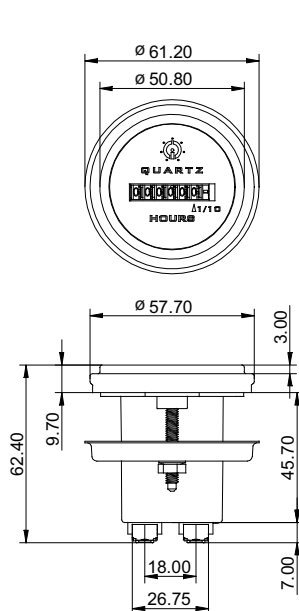
Rectangular 2 holes Bezel



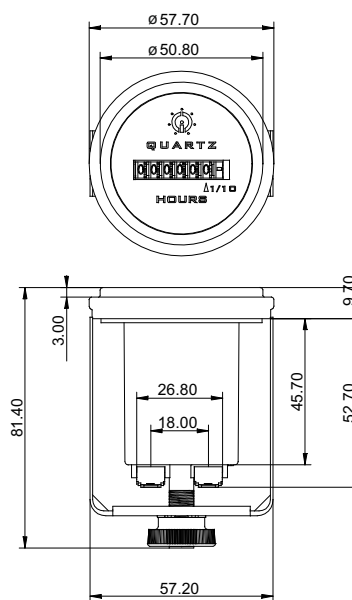
Round Bezel



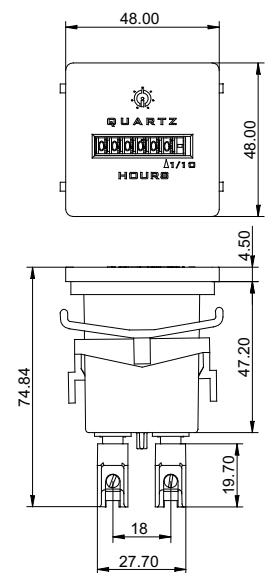
Round 3 holes Bezel



Cup Mount Bezel



Stirrup Mount Bezel



Square Bezel

Dimensions in mm

Hour Meter Series HM 36

- Robust design with high degree of Accuracy and Compact size
- Frequency independent for AC applications
- Indicates operating time in hours and tenths with running indicators
- 6 Digit Non-Resettable with automatic recycle to zero
- Wide supply voltage range: 90 - 460V AC, 10 - 80V DC & 110 V DC
- Suitable for Control Panel applications



Ordering Information

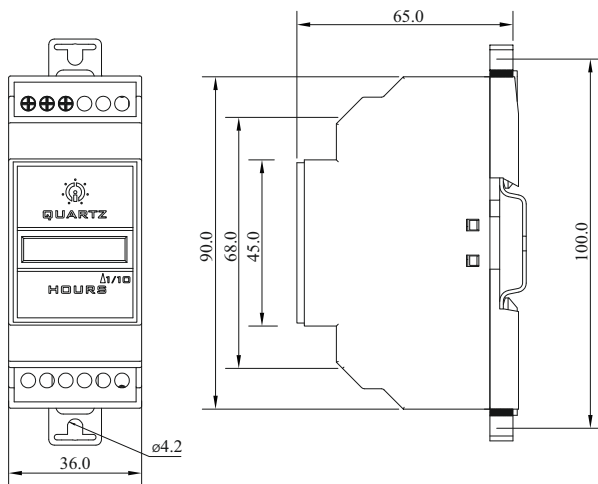
Cat. No.	Description
30A6B1	90 - 264 / 270 - 460 V AC, Hour Meter, Base/DIN
30A7B1	48 V AC, Hour Meter, Base/DIN
30D1B1	10 - 80 V DC, Hour Meter, Base/DIN
30D4B1	110 VDC, Hour Meter, Base/DIN
30C3B1	4 -36 VAC/DC, Hour Meter, Base/DIN

Hour Meter Series HM 36



Cat. No.	30A6B1	30A7B1	30D1B1	30D4B1	30C3B1
Parameters					
Supply Voltage (⊕)	90 - 264 / 270 - 460 VAC	48 VAC	10 - 80 VDC	110 VDC	4-36 VAC/DC
Frequency	50/60 Hz	50/60 Hz	N A	N A	50/60 Hz
Over Voltage	N A	N A	96 VDC, 1 min	96 VDC, 1 min	48 VDC, 1 min
Reverse Polarity Protection	N A	N A	Yes	Yes	Yes
Power Consumption (Max.)	1 VA Max	1 VA Max	0.25 VA	0.5 VA	1 Watt (Max)
Register	6 Digit (3.6mm)				
Read Out	99999.9				
Least Count	1/10 h				
Accuracy	± 0.02% over entire range				
Weight (unpacked)	70g				
Operating Temperature	-5° C to +55° C				
Storage Temperature	-20° C to +70° C				
Humidity (Non Condensing)	95% (Rh)				
Mounting	Base/DIN Rail				
Degree of Protection	IP 20 for Terminals, IP 40 for Enclosure				
Approvals					

MOUNTING DIMENSIONS (mm)



30A6B1, 30A7B1, 30D1B1, 30D4B1

TERMINAL TORQUE & CAPACITY

 Ø 3.5...4.0 mm	Torque - 0.54 N.m (5 Lb.in) Terminal screw - M2.6
	Solid Wire - 1 X 0.2...3.3 mm ²
AWG	1 X 24 to 12

CONNECTION DIAGRAM

