



TSW010

DIN RAIL ETHERNET SWITCH



Energy & utilities



Enterprise



Industrial & automation



Retail



Smart city

PLUG AND PLAY

No additional configuration needed

MOUNTING

Integrated DIN rail bracket and surface mounting options

INDUSTRIAL DESIGN

Anodized aluminum housing and panels

ETHERNET

5 x Ethernet ports with speeds of up to 100 Mbps

Ethernet

ETH	5 x ETH port, 10/100 Mbps, supports auto MDI/MDIX crossover
IEEE 802.3 series standards	802.3i, 802.3u, 802.3x, 802.3az

INDUSTRIAL PROTOCOLS

Profinet	Profinet Class A conformance (available with optional order code)
----------	---

Performance Specifications

Bandwidth (Non-blocking)	1 Gbps
MAC address table size	2K entries
Jumbo frame support	2048 bytes

Power

Connector	2-pin industrial DC power socket
Input voltage range	9 – 30 VDC
Input voltage range*	12-40 VAC (50/60Hz)
	*Feature availability varies by order code
PoE (passive)	Possibility to power up through ETH1 ports, not compatible with IEEE802.3af, 802.3at and 802.3bt standards, Mode B, 9 - 30 VDC
Power consumption	Idle: 0.3 W / Max: 0.9 W

Physical Interfaces

Ethernet	5 x RJ45 ports, 10/100 Mbps
Status LEDs	1 x Power LED, 10 x ETH status LEDs
Power	1 x 2-pin industrial DC power socket

Physical Specification

Casing material	Aluminium housing
Dimensions (W x H x D)	113.1 x 27.4 x 80.5 mm
Weight	146.5 g
Mounting options	Integrated DIN rail bracket; wall mount and flat surface (additional kit needed)

Operating Environment

Operating temperature	-40 °C to 75 °C
Operating humidity	5% to 95% non-condensing
Ingress Protection Rating	IP30

Regulatory & Type Approvals

Regulatory	CE, UKCA, EAC, FCC, IC, CB, RCM, CITC, ANRT, SDPPI (POSTEL), Kenya, REACH, RoHS, WEEE, UL Safety
------------	--

EMC Emissions & Immunity

Standards	EN 55032:2015 + A11:2020 + A1:2020 EN 55035:2017 + A11:2020
ESD	EN 61000-4-2:2009
Radiated Immunity	EN IEC 61000-4-3:2020
EFT	EN 61000-4-4:2012
Surge Immunity (AC Mains Power Port)	EN 61000-4-5:2014 + A1:2017
CS	EN 61000-4-6:2014

Safety

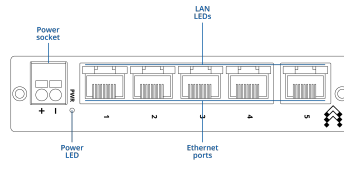
Standards **CE:** EN IEC 62368-1:2020 + A11:2020
 RCM: AS/NZS 62368.1:2022
 CB: IEC 62368-1:2018

Safety (Ordinary Locations)

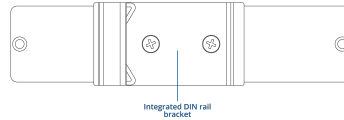
Standards UL/CSA Safety: UL 62368-1 (3rd Ed., Rev. December 13, 2019), C22.2 No. 62368-1:19 (3rd Ed., Rev. December 13, 2019)

Hardware

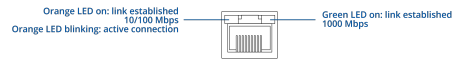
FRONT VIEW



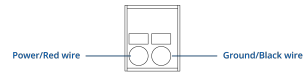
BACK VIEW



RJ45 LED MEANING



POWER SOCKET PINOUT



Ordering

Standard package*



TSW010



QUICK START GUIDE

*Standard package contents may differ based on standard order codes.

For more information on all available packaging options – please [contact us](#) directly.

Classification codes

HS Code: 851762
 HTS: 8517.62.00

Available versions

TSW010 *****0 Input voltage range: 9 - 30 VDC	N/A	TSW010000000 / Standard package without PSU TSW010000010 / Mass packing code
TSW010 *****1 Profinet Class A conformance Input voltage range: 9 - 30 VDC	N/A	TSW010000001 / Standard package without PSU
TSW010 *1***0 Input voltage range: 12-40 VAC (50/60Hz)	N/A	TSW010010000 / Standard package without PSU TSW010010010 / Mass packing code

TSW010 spatial measurements

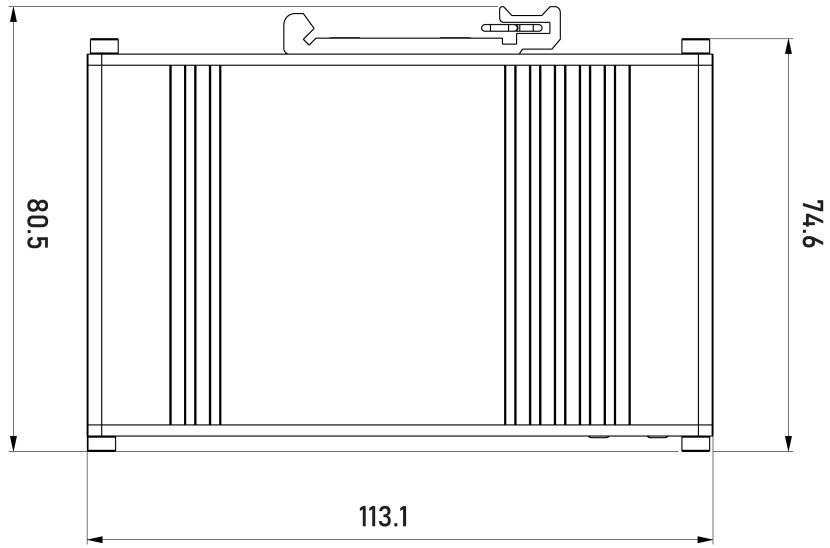
Available versions

Device housing (W x H x D)*	80.4 x 113.1 x 27.4 mm
Box (W x H x D):	175 x 35 x 150 mm

*Housing measurements are presented without antenna connectors and screws; for measurements of other device elements look to the sections below

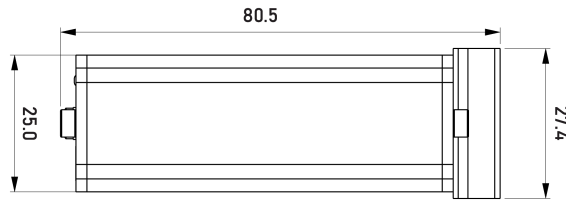
TOP VIEW

The figure below depicts the measurements of device and its components as seen from the top:



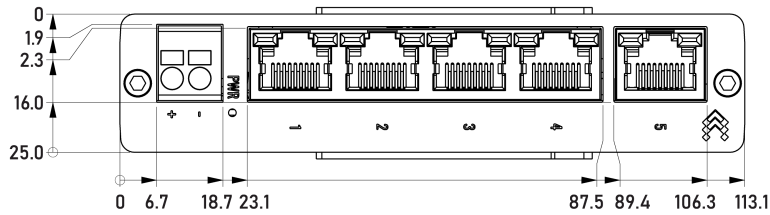
RIGHT VIEW

The figure below depicts the measurements of device and its components as seen from the right:



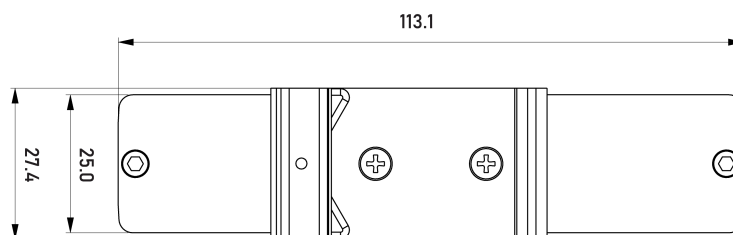
FRONT VIEW

The figure below depicts the measurements of device and its components as seen from the front panel side:



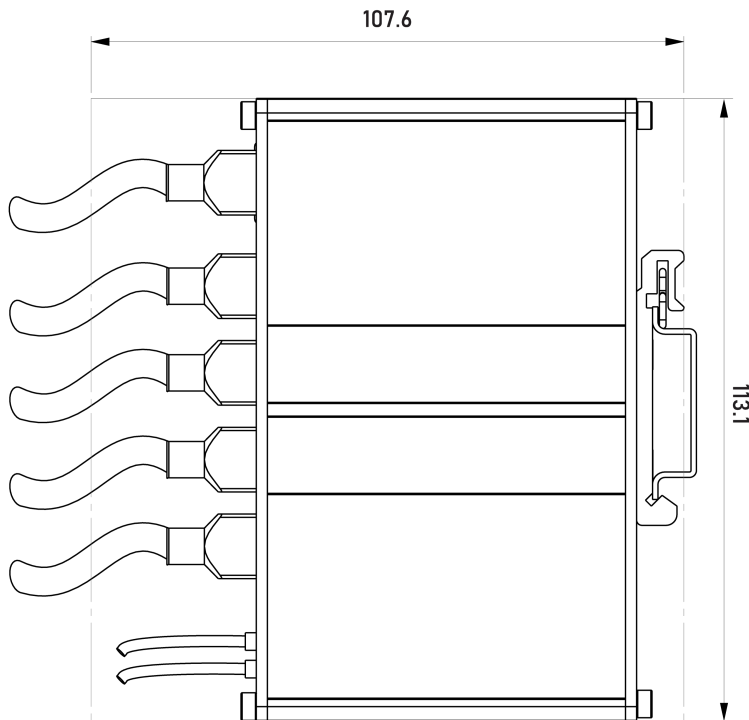
REAR VIEW

The figure below depicts the measurements of device and its components as seen from the back panel side:



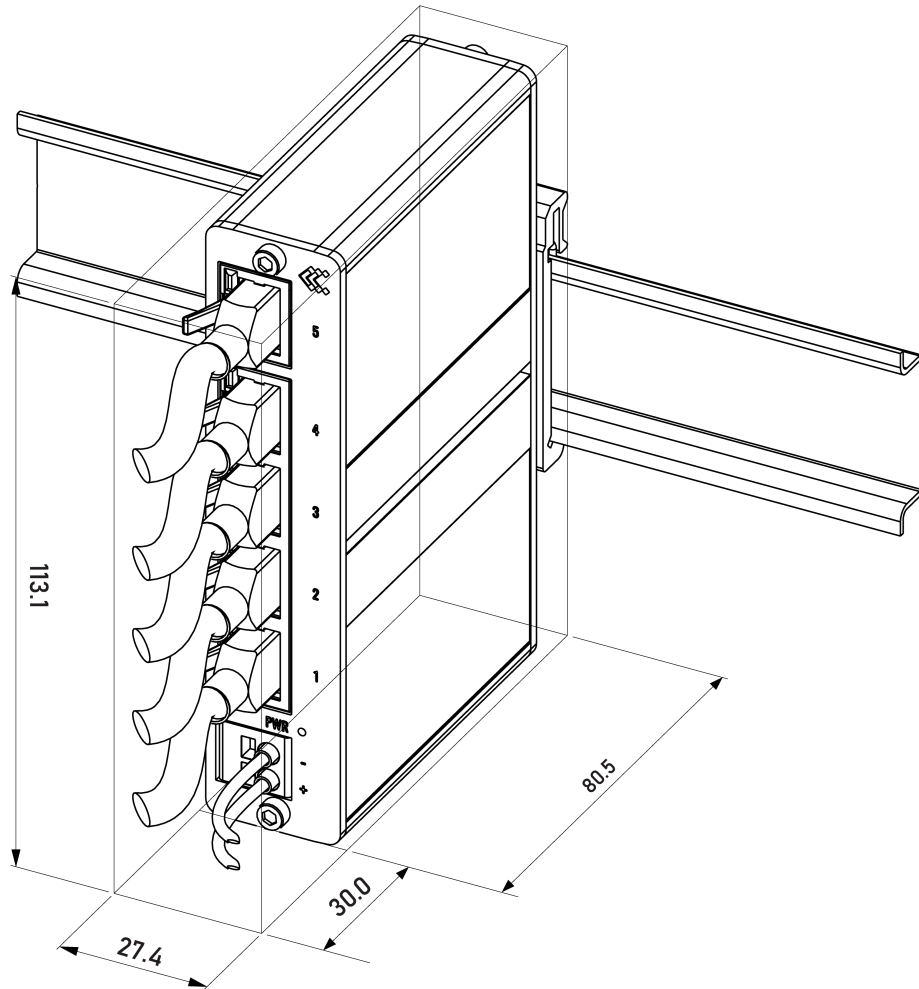
MOUNTING SPACE REQUIREMENTS

The figure below depicts an approximation of the device's dimensions when cables and antennas are attached:



DIN RAIL

The scheme below depicts protrusion measurements of an attached DIN Rail:





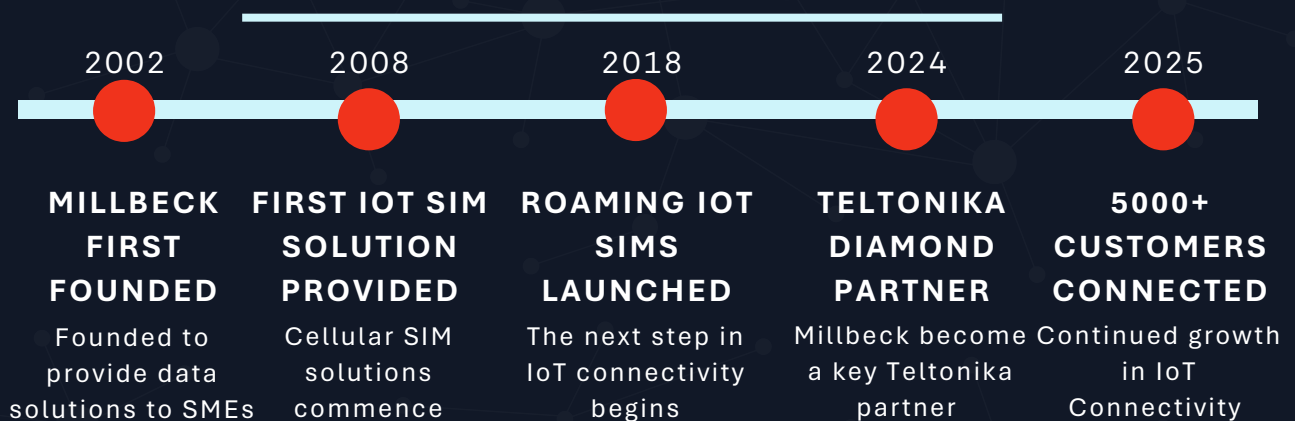
Millbeck.

ABOUT

Millbeck brings over 20 years of connectivity expertise, delivering smart, secure IoT solutions that scale seamlessly, from UK based projects to global deployments.

As a Teltonika Diamond Partner, we combine global IoT SIM coverage, industrial-grade hardware, and expert support to deliver scalable, future-ready systems tailored to your exact needs.

TIMELINE



EXPERTISE



SIM TECHNOLOGIES

- 2G/3G, 4G LTE, 5G, CAT-M1, LTE-M, VoLTE & NB-IoT
- eUICC
- eSIM
- Fixed Public IP
- Fixed Private IP
- IPsec VPN
- SSL VPN



Millbeck.

Industry sectors we connect



Agriculture



Construction



BMS & Smart Cities



Energy & Utilities



Healthcare



EV Charging



Industrial IoT



Retail & Point of Sale



Security



Automotive & Logistics



Millbeck.

SIM & Hardware vendors



POYNTING

DrayTek





Millbeck.

