

# RUT276

## COMPACT REDCAP 5G ROUTER



RUT276 360° VIEW

Bring the core 5G benefits into your IoT projects with the RUT276 Redcap router. Enjoy higher throughput and lower latency than traditional 4G networks can offer, without the cost of a full 5G module. Serial RS232/RS485 interfaces enable seamless integration with industrial equipment, whereas dual SIM and automatic failover ensure always-on connection. Its industrial design and native protocol support makes it perfect for IIoT and M2M applications where continuous uptime is critical.



### REDCAP 5G

Low latency, high capacity, competitive pricing

### SERIAL INTEGRATION

Built-in RS232/RS485 to seamlessly connect with industrial equipment

### PROTOCOL-READY

Native support of Modbus, OPC UA & BACnet for industrial systems

### INDUSTRIAL DESIGN

Rugged aluminum build, wide temperature support, and flexible mounting



# RMS

## REMOTE MANAGEMENT SYSTEM

# COMPATIBLE WITH RUT276

MANAGEMENT

ALERTS

CONFIGURATION

ACCESS

FOTA

# KEY FEATURES

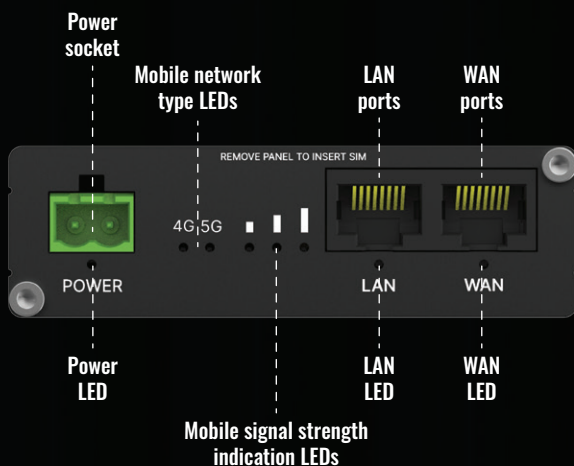
## HARDWARE

|                        |   |
|------------------------|---|
| Mobile                 | 5G Sub-6Ghz SA 223 Mbps DL , 123 Mbps UL; 4G LTE Cat 4 – LTE 195 Mbps DL, 105 Mbps UL   |
| CPU                    | Mediatek, 580 MHz, MIPS 24KEc   |
| RAM                    | 128 MB, DDR2  |
| Storage                | 32 MB, SPI Flash  |
| Powering options       | 2-pin industrial DC power socket, 9 - 57 VDC; Active PoE In: 802.3af Class 0 (12.94 W) on LAN port; Passive PoE In: over spare pairs 4,5 (+) / 7,8 (-) on LAN port, 16 - 57 VDC |
| SIM                    | 2 x SIM slots (Mini SIM – 2FF), 1.8 V/3 V, double stacked SIM tray  |
| Antenna connectors     | 2 x SMA for Mobile, 1 x RP-SMA for Wi-Fi  |
| Ethernet               | 2 x RJ45 ports, 10/100 Mbps: 1 x WAN (configurable as LAN), 1 x LAN   |
| Wi-Fi                  | IEEE 802.11b/g/n (Wi-Fi 4) Access Point (AP), Client (STA), Mesh (802.11s), Multi-AP  |
| Serial                 | 1 x 6-pin terminal block (RS232, RS485)   |
| SD card (capacity)     | Up to 2 TB  |
| Status LEDs            | 2 x Connection type status LEDs, 3 x Connection strength LEDs, 2 x LAN status LEDs, 1 x Power LED   |
| Operating temperature  | -40 °C to 75 °C   |
| Housing                | Aluminum housing  |
| Dimensions (W x H x D) | 83 x 25 x 83 mm   |
| Weight                 | 132 g   |

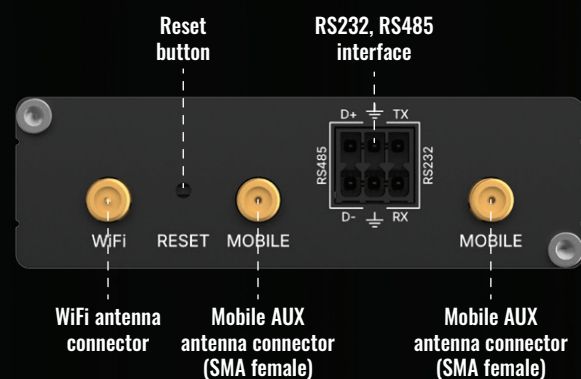
## SOFTWARE

|                           |  |
|---------------------------|--|
| Operating system          | RutOS (OpenWrt based Linux OS)   |
| Operating system          | SIM switch, Status, SMS, USSD, Block/Allow list, Multiple PDN, Band management, SIM idle protection service, SIM PIN code management, APN, Bridge, Passthrough, Framed routing |
| Wireless features         | Wi-Fi security, SSID/ESSID, Wi-Fi users, Wireless Connectivity Features, Wireless MAC filter, Wireless QR code generator, TravelMate   |
| Network features          | QoS / Smart Queue Management (SQM), DNS over HTTPS, DDNS, Network backup, Load balancing, Hotspot 2.0, SSHFS, VRF support , Traffic Management, Port Mirroring                 |
| Security                  | Firewall, Attack prevention, VLAN, Mobile quota control, WEB filter, Access control, SSL certificate generation, 802.1x  |
| VPN and tunneling         | OpenVPN, OpenVPN Encryption, IPsec, GRE, PPTP, L2TP, Stunnel, DMVPN, SSTP, ZeroTier, WireGuard, Tinc, Tailscale, Netbird, EoIP, OpenConnect                                    |
| Monitoring and Management | WEB UI, FOTA, SSH, SMS, Call, Email, TR-069, MQTT, SNMP, JSON-RPC, RMS   |
| Cloud solutions           | RMS, Cumulocity - Cloud of Things, Azure IoT Hub, AWS IoT Core   |
| Services                  | BacNET, OPC UA, Modbus, Data to Server, Modbus MQTT GATEWAY, DNP3, DLMS/COSEM, RMS API   |

### FRONT VIEW



### BACK VIEW





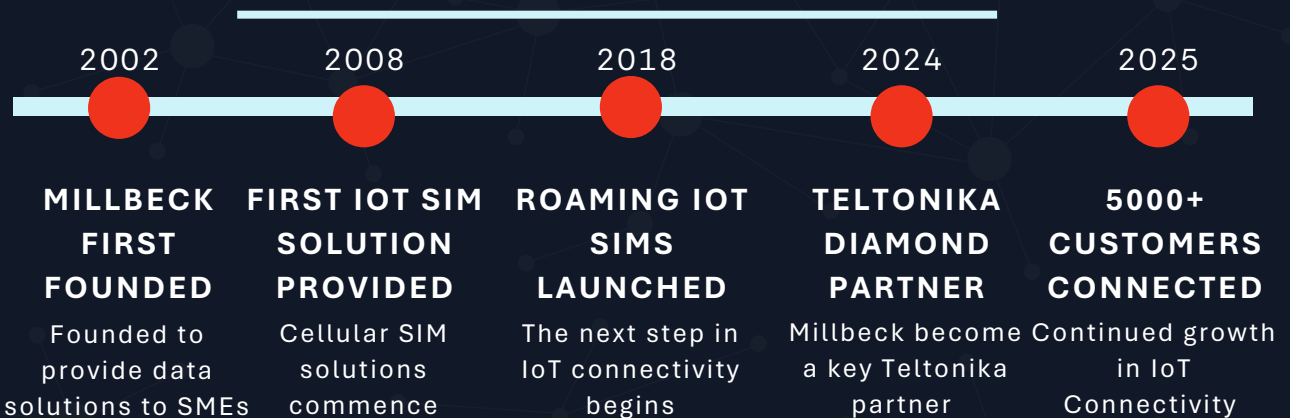
# Millbeck.

## ABOUT

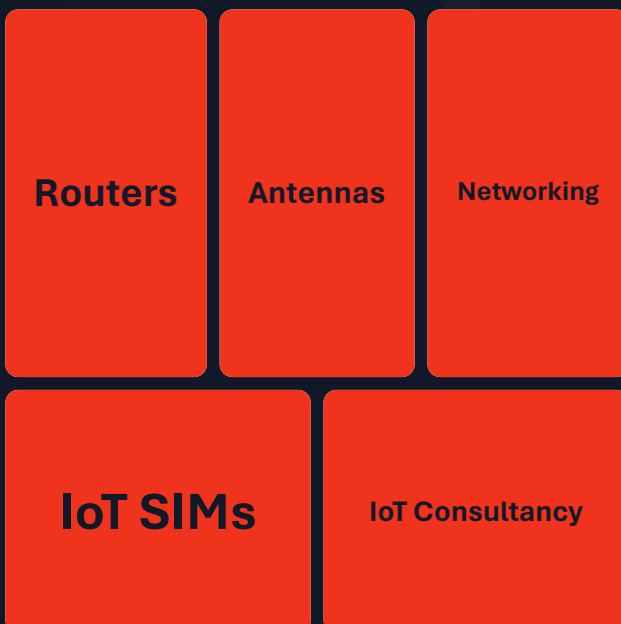
Millbeck brings over 20 years of connectivity expertise, delivering smart, secure IoT solutions that scale seamlessly, from UK based projects to global deployments.

As a Teltonika Diamond Partner, we combine global IoT SIM coverage, industrial-grade hardware, and expert support to deliver scalable, future-ready systems tailored to your exact needs.

## TIMELINE



## EXPERTISE



## SIM TECHNOLOGIES

- 2G/3G, 4G LTE, 5G, CAT-M1, LTE-M, VoLTE & NB-IoT
- eUICC
- eSIM
- Fixed Public IP
- Fixed Private IP
- IPsec VPN
- SSL VPN



# Millbeck.

## Industry sectors we connect



Agriculture



Construction



BMS & Smart Cities



Energy & Utilities



Healthcare



EV Charging



Industrial IoT



Retail & Point of Sale



Security



Automotive & Logistics



# Millbeck.

## SIM & Hardware vendors



POYNTING

*DrayTek*





# Millbeck.

