



# RUT986

## INDUSTRIAL GLOBAL LTE CAT 4 ROUTER



Industrial & automation



Energy & utilities



Enterprise



Retail



Smart city

### GLOBAL LTE

Ensure reliable global connectivity with Telit Cat 4 modem

### DUAL SIM & ESIM

Eliminate on site visits and manage carrier profiles at scale

### MULTIPLE INTERFACES

Connect IoT via 4 x Ethernet, serial (RS232 & RS485) and multiple I/Os

### INDUSTRIAL PROTOCOLS

Collect and transmit data via Modbus, DNP3, OPC UA & more

## Mobile

|                         |  |
|-------------------------|--|
| Mobile module           | 4G LTE Cat 4 up to 150 DL/50 UL Mbps; 3G up to 42 DL/5.76 UL Mbps; 2G up to 236.8 DL/236.8 UL Kbps   |
| 3GPP Release            | Release 10   |
| eSIM                    | Consumer type eSIM, profile download and removal operations, up to 7 eSIM profiles; does not include data plans  |
| SIM switch              | Dual SIM and eSIM, auto-switch cases: weak signal, data limit, SMS limit, roaming, no network, network denied, data connection fail, SIM idle protection   |
| Status                  | IMSI, ICCID, operator, operator state, data connection state, network type, bandwidth, connected band, signal strength (RSSI), SINR, RSRP, RSRQ, EC/IO, RSCP, data sent/received, LAC, TAC, cell ID, ARFCN, UARFCN, EARFCN, MCC, and MNC |
| SMS                     | SMS status, SMS configuration, EMAIL to SMS, SMS to EMAIL, SMS to HTTP, SMS to SMS, scheduled SMS, SMS autoreply, SMPP   |
| USSD                    | Supports sending and reading Unstructured Supplementary Service Data messages  |
| Block/Allow list        | Operator block/allow list (by country or separate operators)   |
| Multiple PDN            | Possibility to use different PDNs for multiple network access and services   |
| Band management         | Band lock, Used band status display  |
| SIM PIN code management | SIM PIN code management enables setting, changing, or disabling the SIM card's PIN   |
| APN                     | Auto APN   |
| Bridge                  | Direct connection (bridge) between mobile ISP and device on LAN  |
| Passthrough             | Router assigns its mobile WAN IP address to another device on LAN  |

## Wireless

|                                |  |
|--------------------------------|--|
| Wireless mode                  | 802.11b/g/n (Wi-Fi 4), Access Point (AP), Station (STA)  |
| Wi-Fi security                 | WPA2-Enterprise: PEAP, WPA2-PSK, WPA-EAP, WPA-PSK, WPA3-SAE, WPA3-EAP, OWE; AES-CCMP, TKIP, Auto-cipher modes, client separation, EAP-TLS with PKCS#12 certificates, disable auto-reconnect, 802.11w Protected Management Frames (PMF) |
| SSID/ESSID                     | SSID stealth mode and access control based on MAC address  |
| Wi-Fi users                    | Up to 100 simultaneous connections   |
| Wireless Connectivity Features | Wireless mesh (802.11s), fast roaming (802.11r), Relayd, BSS transition management (802.11v), radio resource measurement (802.11k)   |
| Wireless MAC filter            | Allowlist, blocklist   |
| Wireless QR code generator     | Once scanned, a user will automatically enter your network without needing to input login information  |
| TravelMate                     | Forward Wi-Fi hotspot landing page to a subsequent connected device  |

## Ethernet

|     |  |
|-----|--|
| WAN | 1 x WAN port 10/100 Mbps, compliance with IEEE 802.3, IEEE 802.3u, 802.3az standards, supports auto MDI/MDIX |
| LAN | 3 x LAN ports, 10/100 Mbps, compliance with IEEE 802.3, IEEE 802.3u standards, supports auto MDI/MDIX        |

## Network

|                                    |  |
|------------------------------------|--|
| Routing                            | Static routing, Dynamic routing (BGP, OSPF v2, RIP v1/v2, EIGRP, NHRP), Policy based routing   |
| Network protocols                  | TCP, UDP, IPv4, IPv6, ICMP, NTP, DNS, HTTP, HTTPS, SFTP(S), FTP, SMTP, SSL/TLS, ARP, VRRP, PPP, PPPoE, UPNP, SSH, DHCP, Telnet, SMPP, SNMP, MQTT, Wake On Lan (WOL), VXLAN   |
| VoIP passthrough support           | H.323 and SIP-alg protocol NAT helpers, allowing proper routing of VoIP packets  |
| Connection monitoring              | Ping Reboot, Wget Reboot, Periodic Reboot, LCP and ICMP for link inspection  |
| Firewall                           | Port forward, traffic rules, custom rules, TTL target customisation  |
| Firewall status page               | View all your Firewall statistics, rules, and rule counters  |
| Port management                    | View device ports, enable and disable each of them, turn auto-configuration on or off, change their transmission speed, and so on  |
| Network topology                   | Visual representation of your network, showing which devices are connected to which other devices  |
| DHCP                               | Static and dynamic IP allocation, DHCP relay, DHCP server configuration, status, static leases: MAC with wildcards   |
| QoS / Smart Queue Management (SQM) | Traffic priority queuing by source/destination, service, protocol or port, WMM, 802.11e  |
| DDNS                               | Supported >77 service providers, others can be configured manually   |
| DNS over HTTPS                     | DNS over HTTPS proxy enables secure DNS resolution by routing DNS queries over HTTPS   |
| Network backup                     | Wi-Fi WAN, Mobile, VRRP, Wired options, each of which can be used as an automatic Failover   |
| Load balancing                     | Balance Internet traffic over multiple WAN connections   |
| Hotspot                            | Captive portal (hotspot), internal/external Radius server, Radius MAC authentication, SMS authorisation, SSO authentication, internal/external landing page, walled garden, user scripts, URL parameters, user groups, individual user or group limitations, user management, 9 default customisable themes and optionality to upload and download customised hotspot themes |
| Hotspot 2.0                        | Hotspot 2.0 is a Wi-Fi standard that enables seamless, secure, and automatic connection to trusted wireless networks   |
| SSHFS                              | Possibility to mount remote file system via SSH protocol   |
| VRF support                        | Initial virtual routing and forwarding (VRF) support   |
| Traffic Management                 | Real-time monitoring, wireless signal charts, traffic usage history  |
| Port Mirroring                     | Mirroring network traffic on Ethernet ports for monitoring and analysis  |

## Security

|                      |  |
|----------------------|--|
| Authentication       | Pre-shared key, digital certificates, X.509 certificates, TACACS+, Internal & External RADIUS users authentication, IP & login attempts block, time-based login blocking, built-in random password generator |
| Firewall             | Preconfigured firewall rules can be enabled via WebUI, unlimited firewall configuration via CLI, DMZ, NAT, NAT-T, NAT64  |
| Attack prevention    | DDOS prevention (SYN flood protection, SSH attack prevention, HTTP/HTTPS attack prevention), port scan prevention (SYN-FIN, SYN-RST, X-mas, NULL flags, FIN scan attacks)                                    |
| VLAN                 | Port and tag-based VLAN separation   |
| Mobile quota control | Mobile data limit, customizable period, start time, warning limit, phone number  |
| WEB filter           | Block list for blocking out unwanted websites, allow list for specifying allowed sites only  |
| Access control       | Flexible access control of SSH, Web interface, CLI and Telnet  |
| Certificate Manager  | Certificate creation tool allows to create CA, server, client, let's encrypt, SCEP certificates  |

## VPN

|                    |   |
|--------------------|---|
| OpenVPN            | Multiple clients and a server can run simultaneously, 27 encryption methods   |
| OpenVPN Encryption | DES-CBC 64, RC2-CBC 128, DES-EDE-CBC 128, DES-EDE3-CBC 192, DESX-CBC 192, BF-CBC 128, RC2-40-CBC 40, CAST5-CBC 128, RC2-64-CBC 64, AES-128-CBC 128, AES-128-CFB 128, AES-128-CFB1 128, AES-128-CFB8 128, AES-128-OFB 128, AES-128-GCM 128, AES-192-CFB 192, AES-192-CFB1 192, AES-192-CFB8 192, AES-192-OFB 192, AES-192-CBC 192, AES-192-GCM 192, AES-256-GCM 256, AES-256-CFB 256, AES-256-CFB1 256, AES-256-CFB8 256, AES-256-OFB 256, AES-256-CBC 256 |
| IPsec              | XFRM, IKEv1, IKEv2, with 14 encryption methods for IPsec (3DES, DES, AES128, AES192, AES256, AES128GCM8, AES192GCM8, AES256GCM8, AES128GCM12, AES192GCM12, AES256GCM12, AES128GCM16, AES192GCM16, AES256GCM16)  |
| GRE                | GRE tunnel, GRE tunnel over IPsec support   |
| PPTP, L2TP         | Client/Server instances can run simultaneously, L2TPv3, L2TP over IPsec support   |
| Stunnel            | Proxy designed to add TLS encryption functionality to existing clients and servers without any changes in the program's code  |
| DMVPN              | Method of building scalable IPsec VPNs, Phase 2 and Phase 3 and Dual Hub support  |
| SSTP               | SSTP client instance support  |
| ZeroTier           | ZeroTier VPN client support   |
| WireGuard          | WireGuard VPN client and server support   |
| Tinc               | Tinc offers encryption, authentication and compression in it's tunnels. Client and server support.  |
| EoIP               | Ethernet over IP (EoIP) Tunneling is a MikroTik RouterOS protocol based on GRE RFC 1701 that creates an Ethernet tunnel between two routers on top of an IP connection  |
| OpenConnect        | Cross-platform multi-protocol SSL VPN client which supports a number of VPN protocols   |

**BacNET**

---

|                            |   |
|----------------------------|---|
| Supported modes            | Router  |
| Supported connection types | RS485, TCP  |
| Configuration options      | Support for multiple BACnet/IP interfaces, Network number assignment, Preconfigured BDT entries for BBMD (BACnet Broadcast Management Device) |

---

**OPC UA**

---

|                            |                |
|----------------------------|----------------|
| Supported modes            | Client, Server |
| Supported connection types | TCP            |

---

**MODBUS**

---

|                            |  |
|----------------------------|--|
| Supported modes            | Server, Client   |
| Supported connection types | RTU (RS232, RS485), TCP, USB   |
| Custom registers           | MODBUS TCP custom register block requests, which read/write to a file inside the router, and can be used to extend MODBUS TCP Client functionality |
| Supported data formats     | 8-bit: INT, UINT; 16-bit: INT, UINT (MSB or LSB first); 32-bit: float, INT, UINT (ABCD (big-endian), DCBA (little-endian), CDAB, BADC), HEX, ASCII |

---

**Data to Server**

---

|          |                           |
|----------|---------------------------|
| Protocol | HTTP(S), MQTT, Azure MQTT |
|----------|---------------------------|

---

**MQTT Gateway**

---

|                     |   |
|---------------------|---|
| Modbus MQTT Gateway | Allows sending commands and receiving data from MODBUS Server through MQTT broker |
|---------------------|---|

---

**DNP3**

---

|                            |                        |
|----------------------------|------------------------|
| Supported modes            | Station, Outstation    |
| Supported connection types | RS232, RS485, TCP, USB |

---

**DLMS/COSEM**

---

|                            |  |
|----------------------------|--|
| DLMS Support               | DLMS - standard protocol for utility meter data exchange |
| Supported modes            | Client   |
| Supported connection types | RS232, RS485, TCP  |

---

**API**

---

|   |   |
|---|---|
| Teltonika Networks Web API (beta) support | Expand your device's possibilities by using a set of configurable API endpoints to retrieve or change data. For more information, please refer to this documentation: <a href="https://developers.teltonika-networks.com">https://developers.teltonika-networks.com</a> |
|---|---|

---

## Monitoring & Management

|          |   |
|----------|---|
| WEB UI   | HTTP/HTTPS, status, configuration, FW update, CLI, troubleshoot, multiple event log servers, firmware update availability notifications, event log, system log, kernel log, Internet status |
| FOTA     | Firmware update from server, automatic notification   |
| SSH      | SSH (v1, v2)  |
| SMS      | SMS status, SMS configuration   |
| Call     | Reboot, Status, Mobile data on/off, Output on/off, answer/hang-up with a timer, Wi-Fi on/off  |
| TR-069   | OpenACS, EasyCwmp, ACSLite, tGem, LibreACS, GenieACS, FreeACS, LibCWMP, Friendly tech, AVSystem   |
| MQTT     | MQTT Broker, MQTT publisher   |
| SNMP     | SNMP (v1, v2, v3), SNMP Trap, Brute force protection  |
| JSON-RPC | Management API over HTTP/HTTPS  |
| RMS      | Teltonika Remote Management System (RMS)  |

## IoT Platforms

|                              |   |
|------------------------------|---|
| ThingWorx                    | Allows monitoring of: WAN Type, WAN IP, Mobile Operator Name, Mobile Signal Strength, Mobile Network Type   |
| Cumulocity - Cloud of Things | Allows monitoring of: Device Model, Revision and Serial Number, WAN Type and IP, Mobile Cell ID, ICCID, IMEI, Connection Type, Operator, Signal Strength. Has reboot and firmware upgrade actions   |
| Azure IoT Hub                | Can be configured with Data to Server to send all the available parameters to the cloud. Has Direct method support which allows to execute RutOS API calls on the IoT Hub. Also has Plug and Play integration with Device Provisioning Service that allows zero-touch device provisioning to IoT Hubs |
| AWS IoT Core                 | Utility to interact with the AWS cloud platform. Jobs Support: Call the device's API using AWS Jobs functionality   |

## System Characteristics

|               |                               |
|---------------|-------------------------------|
| CPU           | Mediatek, 580 MHz, MIPS 24KEc |
| RAM           | 128 MB, DDR2                  |
| FLASH storage | 32 MB, NOR Flash              |

### Firmware/Configuration

|                        |   |
|------------------------|---|
| WEB UI                 | Update FW from file, check FW on server, configuration profiles, configuration backup   |
| FOTA                   | Update FW   |
| RMS                    | Update FW/configuration for multiple devices at once  |
| Keep settings          | Update FW without losing current configuration  |
| Factory settings reset | A full factory reset restores all system settings, including the IP address, PIN, and user data to the default manufacturer's configuration |

### FIRMWARE CUSTOMISATION

|                     |   |
|---------------------|---|
| Operating system    | RutOS (OpenWrt based Linux OS)  |
| Supported languages | Busybox shell, Lua, C, C++  |
| Development tools   | SDK package with build environment provided   |
| GPL customization   | You can create your own custom, branded firmware and web page application by changing colours, logos, and other elements in our firmware to fit your or your clients' needs |
| Package Manager     | The Package Manager is a service used to install additional software on the device  |

### Location Tracking

|                 |  |
|-----------------|--|
| GNSS            | GPS, GLONASS, BeiDou, Galileo and QZSS                             |
| Coordinates     | GNSS coordinates via WebUI, SMS, TAVL, RMS                         |
| NMEA            | NMEA 0183  |
| NTRIP           | NTRIP protocol (Networked Transport of RTCM via Internet Protocol) |
| Server software | Supported server software TAVL, RMS                                |
| Geofencing      | Configurable multiple geofence zones                               |

### Serial

|                  |   |
|------------------|---|
| RS232            | DB9 connector, RS232 (with RTS, CTS flow control)                           |
| RS485            | RS485 Full Duplex (4 wires) and Half Duplex (2 wires). 300-115200 baud rate |
| Serial functions | Console, Serial over IP, Modem, MODBUS gateway, NTRIP Client                |

### USB

|                  |   |
|------------------|---|
| Data rate        | USB 2.0   |
| Applications     | Samba share, USB-to-serial  |
| External devices | Possibility to connect external HDD, flash drive, additional modem, printer, USB-serial adapter |
| Storage formats  | FAT, FAT32, exFAT, NTFS (read-only), ext2, ext3, ext4   |

**Input/Output**

|                  |  |
|------------------|--|
| Input            | 1 x digital dry input (0 - 3 V), 1 x digital galvanically isolated input (0 - 30 V), 1 x analog input (0 - 24 V; with 4-20 mA capability), 1 x Digital non-isolated input (on 4-pin power connector, 0 - 5 V detected as logic low, 8 - 30 V detected as logic high) |
| Output           | 1 x digital open collector output (30 V, 250 mA), 1 x SPST relay output (40 V, 4 A), 1 x Digital open collector output (30 V, 300 mA, on 4-pin power connector)  |
| Events           | Email, RMS, SMS  |
| Configurable I/O | Allows to set certain I/O conditions to initiate event   |

**SD CARD**

|                 |   |
|-----------------|---|
| Physical size   | Micro SD (internal)                         |
| Applications    | Samba share, Storage Memory Expansion, DLNA |
| Capacity        | Up to 2 TB                                  |
| Storage formats | FAT32, NTFS, ext2, ext3, ext4               |

**Power**

|                     |   |
|---------------------|---|
| Connector           | 4-pin industrial DC power socket  |
| Input voltage range | 9 – 30 VDC, reverse polarity protection; surge protection >31 VDC 10us max  |
| PoE (passive)       | Passive PoE over spare pairs. Possibility to power up through LAN1 port, not compatible with IEEE802.3af, 802.3at and 802.3bt standards, Mode B, 9 - 30 VDC |
| Power consumption   | < 2 W idle, < 7 W Max   |

**Physical Interfaces**

|              |   |
|--------------|---|
| Ethernet     | 4 x RJ45 ports, 10/100 Mbps   |
| I/O's        | 2 x Inputs and 2 x Outputs on 10-pin industrial socket, 1 x Digital input and 1 x Digital output on 4-pin power connector |
| Status LEDs  | 1 x Bi-color connection status, 5 x Mobile connection strength, 4 x ETH status, 1 x Power                                 |
| SIM          | 2 x SIM slots (Mini SIM - 2FF), 1.8 V/3 V, external SIM holders, eSIM   |
| Power        | 1 x 4-pin power connector   |
| Input/output | 1 x 10-pin industrial socket for inputs/outputs   |
| Antennas     | 2 x SMA for LTE, 2 x RP-SMA for Wi-Fi, 1 x SMA for GNSS   |
| USB          | 1 x USB A port for external devices   |
| RS232        | 1 x DB9 socket  |
| RS485        | 1 x 6-pin industrial socket   |
| Reset        | Reboot/User default reset/Factory reset button  |

### Physical Specification

|                        |   |
|------------------------|---|
| Casing material        | Aluminium housing, plastic panels                               |
| Dimensions (W x H x D) | 110 x 50 x 100 mm   |
| Weight                 | 294 g   |
| Mounting options       | DIN rail, wall mount, flat surface (all require additional kit) |

### Operating Environment

|                           |                           |
|---------------------------|---------------------------|
| Operating temperature     | -40 °C to 65 °C           |
| Operating humidity        | 10% to 95% non-condensing |
| Ingress Protection Rating | IP30                      |

### Regulatory & Type Approvals

|            |  |
|------------|--|
| Regulatory | CE, UKCA, EAC, UCRF, FCC, ISED (IC), RCM, CB |
|------------|--|

### EMC Emissions & Immunity

|           |   |                             |
|-----------|---|-----------------------------|
| Standards | <b>CE/UKCA:</b><br>EN 55032: 2015+A11:2020+A1:2020<br>EN 55035: 2017+A11:2020<br>EN 61000-3-3: 2013+ A1:2019+A2:2021<br>EN IEC 61000-3-2: 2019+A1:2021+A2:2024<br>EN 301 489-1 V2.2.3<br>EN 301 489-17 V3.3.1<br>EN 301 489-19 V2.2.1<br>EN 301 489-52 V1.2.1 |                             |
|           | <b>RCM:</b><br>AS/NZS CISPR 32: 2015+A1:2020  |                             |
|           | <b>FCC:</b><br>47 CFR Part 15 Subpart B   |                             |
|           | <b>ISED (IC):</b><br>ICES-003: Issue 7 (October 2020)   |                             |
|           | ESD   | EN 61000-4-2:2009           |
|           | Radiated Immunity   | EN 61000-4-3:2020           |
|           | EFT   | EN 61000-4-4:2012           |
|           | Surge Immunity (AC Mains Power Port)  | EN 61000-4-5:2014 + A1:2017 |
|           | CS  | EN 61000-4-6:2014           |
|           | DIP   | EN 61000-4-11:2020          |

**RF**

---

|           |   |
|-----------|---|
| Standards | <b>CE/UKCA:</b><br>EN 300 328 V2.2.2<br>EN 301 511 V12.5.1<br>EN 301 908-1 V15.2.1<br>EN 301 908-2 V13.2.1<br>EN 301 908-13 V13.2.1<br><b>RCM:</b><br>AS/NZS 4268:2017+A1:2021<br>AS/NZS 2772.2:2016+A1:2018<br>ARPANSA RPS S-1 Radiation Protection Series S-1 (Rev. 1)<br><b>FCC:</b><br>47 CFR Part 15 Subpart C - § 15.247<br>FCC Rules 47 CFR §2.1091<br>KDB 447498 D04 interim General RF Exposure Guidance v01<br><b>ISED (IC):</b><br>RSS-247 Issue 3, August 2023<br>RSS-Gen Issue 5 Amendment 2 (February 2021)<br>RSS-102 Issue 6, December 15, 2023 |
|-----------|---|

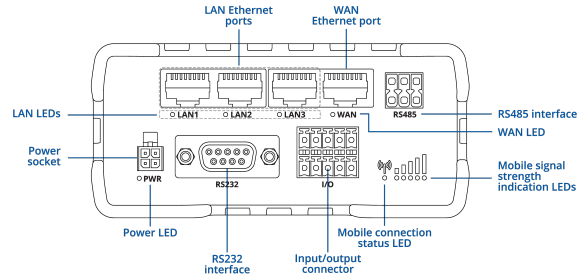
**Safety (Ordinary Locations)**

---

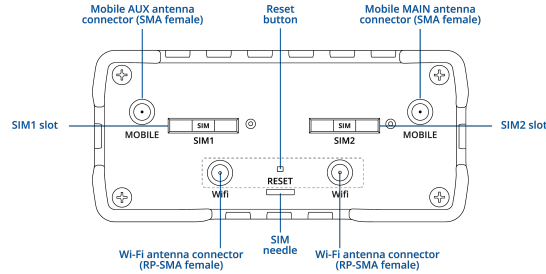
|           |  |
|-----------|--|
| Standards | <b>CE:</b> EN IEC 62311:2020<br><b>RCM:</b> AS/NZS 62368.1:2022<br><b>CB:</b> EN IEC 62368-1:2020+A11:2020 |
|-----------|--|

## Hardware

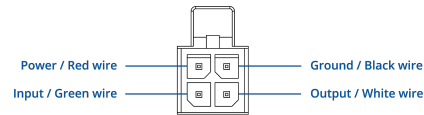
### FRONT VIEW



### BACK VIEW



### POWER SOCKET PINOUT



## Ordering

Standard package\*



RUT986



QUICK START GUIDE



9 W PSU



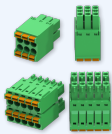
2 X MOBILE MAGNETIC  
SMA ANTENNAS



2 X WI-FI MAGNETIC SMA  
ANTENNAS



GNSS ADHESIVE SMA  
ANTENNA



CONNECTORS SET



ETHERNET CABLE 1.5M



SIM ADAPTER KIT

\*Standard package contents may differ based on standard order codes.

For more information on all available packaging options – please [contact us](#) directly.

## Classification codes

**HS Code:** 851762

**HTS:** 8517.62.00

### Available versions

---

|  |  |   |
|--|--|---|
| RUT986<br>O****<br>Global <sup>1</sup> | <b>4G:</b> B1, B2, B3, B4, B5, B7, B8,<br>B8_US, B9, B12, B13, B14, B18, B19,<br>B20, B25, B26, B28<br><b>3G:</b> B1, B2, B4, B5, B6, B8, B19<br><b>2G:</b> B2, B3, B5, B8 | RUT986000000 /<br>Standard package with<br>EU PSU<br>RUT986000200 /<br>Standard package with<br>UK PSU<br>RUT986000300 /<br>Standard package with<br>US PSU<br>RUT986000400 /<br>Standard package with<br>AU PSU<br>RUT986000500 / Mass<br>packing code |
|--|--|---|

## RUT986 spatial measurements

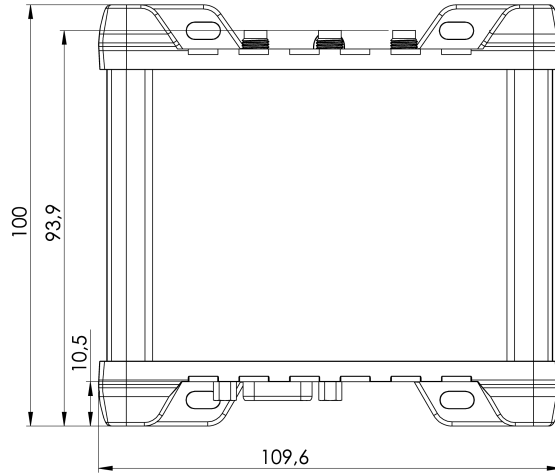
### Available versions

---

|                                |                   |
|--------------------------------|-------------------|
| Box (W x H x D):               | 355 x 60 x 175 mm |
| Device housing (W x<br>H x D)* | 110 x 50 x 100 mm |

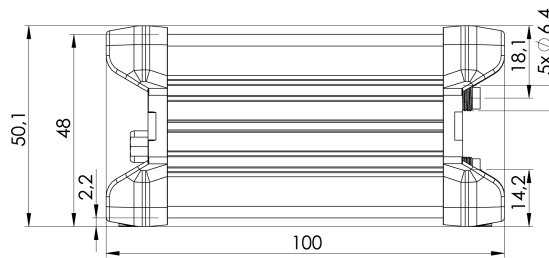
**TOP VIEW**

The figure below depicts the measurements of device and its components as seen from the top:



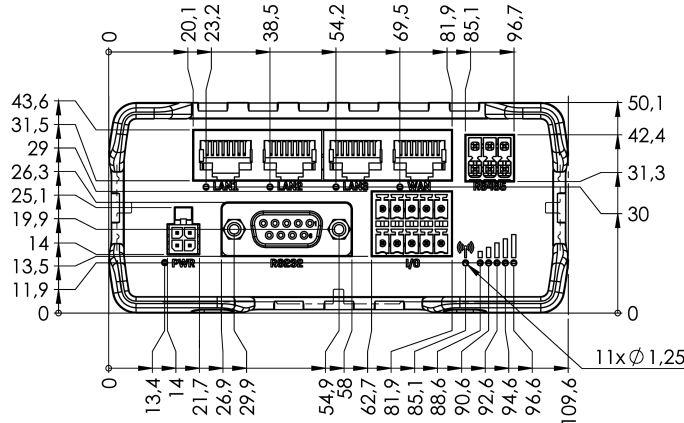
**RIGHT VIEW**

The figure below depicts the measurements of device and its components as seen from the right side:



**FRONT VIEW**

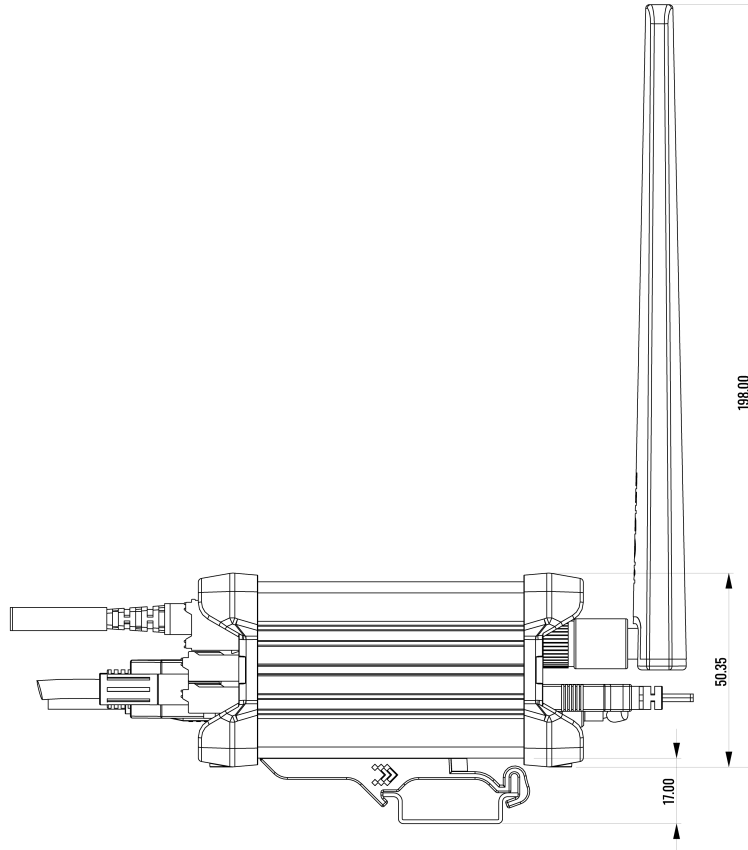
The figure below depicts the measurements of device and its components as seen from the front panel side:





### DIN RAIL

The scheme below depicts protrusion measurements of an attached DIN Rail:





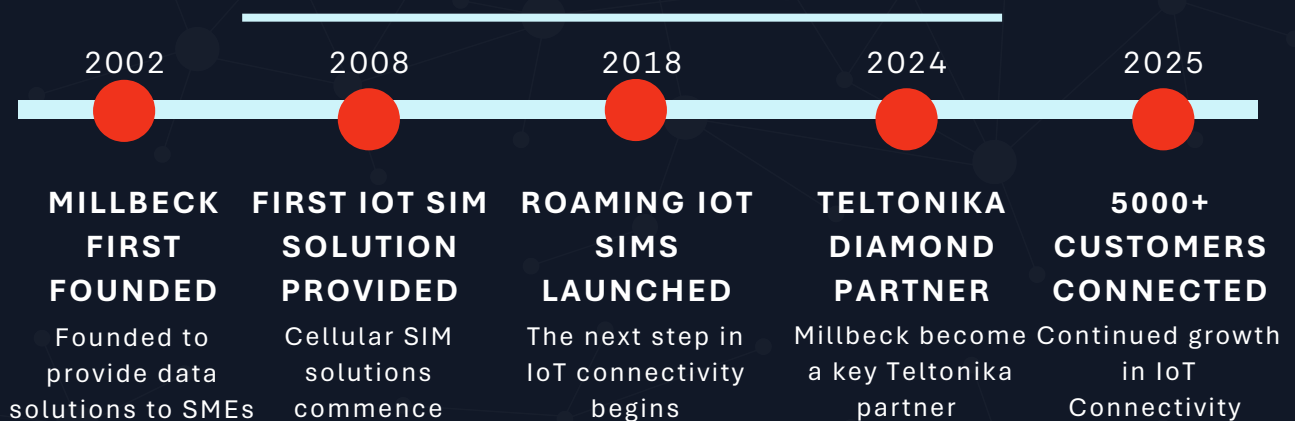
# Millbeck.

## ABOUT

Millbeck brings over 20 years of connectivity expertise, delivering smart, secure IoT solutions that scale seamlessly, from UK based projects to global deployments.

As a Teltonika Diamond Partner, we combine global IoT SIM coverage, industrial-grade hardware, and expert support to deliver scalable, future-ready systems tailored to your exact needs.

## TIMELINE



## EXPERTISE



## SIM TECHNOLOGIES

- 2G/3G, 4G LTE, 5G, CAT-M1, LTE-M, VoLTE & NB-IoT
- eUICC
- eSIM
- Fixed Public IP
- Fixed Private IP
- IPsec VPN
- SSL VPN



# Millbeck.

## Industry sectors we connect



Agriculture



Construction



BMS & Smart Cities



Energy & Utilities



Healthcare



EV Charging



Industrial IoT



Retail & Point of Sale



Security



Automotive & Logistics



# Millbeck.

## SIM & Hardware vendors



POYNTING

*DrayTek*





# Millbeck.

