

blue



BLUE Electric 250

Advanced Lithium-Powered Handling



Lithium Power



Fast Charging



4.5m Mast



1,220mm Forks



Suspension Seat



Pneumatic Tyres



LED Work Lights



Blue Safety Light



Wide-View Mast

BLUE ELECTRIC 250

The FB series lithium-ion forklifts are a newly developed, high performance, cost-effective electric forklift.

Featuring the latest electric forklift frame design and a mature 80V AC system, it combines the advantages of both electric and internal combustion forklifts.

The vehicle has a lower center of gravity, smaller dimensions, better performance and more flexible operation.

*Lift smarter.
Move faster. Stay in control.*



Whole-Forklift Warranty Protection

Every Blue Electric forklift is backed by a 5-Year / 10,000-Hour Warranty covering the complete machine. From the lithium-ion battery to key operating systems, Blue stands behind the entire forklift.

Complete machine protection. Built in.



Lithium Battery Included

The lithium-ion battery is included as part of the complete machine warranty.

Battery included. Confidence delivered.



Lower Ownership Risk

Blue's 5-Year / 10,000-Hour Warranty helps reduce ownership risk and support long-term reliability.

Blue stands behind the whole forklift.



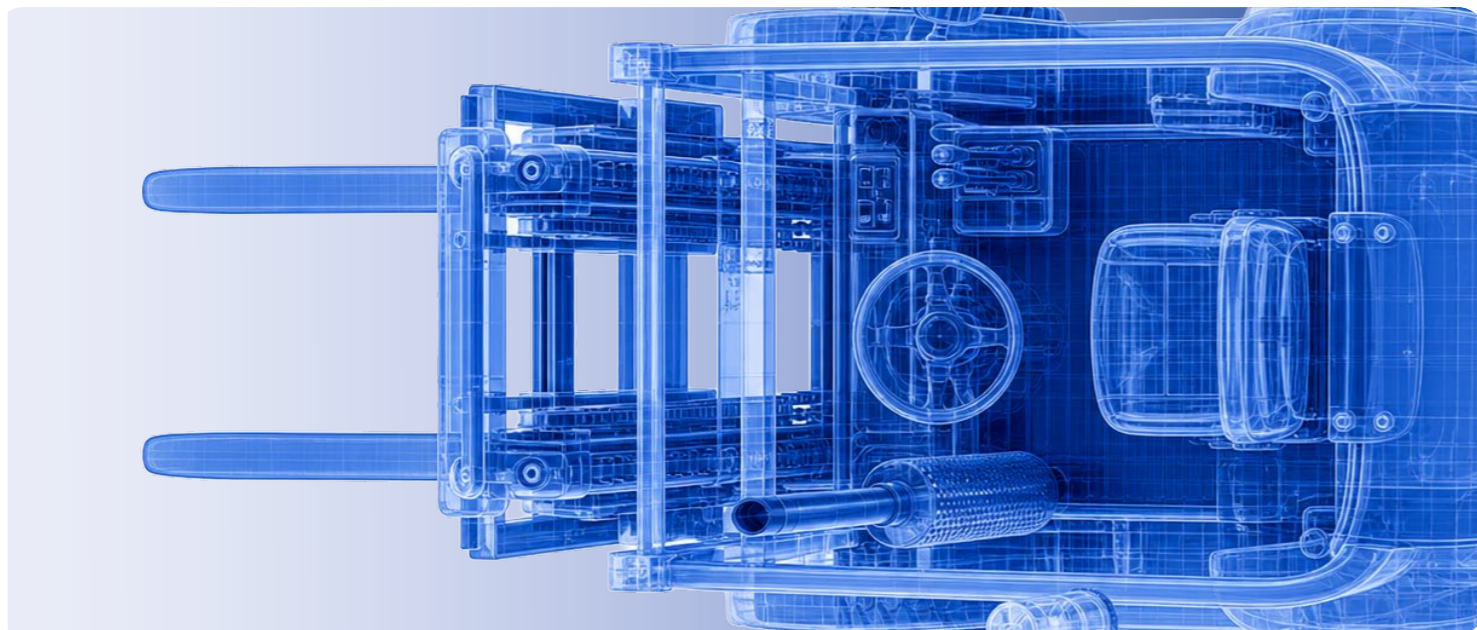
Complete Machine Cover

Whole-forklift warranty coverage designed to protect your investment. Built to support uptime, reliability, and lower ownership costs.

Complete forklift support, built in.

Technology Systems

Advanced technologies integrated into the Blue Electric range, designed to improve safety, operator control, and workplace awareness.



Facial ID Intelligent Operator Control



Why it matters:

Blue Facial uses facial recognition technology to verify operator identity before machine operation. The system restricts access to authorised personnel only, helping prevent unauthorised use, improve operator accountability, and support workplace safety compliance. Access records can also assist with fleet management and operator responsibility across multi-user environments.



Ideal Applications & Environments:

- Shared forklift fleets
- Multi-shift operations
- Warehouses with multiple operators
- Facilities with strict safety requirements
- Businesses requiring operator accountability



Benefits:

- Contactless facial recognition
- Controlled machine access
- Operator usage tracking
- Reduced risk of misuse and damage



Blue 360° Camera Full-Surround Awareness



Why it matters:

The Blue 360° Camera System uses multiple wide-angle cameras to create a real-time bird's-eye view of the forklift and surrounding work area. By eliminating blind spots around the truck, operators gain greater awareness when manoeuvring in narrow aisles, working around pedestrians, and handling loads at height. This improves operational safety, reduces collision risk, and supports more confident load handling in busy warehouse environments.



Ideal Applications & Environments:

- Warehouses with narrow aisles and high racking
- Distribution centres and logistics hubs
- Manufacturing facilities with pedestrian traffic
- Precise load placement at height
- Busy indoor operations where visibility is critical



Benefits:

- Real-time stitched 360° camera view
- Improved operator awareness and confidence
- Reduced blind spots and collision risk
- Safer, more accurate load handling



Blue Dot Three-Side Visual Warning System



Why it matters:

The rear-mounted three-dot blue safety light projects a highly visible warning pattern onto the floor behind the forklift, providing an early visual alert of approaching equipment. Unlike audible alarms that can be lost in noisy environments, the projected warning remains clearly visible, helping improve pedestrian awareness and reduce the risk of reversing incidents in busy work areas.



Ideal Applications & Environments:

- Warehouses and distribution centres
- Loading docks and freight terminals
- Manufacturing facilities
- Shared pedestrian and vehicle zones
- High-noise operating environments



Benefits:

- Three-dot rear warning projection
- Increased pedestrian awareness
- Enhanced reversing safety
- Improved visibility in busy environments
- Reduced collision risk

BLUE ELECTRIC 250

Features



Detailed technical data outlining the machine's performance and key operational capabilities.

A Built to Perform. Designed to Deliver.

Powerful, reliable and easy to operate, the Blue Electric forklift helps businesses move more, reduce downtime and maximise productivity across warehouses, factories and distribution centres.



Built for maximum



Zero Emission



Suitable for indoors and outdoors

01



New reinforced wide view mast

Provides excellent forward visibility of loads, forks, and the work area. Reinforced high-strength steel construction improves rigidity and load-handling stability.

05



LED Lighting System

Energy-efficient LED lighting delivers brighter visibility, lower power consumption, and extended service life.

02



Side roller wheel

The side roller design reduces mast vibration and improves stability during lifting, helping deliver smoother operation and enhanced durability.

06



Wide-Opening Stamped Hood

Wide-opening hood design provides fast access to the battery, hydraulic pump, motor, and control components, reducing maintenance time.

03



Intelligent Start System

Uses a two-level start system with electric lock and cardswipe to prevent unauthorized operation and ensure safety.

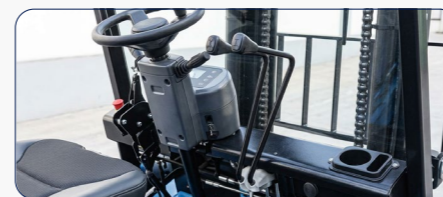
07



IP54-Rated Electrical Protection

Key electrical components are protected by an IP54-rated sealed design, helping prevent dust and water ingress for reliable operation in demanding environments.

04



Advanced Ergonomics

Operator space is increased by 20% compared to traditional forklifts. Low-torque steering and an adjustable steering wheel improve comfort and control.

BLUE ELECTRIC 250

Features



Detailed technical data outlining the machine's performance and key operational capabilities.

B Built to Outperform.

Engineered for demanding applications, delivering the power, uptime, and efficiency modern operations depend on.



Fast Charging



Charge & use on demand



Strong driving Force



Lithium

08



Maintenance-free steering axle

Featuring a sealed bearing design for smoother handling, improved durability, and reduced maintenance requirements.

12



Seat power-off + OPS protection

The seat is equipped with a sensing function, which automatically cuts off the power when leaving the seat, cutting off the mast's lowering and walking functions, making driving and riding safer.

09



Efficient Gearbox

Direct-drive gearbox delivers efficient power transfer, reduced energy loss, and improved operating efficiency.

13



New Body Design

The power battery is placed under the chassis, lowering the center of gravity, enhancing stability, and ensuring safer driving.

10



Load sensing hydraulic system

Automatically adjusts hydraulic flow to demand for smoother operation, faster response, and improved efficiency.

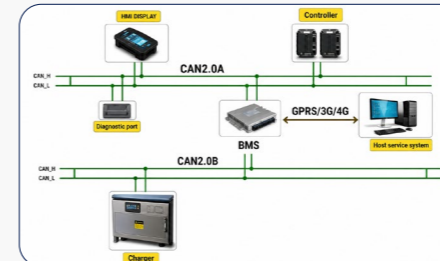
14



Lithium System

Featuring high-efficiency lithium battery technology with 1.5–2 hour fast charging and 90%+ energy efficiency. Built for charging on demand, it delivers dependable performance, 80%+ capacity retention, and is backed by a 5-year / 10,000-hour warranty for long-term confidence and maximum uptime.

11



Intelligent Controller + LCD Display

Real-time monitoring and diagnostics provide greater control, improved reliability, and faster fault detection.

FB20-38 Electric Counterbalanced Forklift

BASIC TECHNICAL PARAMETERS

Model		FB20	FB25	FB30	FB35	FB38
Configuration number		\	\	\	\	\
Power type		Electric	Electric	Electric	Electric	Electric
Voltage plateau	V	80	80	80	80	80
Operation type		Seat	Seat	Seat	Seat	Seat

PERFORMANCE

Rated load lifting capacity	kg	2000	2500	3000	3500	3800
Rated load center distance	mm	500	500	500	500	500
Front overhang	mm	460	460	475	480	490
Rear overhang	mm	415	415	470	470	470
Wheelbase	L4 mm	1650	1650	1750	1750	1750
Overweight(with/no battery)	kg	3200/3020	3500/3320	4250/4050	4550/4350	4850/4610
Axle load full load(front/rear)	kg	4730/470	5460/540	6570/680	7220/830	8157/493
Axle load no load(front/rear)	kg	1410/1790	1540/1960	1880/2370	1820/2730	2996/1854

DIMENSIONS

Tire type		Pneumatic tire	Pneumatic tire	Pneumatic tire	Pneumatic tire	Pneumatic tire
Number of wheels (x=drive wheels)		2x/2	2x/2	2x/2	2x/2	2x/2
Front tire specifications		7.00-12-12PR	7.00-12-12PR	28x9-15-14PR	28x9-15-14PR	28x9-15-14PR
Rear tire specifications		6.00-9-10PR	6.00-9-10PR	6.50-10-10PR	6.50-10-10PR	6.50-10-10PR
Front track width	W1 mm	970	970	1000	1000	1000
Rear track width	W2 mm	960	960	970	970	970
Mast tilt angle (front/rear)	a/β °	6/12	6/12	6/12	6/12	6/12
Mast retraction height	H1 mm	2005	2005	2070	2125	2125
Free lift height	H5 mm	130	130	135	140	145
Max. lift height	H mm	3000	3000	3000	3000	3000
Max. height during operation	H2 mm	4035	4035	4230	4230	4230
Overall height(overhead guard)	H3 mm	2125	2125	2145	2145	2145
Length (to the vertical plane of the fork)	L mm	2535	2535	2695	2700	2700
Width	W mm	1170	1170	1230	1230	1230
Fork size(H*W*L)	mm	1070×122×40	1070×122×40	1070×122×45	1070×122×50	1070×122×50
Outer distance between forks (min/max)	mm	250-1040	250-1040	250-1085	250-1085	250-1085
Mast ground clearance(no load)	H4 mm	110	110	115	115	115
Min. ground clearance		115	115	130	130	130
Min. turning radius	mm	2335	2335	2500	2500	2500
Max. travelling speed (full load/no load)	km/h	14/15	14/15	15/16	15/16	15/16
Max. lift speed (full load/no load)	mm/s	330/400	300/400	320/380	300/380	320/370
Lowering speed(full load/no load)	mm/s	470/450	470/450	450/410	450/410	380/370
Max. traction	N	15000	15000	16500	16500	23000
Gradeability (full load/no load)	%	18/20	15/20	20/20	15/20	18/25

OTHER PARAMETERS

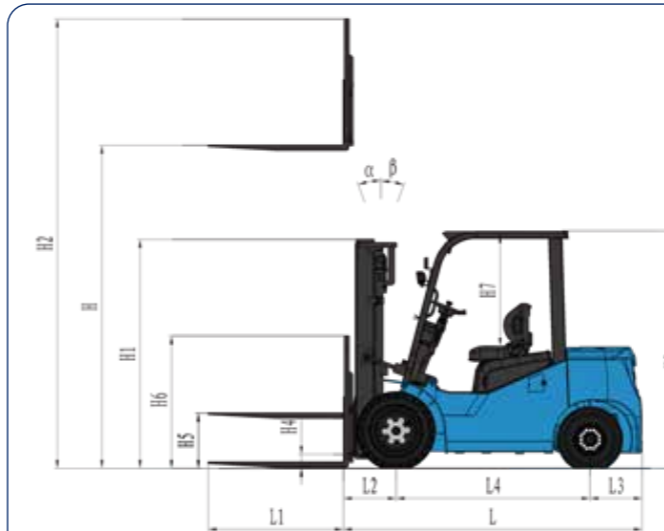
Service braking (mechanical, electronic, hydraulic)		Hydraulic	Hydraulic	Hydraulic	Hydraulic	Hydraulic
Parking brake (mechanical, electronic, hydraulic)		Mechanical	Mechanical	Mechanical	Mechanical	Mechanical
Rated power of traction motor, S2 60min working system	kW	8AC	8AC	10AC	10AC	12AC
Rated power of oil pump motor, S3 15% working system	kW	10AC	10AC	16AC	16AC	21AC
Motor type/protection level		ac asynchronous/IP54	ac asynchronous/IP54	ac asynchronous/IP54	ac asynchronous/IP54	ac asynchronous/IP54

MOTOR AND CONTROLLER

Battery type		lithium iron phosphate battery	lithium iron phosphate battery	lithium iron phosphate battery	lithium iron phosphate battery	lithium iron phosphate battery
Standard battery voltage/capacity	V/Ah	76.8/150	76.8/150	76.8/202	76.8/202	76.8/280
Standard battery weight	kg	180	180	200	200	240
Heating form/protection level of battery		Low temperature heating/IP54	Low temperature heating/IP54	Low temperature heating/IP54	Low temperature heating/IP54	Low temperature heating/IP54
MCU motor controller type		MOSFET/AC	MOSFET/AC	MOSFET/AC	MOSFET/AC	MOSFET/AC
MCU motor controller manufacturer		JIACHEN	JIACHEN	JIACHEN	JIACHEN	JIACHEN
MCU motor controller model		ACM III 80C350	ACM III 80C350	ACM III 80C350	ACM III 80C350	ACM III 80C450
Hydraulic system working pressure	Mpa	18.5	18.5	18.5	18.5	18.5

*Due to the continuous updating and improvement of products, we reserve the right to change the parameters and design without prior notice. The product configuration and appearance color in the photos may be different from the actual model, please refer to the actual product.

Contour

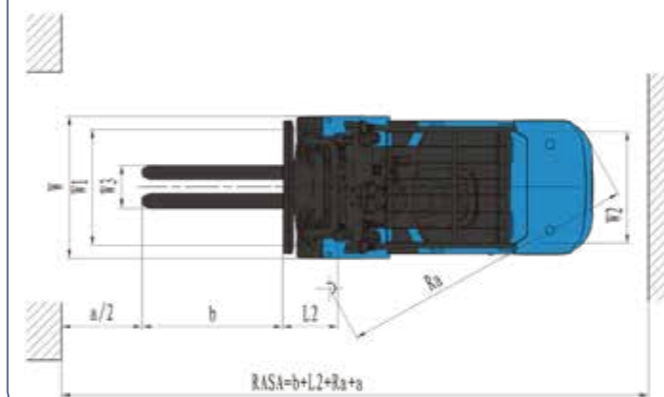


RASA:Right Angle Stacking Aisle Width (RASA)= R + L2 + b + a

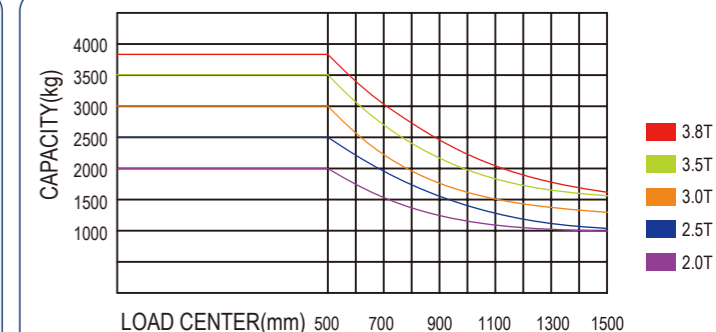
a:Safety Clearance

b:Load Length

v:Turning radius(inside)



Load Curve



Note: The vertical axis represents the load capacity, and the horizontal axis represents the load center. The load center is calculated from the front of the fork, and the base point of the standard load refers to the center of a cube with a side length of 1000 mm. When the mast is tilted forward, using non-standard forks or loading a load that exceeds the normal width, the load capacity will be reduced. The load curve diagram provides a timely understanding of the load carrying capacity at various load centers.

Optional Configuration

Charger	four-way valve	forks of other lengths	solid tires
rear work lights	front dual tires	triplex full free mast	triplex full free mast
Suspended seat	Alarm lamp	fire extinguisher	cab
widened or heightened load backrest	duplex full free mast	front windshield(with wiper)	

Optional Working Devices

Side shifter	Roll Clamp	Rotary holding clamp	Rotary fork clamp
Load stabilizer	Fork crown cover	Barrel grab	Bale Clamp
Craton Clamp	Fork Positioner	Push-puller	Tilting shifter
Side-shifter	Cargo boom	Cargo boom	Spinner

Standard Configuration

Standard duplex mast	standard fork	fork rack	integrated combination switch	lifting and tilting control lever	speed mode selection
load backrest	silent gear pump	multi-function control instrument	emergency power off switch	reversing buzzer	traction pin
Oil pump controller	LED headlights	steering indicator	central rearview mirror	Drive controller	Standard Lithium iron phosphate battery
LED rear combination lamp	integral rubber pedal pad	two-way multi way valve	Standard seat	Hoisting Battery Exchange	on-board tool box
Rain Canopy	Phone Storage Box	Cup Holder			

Special Options For Mast

Full free duplex mast	Full free triplex mast	Widen fork	Extended load-backrest	Extended fork	Special fork
-----------------------	------------------------	------------	------------------------	---------------	--------------

Battery Configuration

Applications	Battery type	Standard	Optional configuration	Optional configuration	Optional configuration	Optional configuration
HK Series 2-2.5t	Lithium battery(76.8V)	150AH	202AH	280AH	346AH	404AH
HK Series 3-3.5t	Lithium battery(76.8V)	202AH	280AH	346AH	404AH	460AH
HK Series 3.8t	Lithium battery(76.8V)	280AH	346AH	404AH	460AH	\

2.0-3.8t Wide View Mast

Maximum lifting height	Height of mast															Free lift height										Mast tilt angle			rated load				
	The height of mast at lowest position					mast extension height										with load-backrest					without load-backrest					Front/Rear			Load center distance500mm				
						with load-backrest					without load-backrest																						
	2t	2.5t	3t	3.5t	3.8t	2t	2.5t	3t	3.5t	3.8t	2t	2.5t	3t	3.5t	3.8t	2t	2.5t	3t	3.5t	3.8t	2t	2.5t	3t	3.5t	3.8t	2/2.5t	3/3.5t	3.8t	2t	2.5t	3t	3.5t	3.8t
mm	mm	mm	mm	mm	mm	mm	mm	mm	mm	mm	mm	mm	mm	mm	mm	mm	mm	mm	mm	mm	mm	mm	mm	mm	(°)	(°)	(°)	(kg)	(kg)	(kg)	(kg)	(kg)	
2000	1495	1495	1570	1625	1625	3005	3005	3185	3185	3185	2695	2695	2725	2725	2735	135	135	135	140	145	135	135	135	140	145	6/12	6°/12°	6°/12°	2000	2500	3000	3500	3800
2500	1745	1745	1820	1875	1875	3505	3505	3685	3685	3685	3195	3195	3225	3225	3235	135	135	135	140	145	135	135	135	140	145	6/12	6°/12°	6°/12°	2000	2500	3000	3500	3800
2700	1845	1845	1920	1975	1975	3705	3705	3885	3885	3885	3395	3395	3425	3425	3435	135	135	135	140	145	135	135	135	140	145	6/12	6°/12°	6°/12°	2000	2500	3000	3500	3800
3000	1995	1995	2070	2125	2125	4005	4005	4185	4185	4185	3695	3695	3725	3725	3735	135	135	135	140	145	135	135	135	140	145	6/12	6°/12°	6°/12°	2000	2500	3000	3500	3800
3300	2145	2145	2220	2275	2275	4305	4305	4485	4485	4485	3995	3995	4025	4025	4035	135	135	135	140	145	135	135	135	140	145	6/12	6°/12°	6°/12°	2000	2500	3000	3500	3800
3500	2245	2245	2320	2375	2375	4505	4505	4685	4685	4685	4195	4195	4225	4225	4235	135	135	135	140	145	135	135	135	140	145	6/12	6°/12°	6°/12°	2000	2500	3000	3500	3800
3600	/	/	2370	2425	/	/	/	4785	4785	/	/	/	4325	4325	/	/	/	135	140	/	/	/	135	140	/	/	6°/12°	6°/12°	/	/	3000	3500	/
3700	2345	2345	2420	2475	2475	4705	4705	4885	4885	4885	4395	4395	4425	4425	4435	135	135	135	140	145	135	135	135	140	145	6/12	6°/12°	6°/12°	2000	2500	3000	3500	3800
3800	/	/	2470	2525	2525	/	/	4985	4985	4985	/	/	4525	4525	4535	/	/	135	140	145	/	/	135	140	145	/	6°/12°	6°/12°	/	/	3000	3500	3600
4000	2545	2545	2620	2675	2675	5105	5105	5185	5185	5185	4795	4795	4725	4725	4735	135	135	135	140	145	135	135	135	140	145	6/12	6°/12°	6°/12°	2000	2500	3000	3200	3700
4250	2670	2670	2745	2800	2800	5355	5355	5435	5435	5435	5045	5045	4975	4975	4985	135	135	135	140	145	135	135	135	140	145	6/8	6°/8°	6°/8°	*1900	*2250	*2850	*3100	*3500
4500	2795	2795	2870	2925	2925	5605	5605	5685	5685	5685	5295	5295	5225	5225	5235	135	135	135	140	145	135	135	135	140	145	6/8	6°/8°	6°/8°	*1800	*2150	*2750	*3000	*3400
4750	2920	2920	2995	3050	3050	5855	5855	5935	5935	5935	5545	5545	5475	5475	5485	135	135	135	140	145	135	135	135	140	145	6/8	6°/8°	6°/8°	*1700	*2050	*2650	*2900	*3300
5000	3045	3045	3120	3175	3175	6105	6105	6185	6185	6185	5795	5795	5725	5725	5735	135	135	135	140	145	135	135	135	140	145	6/8	6°/8°	6°/8°	*1600	*1950	*2550	*2800	*3200
5500	3345	3345	3420	3475	3475	6705	6705	6685	6685	6685	6395	6395	6225	6225	6235	135	135	135	140	145	135	135	135	140	145	6/8	6°/8°	6°/8°	*1600	*1950	*2450	*2700	*3100
6000	3595	3595	3670	3725	3725	7205	7205	7185	7185	7185	6895	6895	6725	6725	6735	135	135	135	140	145	135	135	135	140	145	3/6	3°/6°	3°/6°	*1500	*1800	*2200	*2300	*2600

Note: ① The lifting weight is reduced by 100KG when equipped with built-in side shifter, and 200KG when equipped with external side shifter; ② be matched with 7.5m and 8m mast.

2.0-3.8t Full Free 2-Stage Mast

Maximum lifting height	Height of mast															Free lift height										Mast tilt angle			rated load				
	The height of mast at lowest position					mast extension height										with load-backrest					without load-backrest					Front/Rear			Load center distance500mm				
						with load-backrest					without load-backrest																						
	2t	2.5t	3t	3.5t	3.8t	2t	2.5t	3t	3.5t	3.8t	2t	2.5t	3t	3.5t	3.8t	2t	2.5t	3t	3.5t	3.8t	2t	2.5t	3t	3.5t	3.8t	2/2.5t	3/3.5t	3.8t	2t	2.5t	3t	3.5t	3.8t
mm	mm	mm	mm	mm	mm	mm	mm	mm	mm	mm	mm	mm	mm	mm	mm	mm	mm	mm	mm	mm	mm	mm	mm	mm	(°)	(°)	(°)	(kg)	(kg)	(kg)	(kg)	(kg)	
2000	1495	1495	1625	1625	1625	3005	3005	3175	3175	3175	2670	2670	2775	2775	2775	530	530	485	490	490	865	865	885	890	890	6/12	6°/12°	6°/12°	2000	2500	3000	3500	3800
2250	1620	1620	1750	1750	1750	3255	3255	3425	3425	3425	2920	2920	3025	3025	3025	655	655	610	615	615	990	990	1010	1015	1015	6/12	6°/12°	6°/12°	2000	2500	3000	3500	3800
2500	1745	1745	1875	1875	1875	3505	3505	3675	3675	3675	3170	3170	3275	3275	3275	780	780	735	740	740	1115	1115	1135	1140	1140	6/12	6°/12°	6°/12°	2000	2500	3000	3500	3800
2700	1845	1845	1975	1975	1975	3705	3705	3875	3875	3875	3370	3370	3475	3475	3475	880	880	835	840	840	1215	1215	1235	1240	1240	6/12	6°/12°	6°/12°	2000	2500	3000	3500	3800
3000	1995	1995	2125	2125	2125	4005	4005	4175	4175	4175	3670	3670	3775	3775	3775	1030	1030	985	990	990	1365	1365	1385	1390	1390	6/12	6°/12°	6°/12°	2000	2500	3000	3500	3800
3300	2145	2145	2275	2275	2275	4310	4310	4475	4475	4475	3975	3975	4075	4075	4075	1180	1180	1135	1140	1140	1515	1515	1535	1540	1540	6/12	6°/12°	6°/12°	2000	2500	3000	3500	3800
3500	2245	2245	2375	2375	2375	4505	4505	4675	4675	4675	4170	4170	4275	4275	4275	1280	1280	1235	1240	1240	1615	1615	1635	1640	1640	6/12	6°/12°	6°/12°	2000	2500	3000	3500	3800
3700	2345	2345	2475	2475	2475	4705	4705	4875	4875	4875	4370	4370	4475	4475	4475	1380	1380	1335	1340	1340	1715	1715	1735	1740	1740	6/12	6°/12°	6°/12°	2000	2500	3000	3500	3800
4000	2545	2545	2675	2675	2675	5005	5005	5175	5175	5175	4670	4670	4775	4775	4775	1580	1580	1535	1540	1540	1915	1915	1935	1940	1940	6/12	6°/12°	6°/12°	2000	2500	3000	3200	3700

Note: ① The lifting weight is reduced by 100KG when equipped with built-in side shifter, and 200KG when equipped with external side shifter; ② be matched with 7.5m and 8m mast.

2.0-3.8t Full Free 3-Stage Mast

Maximum lifting height	Height of mast															Free lift height										Mast tilt angle			rated load				
	The height of mast at lowest position					mast extension height										with load-backrest					without load-backrest					Front/Rear			Load center distance500mm				
						with load-backrest					without load-backrest																						
	2t	2.5t	3t	3.5t	3.8t	2t	2.5t	3t	3.5t	3.8t	2t	2.5t	3t	3.5t	3.8t	2t	2.5t	3t	3.5t	3.8t	2t	2.5t	3t	3.5t	3.8t	2/2.5t	3/3.5t	3.8t	2t	2.5t	3t	3.5t	3.8t
mm	mm	mm	mm	mm	mm	mm	mm	mm	mm	mm	mm	mm	mm	mm	mm	mm	mm	mm	mm	mm	mm	mm	mm	mm	(°)	(°)	(°)	(kg)	(kg)	(kg)	(kg)	(kg)	
2900	/	/	1635	1635	/	/	/	4085	4085	/	/	/	3675	3675	/	/	/	495	500	/	/	/	910	915	/	/	6/8	6/8	/	/	2900	3350	/
3200	/	/	/	/	1735	/	/	/	/	4385	/	/	/	/	3975	/	/	/	600	/	/	/	/	1015	/	/	6/8	6/8	/	/	/	/	3800
3600	1845	1845	1870	1870	1870	4605	4605	4785	4785	4785	4290	4290	4375	4375	4375	880	880	730	735	735	1195	1195	1145	1150	1150	6/8	6/8	6/8	2000	2400	2900	3250	3800
4000	1995	1995	2020	2020	1995	5005	5005	5185	5185	5185	4690	4690	4775	4775	4775	1030	1030	880	885	880	1345	1345	1295	1300	1275	6/8	6/8	6/8	1900	2400	2900	3250	3700
4350	2095	2095	2120	2120	2125	5355	5355	5535	5535	5535	5040	5040	5125	5125	5125	1130	1130	980	985	990	1445	1445	1395	1400	1405	6/8	6/8	6/8	*1850	*2200	*2850	*2900	*3500
4500	2145	2145	2170	2170	2170	5505	5505	5685	5685	5685	5190	5190	5275	5275	5275	1180	1180	1030	1035	1035	1495	1495	1445	1450	1450	6/8	6/8	6/8	*1750	*2150	*2750	*2800	*3400
4700	2210	2210	2230	2230	2235	5700	5700	5885	5885	5885	5385	5385	5475	5475	5475	1245	1245	1090	1095	1100	1560	1560	1505	1510	1515	6/8	6/8	6/8	*1800	*2200	*2800	*2900	*3200
4800	2245	2245	2270	2270	2270	5805	5805	5985	5985	5985	5490	5490	5575	5575	5575	1290	1290	1130	1135	1135	1605												



[f](#) [@](#) [d](#) [in](#)

www.bluematerialhandling.com [1300 80 58 75](tel:1300805875)