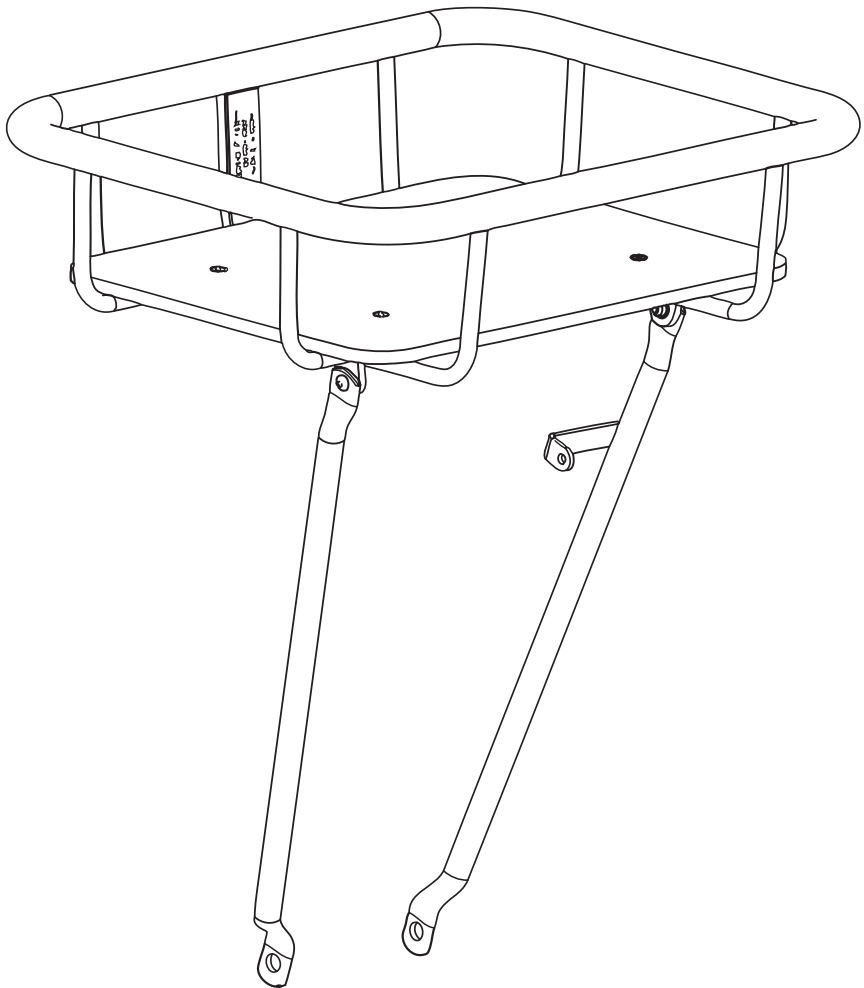
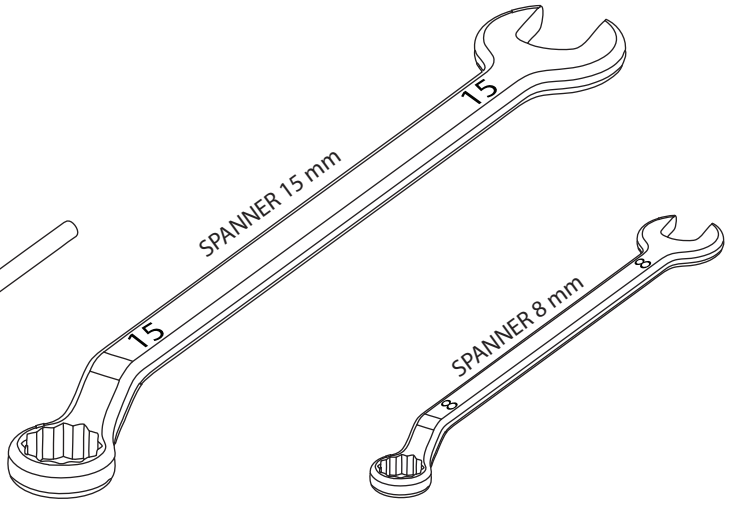
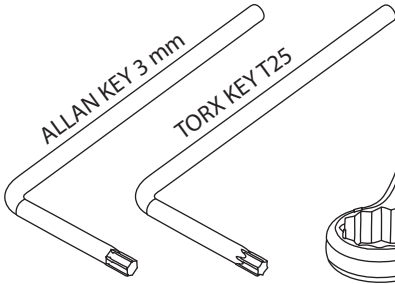
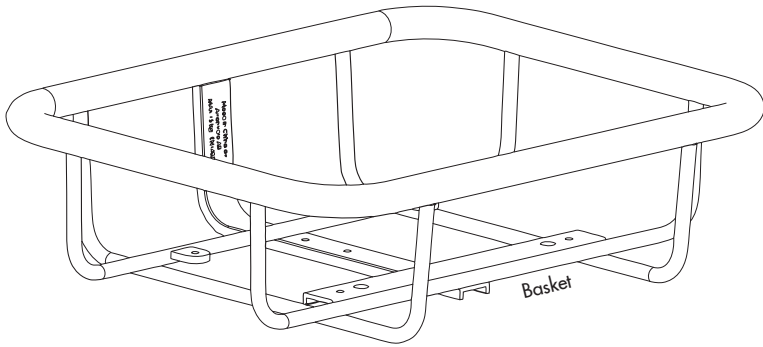


Front carrier

CARGO JUMBO BASKET

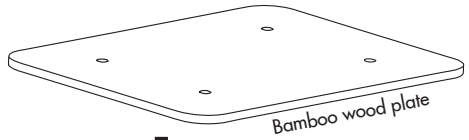






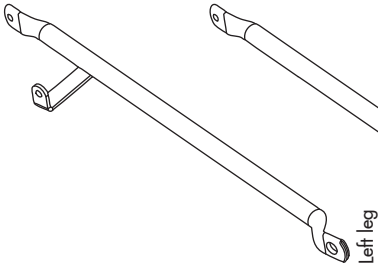
Basket

1x



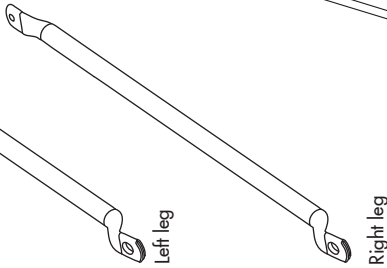
Bamboo wood plate

1x



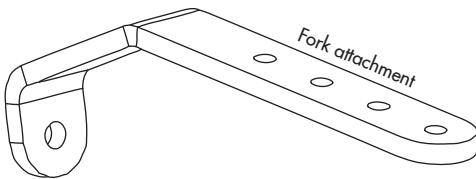
Left leg

1x



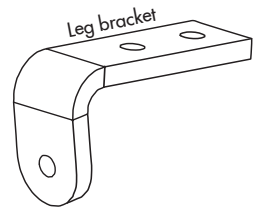
Right leg

1x



Fork attachment

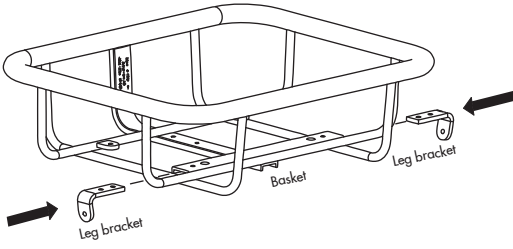
1x



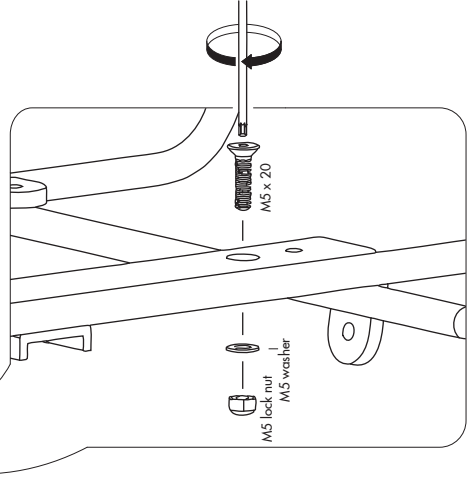
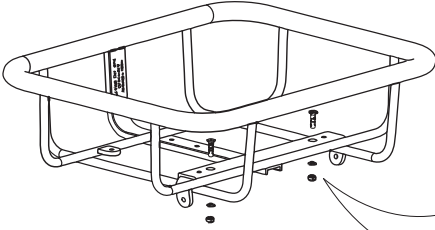
Leg bracket

1x

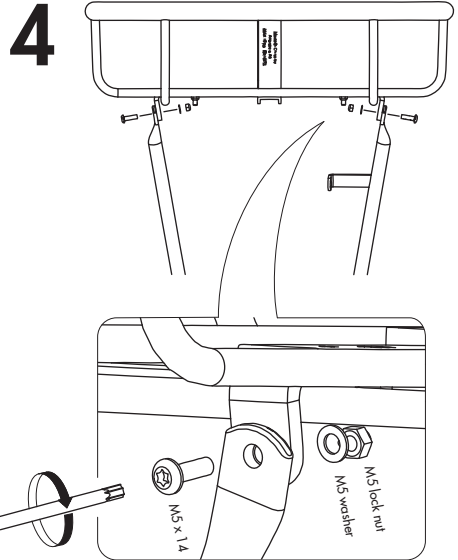
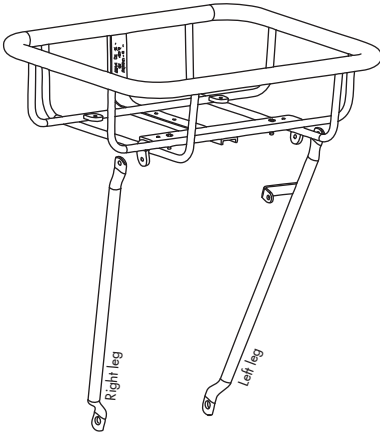
1



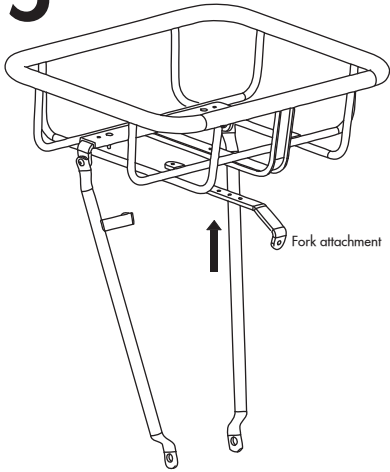
2



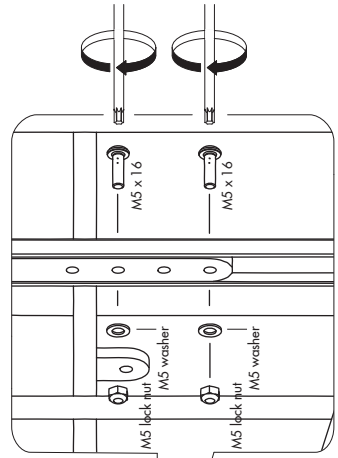
3



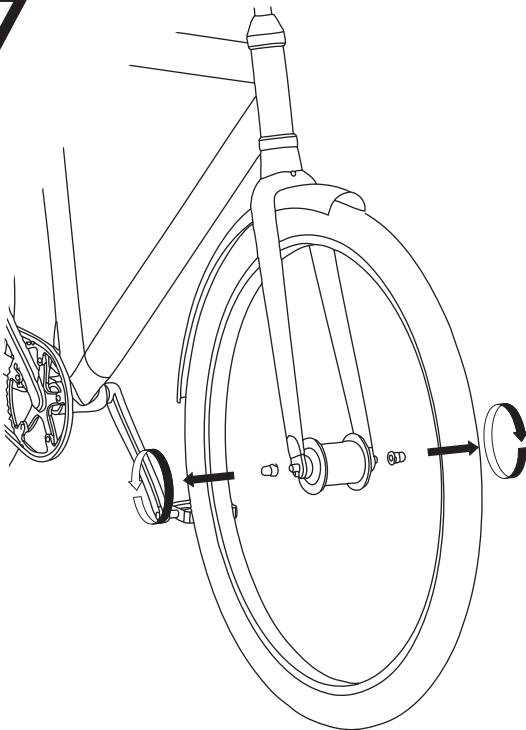
5



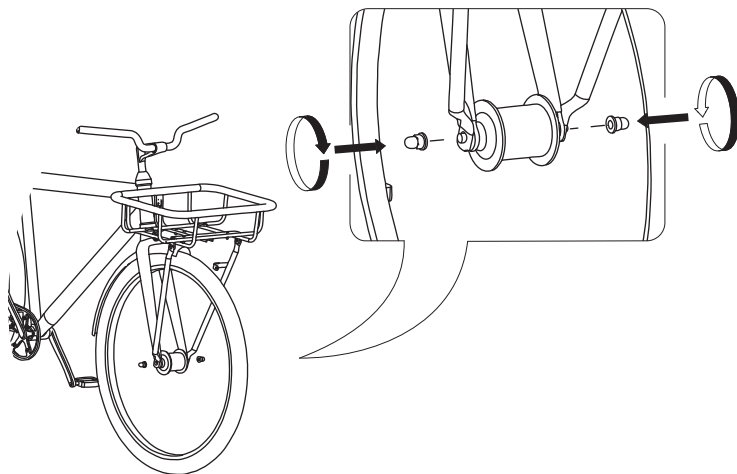
6



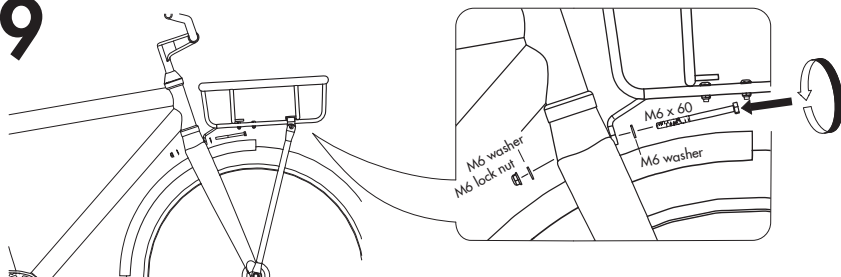
7



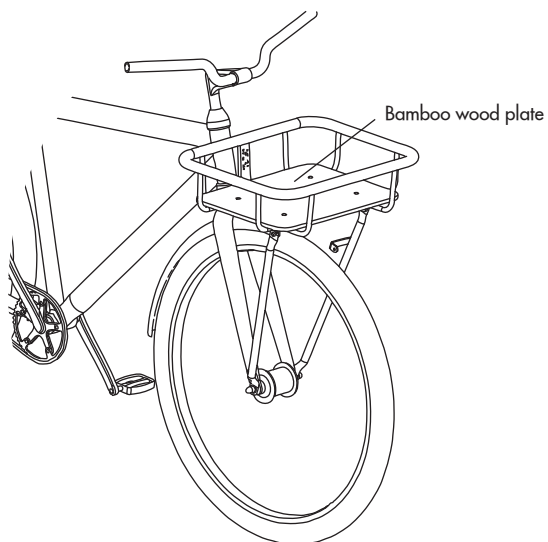
8



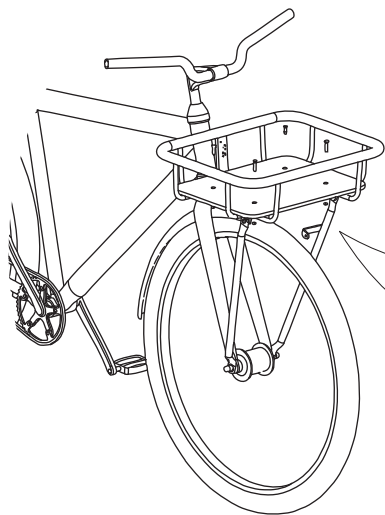
9



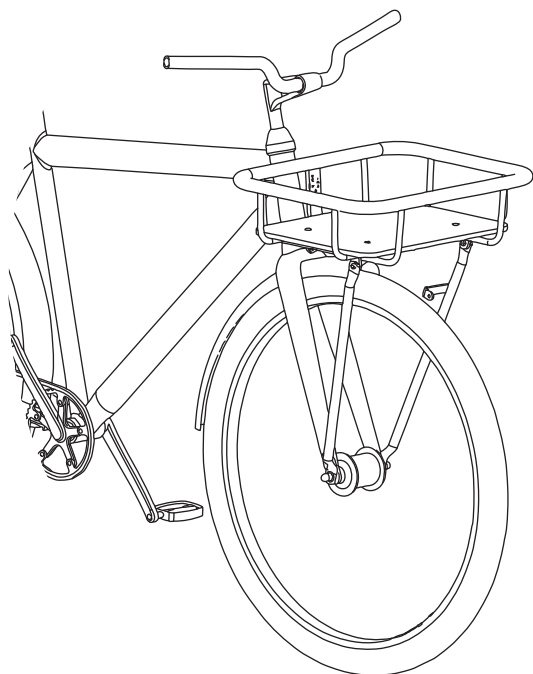
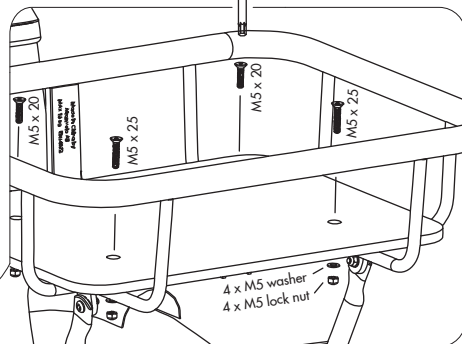
10



11



4x



Warning: Always check the geometric data and the strength of the bicycle on which the luggage is to be mounted, are compatible with the luggage carrier specification.

Warning: The bicycle will behave differently, special steering and breaks when the luggage carrier is loaded. Always try out the bicycle on a secure place before a ride in the traffic.

Warning: Ensure that the luggage fitted to the luggage carrier is securely attached and that there are no loose straps that can get caught in the front wheel. Check before the bicycle rides that lamps and/or reflexes not is covered when the luggage is fitted on the luggage carrier. Try always to distribute the luggage as evenly as possible on the carrier.

Warning: Do not modify or rebuild the luggage carrier.

The maximum load capacity on this front luggage carrier is **10 Kilo**. This front luggage carrier is not designed or suitable for a child seat. This front carrier is tested and approved according to **EN14872**

This luggage carrier shall only be mounted and used for which it is designed.

Follow the instruction careful.

Be in the habit to frequently check all fasteners and visible damage on the luggage carrier.

ATRANVELO AB

Vinbergsvägen 4
SE-311 50 Falkenberg,
Sweden

www.atranvelo.com

Bamboo: The Eco-Friendly Alternative

Care Guide for DUO, EPIC, QB, BAKERY, JOBAG, and our other Bamboo Products.

Thank you for purchasing one of our bamboo products.

Bamboo is a crucial element in the balance of oxygen and carbon dioxide in the atmosphere, which has been a hot topic of discussion for decades. One of the biggest environmental benefits of bamboo is its ability to absorb carbon dioxide and produce oxygen. Compared to an equivalent tree mass, bamboo produces 35% more oxygen.

Some species of bamboo grow more than one meter a day! Its rapid growth rate means that bamboo trunks can be harvested every year, without reducing the size of the forest. It will grow a new shoot from its extensive root system with no need for additional planting or cultivation. The constant foliage also reduces the sun's radiation to the ground and dampens evaporation in our rainforests.

Bamboo is an incredibly strong and versatile material, but it should still be cared for and looked after. Proper use, treatment, maintenance, and care can ensure excellent durability and longevity. To make sure your bamboo product maintains its strength and natural beauty for many years to come, we recommend you follow these guidelines.

Excessive exposure to direct sunlight can potentially cause the bamboo to fade and dry out, so ensure you store them in a cool, dry place.

Moisture can damage bamboo fibers and reduce your product's longevity. It can cause mold stains and, in the worst case, rot. Being mindful of bamboo's exposure to water from precipitation or humidity can help prevent fungal infections.

Cleaning should be done with mild soap and a damp cloth, after which it is important to dry off. When the bamboo plate is completely dry, use a light oil to permeate the hard surface of the bamboo (Ex. Owatrol's Textrol or Le Tonkinois Bio Impression). Allow to dry, then wipe off any excess oil with a clean cloth.

If infested by mold, you can clean and remove it yourself by using various cleaning products available in most hardware stores and supermarkets (Ex. Boracol). However, these products will not neutralize the toxins from the mold spores in the air, so if not maintained and oiled regularly, mold may reoccur.