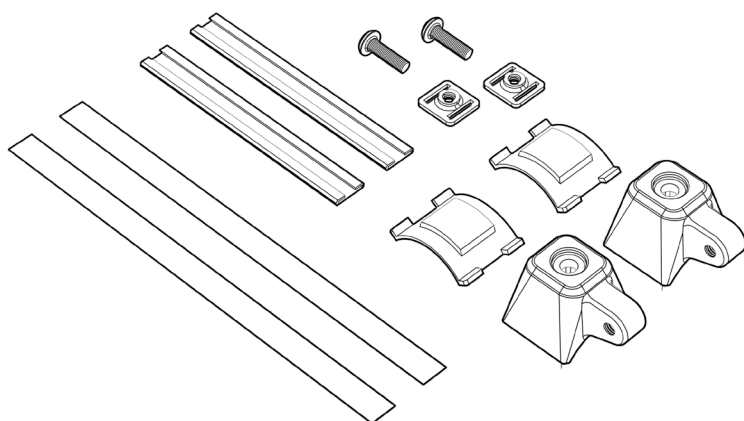
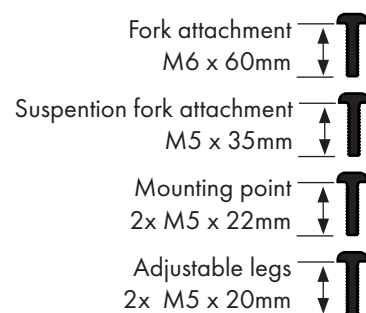
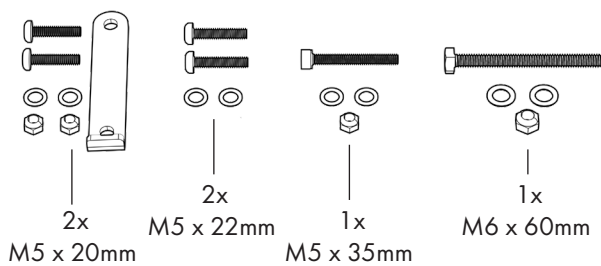
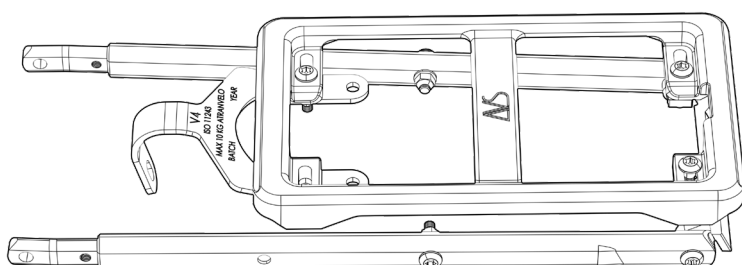
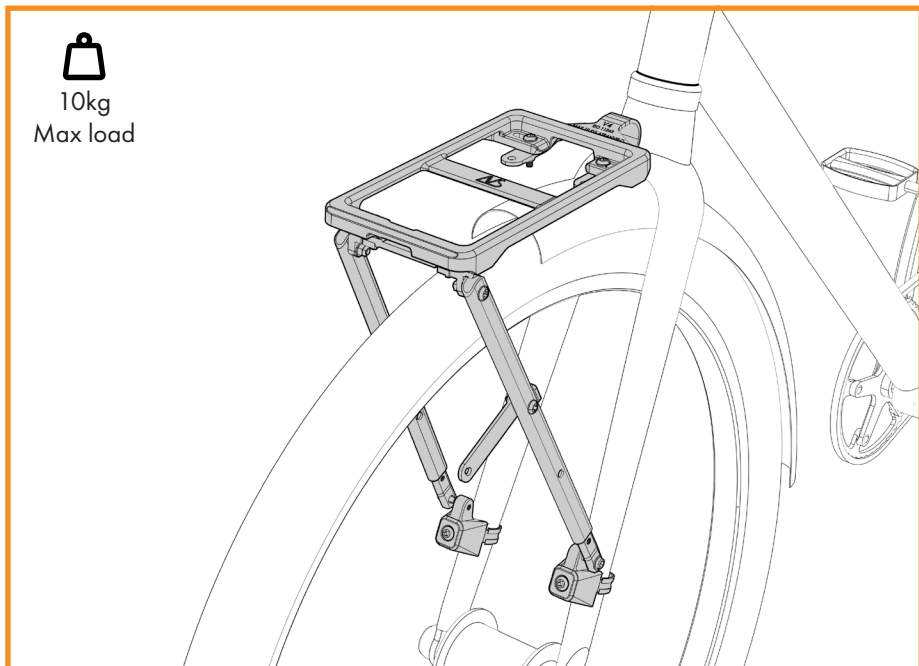


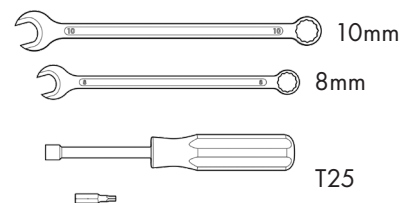
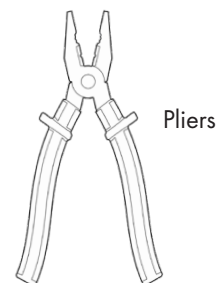
HYBRID UNI

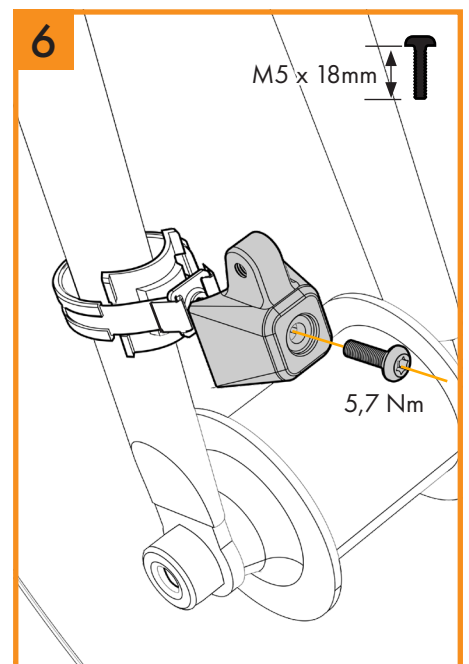
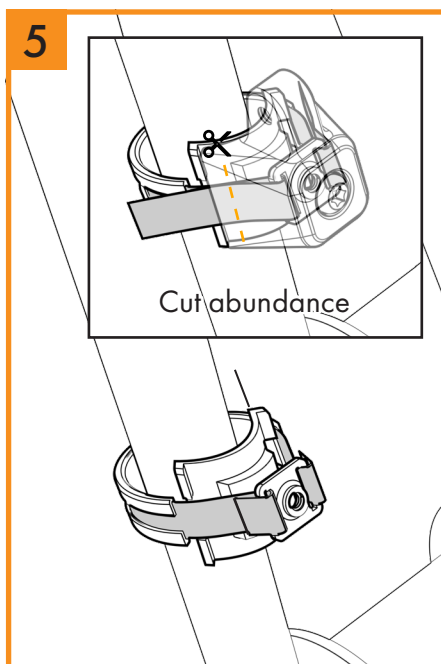
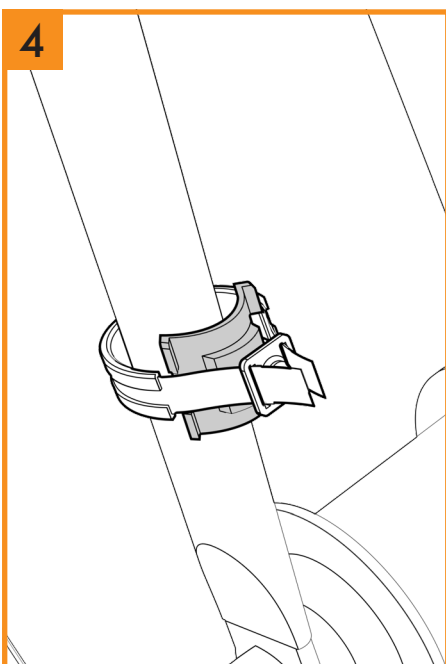
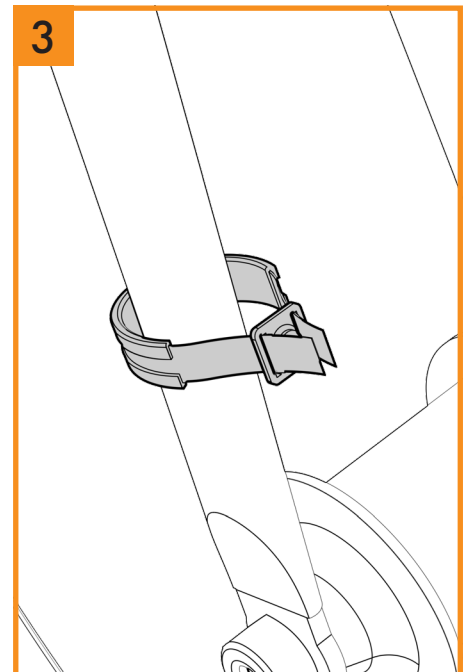
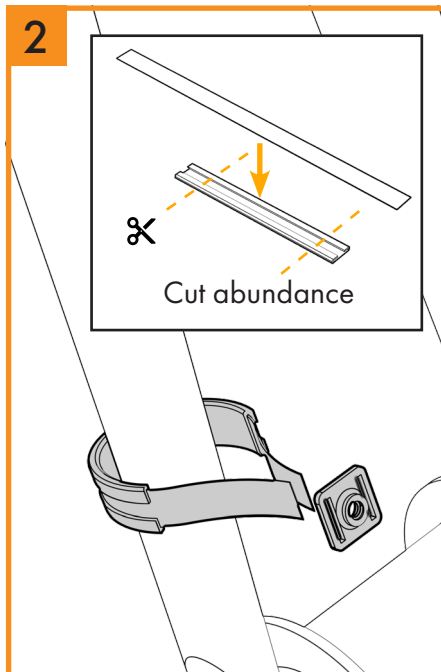
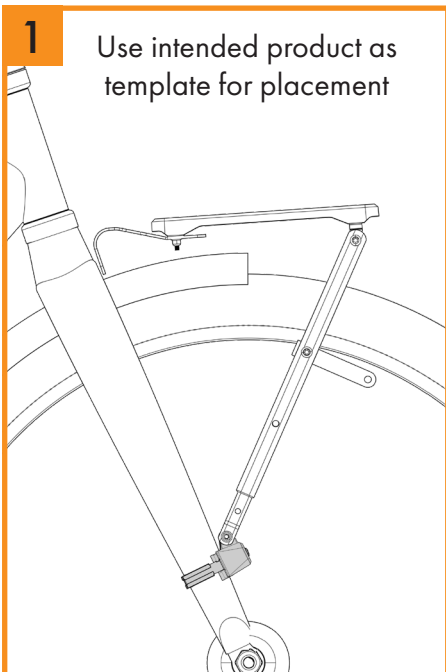
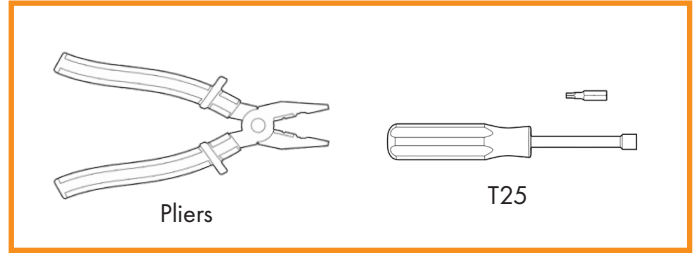
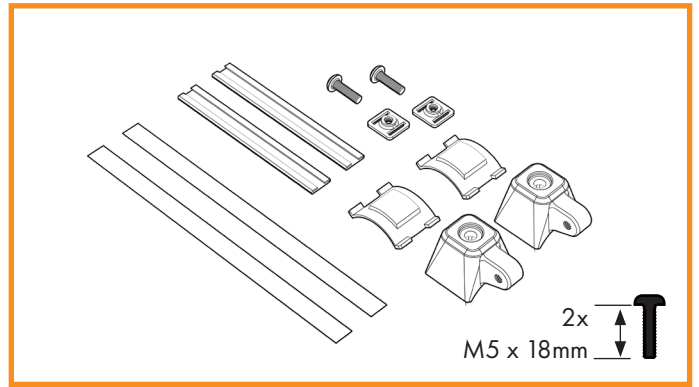
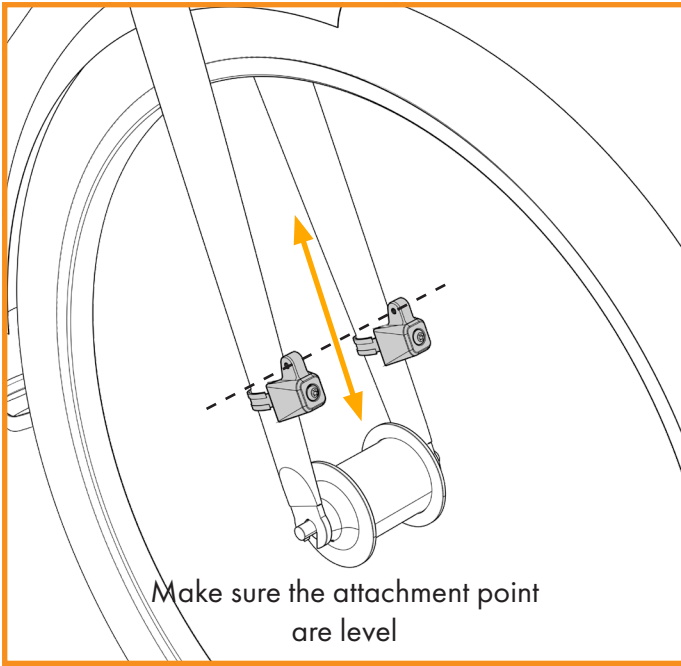
AtranVelo AB
Vinbergsvägen 4
311 50 Falkenberg
info@atranvelo.com


10kg
Max load

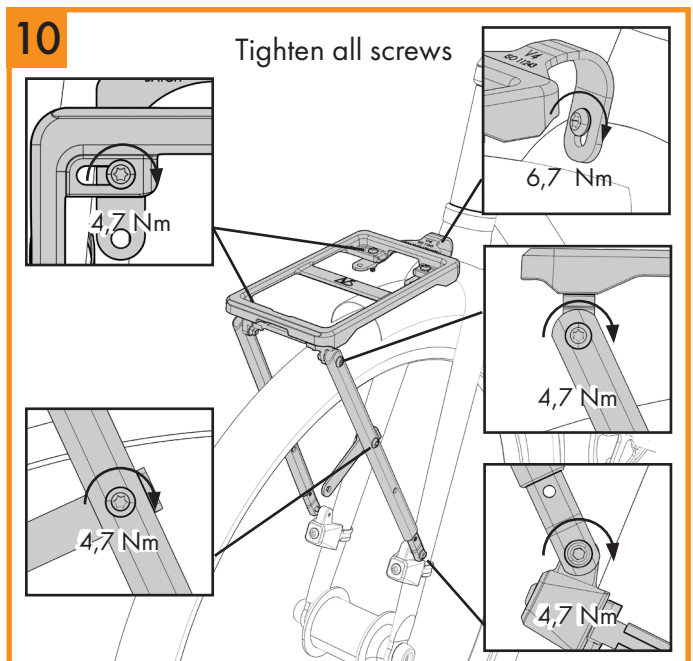
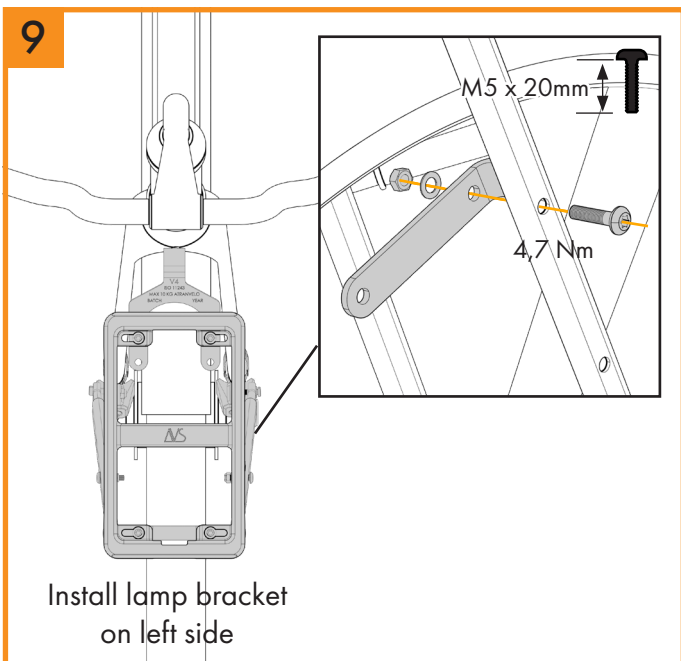
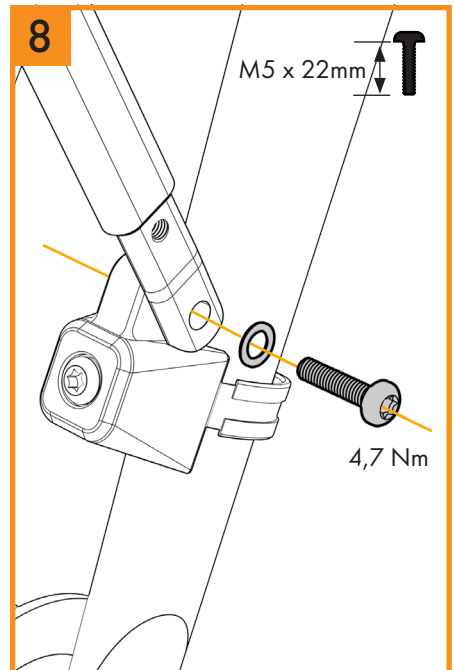
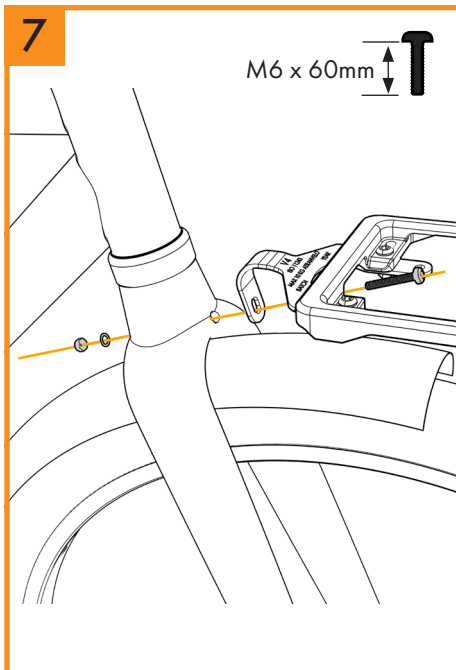
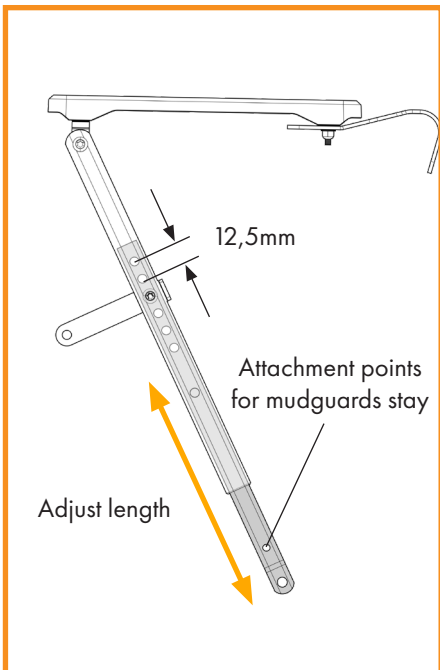
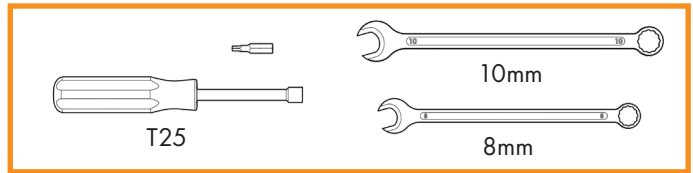
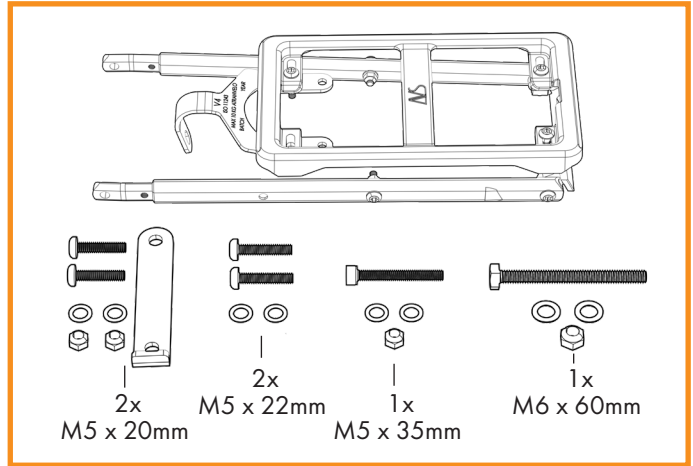
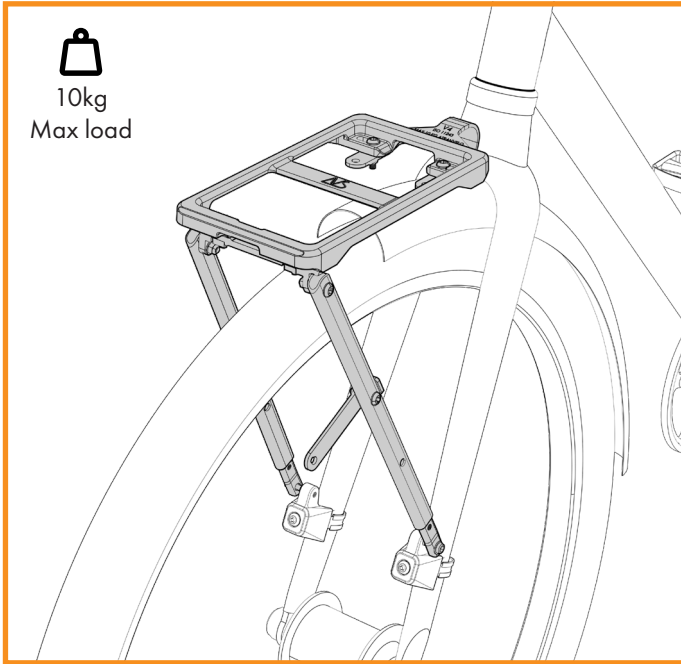


Multi fix kit screws
2x M5 x 18mm





10kg
Max load



Safety instructions HYBRID UNI.



It is mandatory to read these safety instructions. Failure to follow the instructions and assembly instructions may result in serious injury to the cyclist.

NOTE: This product contains small parts such as fasteners and plastic bags. Keep them out of reach for children, as there is a risk of suffocation.

To ensure that the rack is the safest way to transport luggage on a bicycle, this information must be understood and followed. The basic rule is to check the rack regularly to avoid any problems that may arise. It is **particularly important** to carry out a thorough check of the bicycle, rack, and any mounted accessories before starting your bike ride. In other words, every time before you start your bike ride, make sure that the bike complies with all traffic regulations applicable in the country you are cycling in and that the bike and its accessories are mounted and checked according to each manufacturer's instructions.

- a) **WARNING:** Check that the geometric specifications and strength of the bicycle on which the rack is to be mounted are compatible with the rack's specifications.
- b) The rack must be mounted at the front of the bicycle at the designated mounting points on the front fork using the Multi Fix kit. Read and understand the mounting instructions before starting the installation. The mounting instructions describe which fasteners to use and where to use them, as well as the recommended tightening torques. The Multi Fix kit can accommodate front forks between 28 mm and 38 mm in diameter.
 - **IMPORTANT:** After mounting, carefully check that everything is tightened properly by pulling and shaking the luggage rack. Then look and feel each mounting point to ensure that they are intact and that the rack is still securely mounted.
- c) **The maximum load capacity of this rack is 10 kg.** Never exceed the maximum permitted load. Not approved for bicycle child seats. **See point r) for more information.**
- d) Never exceed the maximum permissible load on the bike. Information about the bike's total maximum load weight can be found in the bike's user manual, or you can contact your bike brand's customer portal for the correct information.
- e) **IMPORTANT:** Before each bike ride, check that the rack is securely fastened in accordance with the installation instructions and these safety instructions, that no fasteners are loose, and that no part of the rack is broken. This also applies to all accessories mounted on the rack.
- f) **WARNING:** The rack is the safest way to transport luggage on a bicycle. Before starting your bike ride, check that no straps or other parts of the luggage can get caught in the wheels during the ride.
- g) **WARNING:** The rack must not be modified or altered under any circumstances.
- h) The rack is not intended for pulling bicycle trailers or similar products.
- i) **WARNING:** The bike handles differently when the rack is loaded. Test ride the bike in a safe place before riding in traffic. Be aware that steering and braking are particularly affected when the luggage rack is loaded. Never exceed the maximum load capacity of the luggage rack or the bike.
- j) **WARNING:** Ensure that luggage mounted on the rack complies with the manufacturer's specific instructions and that there are no loose straps or other parts that could get caught in the wheel while cycling.
- k) Lights or reflectors should be mounted in the designated location on the rack, if available. Ensure that the light and/or reflector are approved in the country where you are cycling. Before cycling, ensure that luggage or other mounted objects do not obscure the lights and/or reflectors during the ride.
- l) Always distribute the luggage evenly across the rack's loading area or in the AVS accessories. Make sure you do not exceed the maximum load capacity of the rack, accessories, or bicycle.
- m) Aftermarket rack are not bike-specific and the requirement for specific measurements or size requirements cannot be provided. The shape and placement of the attachment points on the front fork of the bicycle and the geometry of the bicycle frame are crucial in determining whether or not the aftermarket rack will fit. If you are in any doubt, contact your place of purchase/bicycle brand dealer for professional assistance.
- n) It is not possible to provide information about the maximum platform height measured from the wheel axle to the load surface of the rack. How it fits depends entirely on the shape and placement of the mounting points on the front fork of the bicycle and the geometry of the bicycle frame, which are crucial in determining whether or not the aftermarket rack will fit. If you are in any doubt, contact your place of purchase/bike brand dealer for professional assistance.
- o) Manufacturer: AtranVelo AB, Vinbergsvägen 4, 311 50 Falkenberg, Sweden. Brand: AtranVelo. Model: HYBRID UNI.
- p) The type(s) of bicycle(s) for which the rack are intended are vehicles that have at least two wheels and are propelled solely or mainly by the muscular energy of the person on the vehicle, in particular by means of pedals, or are equipped with pedals and an auxiliary motor, which cannot be propelled solely by means of this auxiliary motor, except in a starting assistance mode.
- q) Point q) does not apply to this rack.
- r) **No** bicycle child seats or similar products are compatible with this rack and therefore may not be used on the rack.

MAINTENANCE: When washing your bike, make sure to thoroughly clean the rack as well. Follow the recommendations in your bike manual regarding cleaning agents. After washing, dry the rack and carefully check that nothing is broken on the rack or its accessories. If there is damage to the paintwork, touch it up with a small brush using a color that matches the luggage rack in a paint designed for aluminum/metal. Remember to clean the area around the damage thoroughly first. Contact your local paint store for more information.

PLEASE NOTE: AtranVelo AB cannot be held responsible for personal injury or damage to the product caused by incorrect installation, incorrect assembly (failure to follow the assembly instructions), improper storage, improper maintenance, misuse, or use that does not comply with the technical or user specifications (failure to follow the assembly instructions and/or safety instructions), or that has occurred due to changes or repairs carried out by you or a third party. If you have any questions, please contact the bicycle shop where you made your purchase so that they can help you.

Important: Keep safety instructions and assembly instructions readily available for future reference.

For more information, visit our website www.atranvelo.com or contact us at info@atranvelo.com