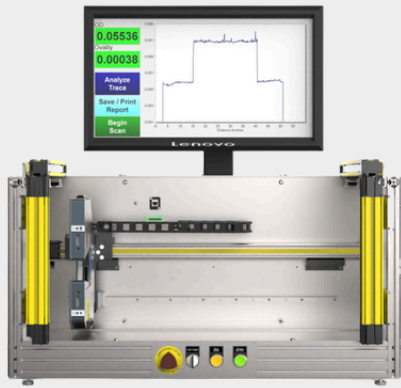


Metron

Off-line Sample Measurement System

<https://laserlinc.com/automated-and-manual-sample-inspection/>

Measurement Parameters	3
Accessories	4-8



Metron Measurement Parameters

Model	Metron L (1829mm or 72")	Metron L (1524mm or 60")	Horizontal Metron
With Triton 330 Gauge	Minimum OD: 0.102mm (0.004") Maximum OD: 29.2mm (1.15") Scan Rate: 300 Hz	Minimum OD: 0.102mm (0.004") Maximum OD: 29.2mm (1.15") Scan Rate: 300 Hz	Minimum OD: 0.102mm (0.004") Maximum OD: 29.2mm (1.15") Scan Rate: 300 Hz
With Triton 312 Gauge	Minimum OD: 0.102mm (0.004") Maximum OD: 11.4mm (0.45") Scan Rate: 600Hz	Minimum OD: 0.102mm (0.004") Maximum OD: 11.4mm (0.45") Scan Rate: 600Hz	Minimum OD: 0.102mm (0.004") Maximum OD: 11.4mm (0.45") Scan Rate: 600Hz
With Axion 222 Gauge	Minimum OD: 0.076mm (0.003") Maximum OD: 21.6mm (0.85") Scan Rate: 400 Hz	Minimum OD: 0.076mm (0.003") Maximum OD: 21.6mm (0.85") Scan Rate: 400 Hz	Minimum OD: 0.076mm (0.003") Maximum OD: 21.6mm (0.85") Scan Rate: 400 Hz
Approximate Dimensions [H x W x D]	2760.58mm X 457.2mm X 609.6mm (108.678" X 18" X 24")	2463.2mm X 457.2mm X 609.6mm (96.976" X 18" X 24")	Custom
Approximate Weight	79.38kg (175lbs)	70.31kg (155lbs)	Varies by Custom Order

01



Spring Loaded Centering Cone: Goes inside the tube to selfcenter and hold product.

- **Materials:** Anodized aluminum, stainless steel
- **Part Number:** 6004-1181-01

02



Magnet V-Block With Adjustable Stop: Steadily holds with out compressing the product with adjustment that allows for precision placement.

- **Materials:** Anodized aluminum, Stainless Steel
- **Part Number:** 6004-1145-01

03



Motorized Part Rotation (MPR): Automated motorized chuck rotates the part to measure up to 360° around the product.

- **Materials:** Anodized aluminum, Stainless Steel
- **Part Number:** 6004-1182-01

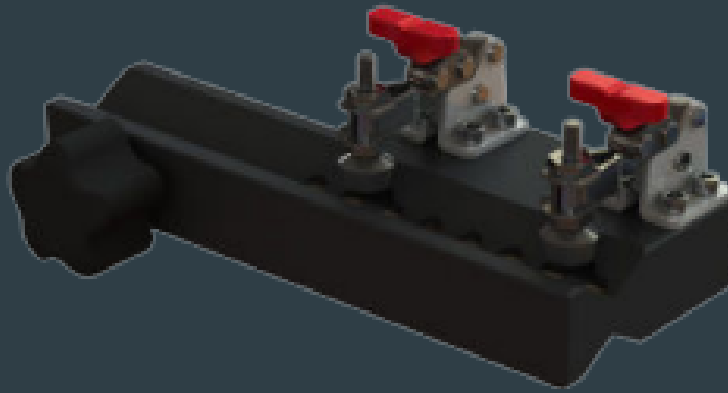
04



Spring Loaded Centering Cup: The spring allows the part holder to remain stationary and push/pull the spring loaded holder away from the product to remove or place.

- **Materials:** Anodized aluminum, Stainless steel
- **Part Number:** 6004-1181-01

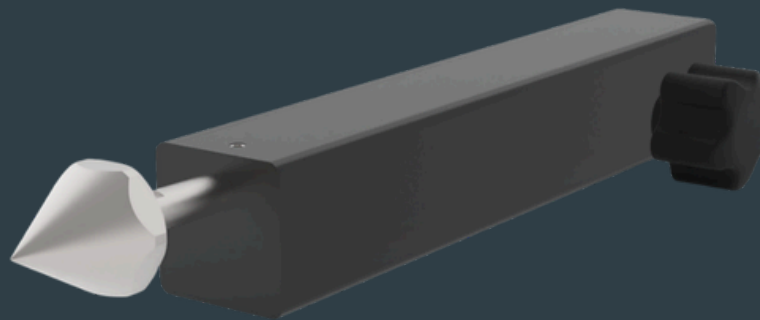
05



Toggle Clamp V-Block: Can support heavier products and adjustments can be made for varying OD. Will clamp onto a product or a mandrel and can supply minimal tension.

- **Materials:** Anodized aluminum and Carbon Steel
- **Part Number:** 6004-1167-01

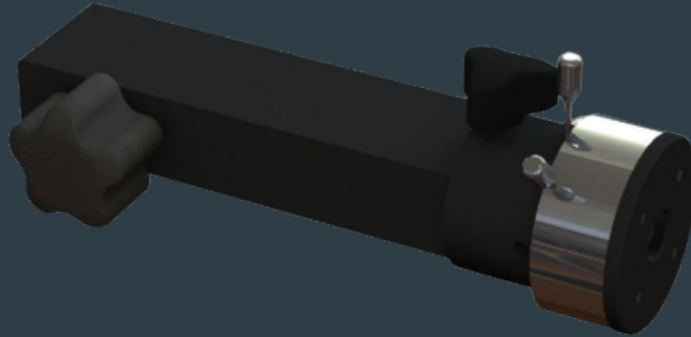
06



Cone Holder: Typically used on the bottom holder. Does not provide any tension. Used for centering the product or mandrel.

- **Materials:** Anodized aluminum
- **Part Number:** 6005-3211-05

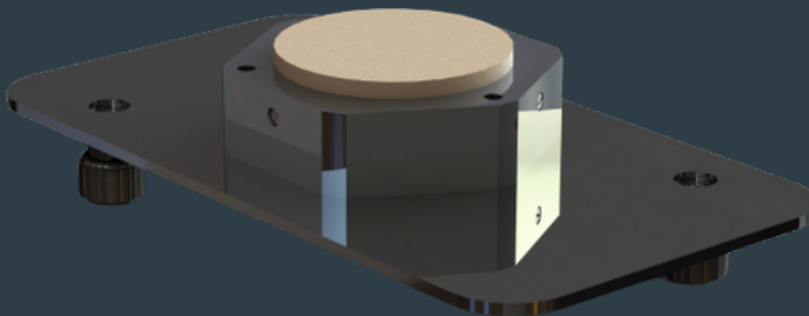
07



1.5" Zero-Chuck: Ideal for varying sizes of products. Not ideal for heavy products. Can supply minimal tension.

- **Materials:** Stainless Steel and anodized aluminum
- **Part Number:** 6004-1125-01

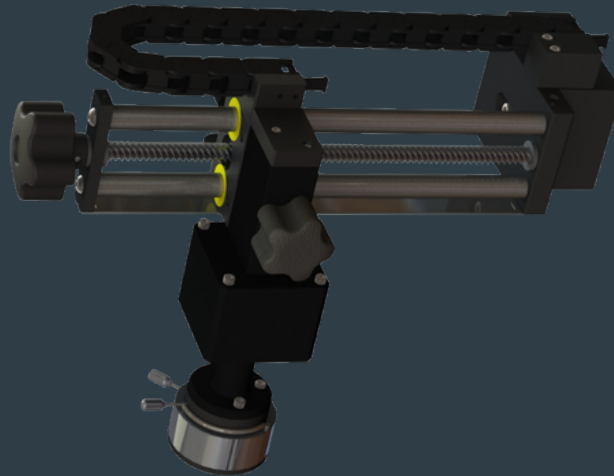
08



Throat Mount Guide: Ideal for keeping a part in the center of the field.

- **Materials:** Delrin and Anodized aluminum
- **Part Number:** 6004-1184-01

*come with one insert and additional inserts can be purchased upon request



09

Motorized Part Holder: Automated motorized part holder with part loading and positioning for longer parts.

- **Materials:** Anodized aluminum and Stainless Steel
- **Part Number:** 6004-1176-01